

## Hawk 3 Temperature Meter / Controller



File # E199939



- All parameters set from easy to understand front panel access
- One, two or four 5-amp relays optional
- 7-segment 4 digit red LED
- Five user-selectable brightness levels
- Activated set point indicators on display
- Min/Max and password lockout
- NEMA 4X rated front panel
- 4-20mA or 0-10 DCV analog retransmission optional
- 1/8 DIN, shallow depth case, 3.24"

### Specifications -

DISPLAY	
Type	7- segment, red LED
Height	0.56" (14.2mm)
Brightness	5 settings, user programmable
Overrange Indication	Display flashes "EEEE" indicating Maximum Value Exceeded
Underrange Indication	Display flashes "-EEE" indicating Minimum Value Exceeded
Resolution	1.0°
Sensor Break	Display reads "EEEE"
Excitation	100mA Max Current

### POWER REQUIREMENTS

AC	85 to 250 VAC/120VAC @ 10VA
DC	9 to 36 DCV @ 10VA

### ACCURACY @ 25°C as % of rdg

Sensor Type	Accuracy	Temperature Range
RTD Pt 100	0.2% ± 2 counts	-200°C to +200°C
J	0.2% ± 2 counts	-100°C to +760°C
K	0.2% ± 2 counts	-200°C to +1250°C
E	0.2% ± 2 counts	-100°C to +800°C
T	0.2% ± 2 counts	-200°C to +400°C

### ENVIRONMENTAL

Operating Temperature	0 to 50°C
Storage Temperature	-10 to +60°C
Relative Humidity	< 80%
Ambient Temp	25°C
Temperature Drift	± 100 ppm /°C ± 0.05 dgt /°C
Warmup time	10 minutes

### NOISE REJECTION

NMRR	60 dB @ 50-60 Hz
CMRR	100 db @ 50-60 Hz

### A TO D CONVERSION

Technique	Successive approximation with oversampling
Sample Rate	10 conversions per second
Display Rate	User Programmable from 1/minute - 8/seconds

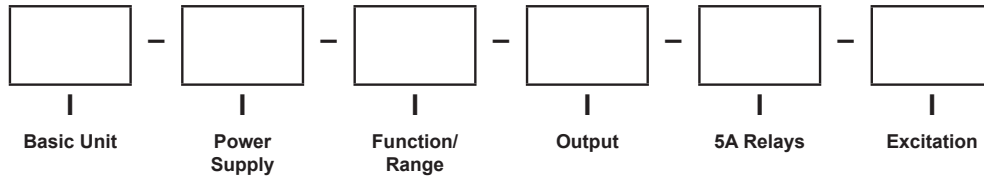
### MECHANICAL

Bezel	3.92" x 2.0" x 0.52" (99.8mm x 51.8mm x 132mm)
Depth	3.24" (82.3mm) behind panel
Panel cutout	3.62" x 1.77" (92mm x 45mm) 1/8 DIN
Weight	10 oz. (283.5 g)
Cover	NEMA 4X Rated front panel

# Hawk 3 Temperature Meter / Controller

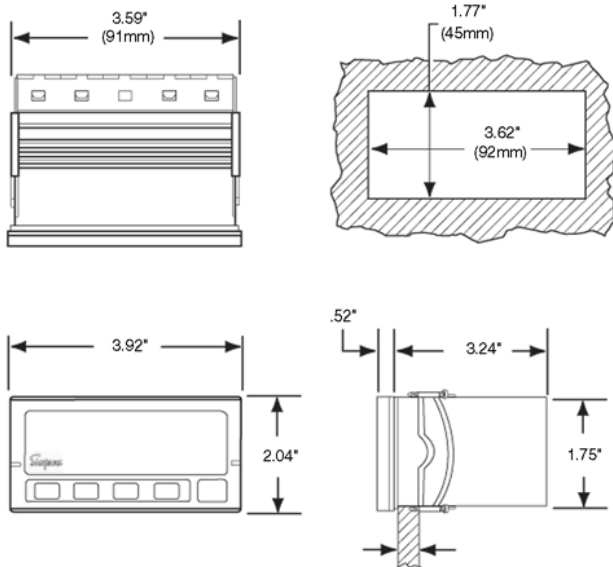
## Ordering Information -

Hawk 3 Indicators can be configured by making an entry into each section. Example: H340-3-91-0-4-1



Select From Each One Below					
<b>Basic Unit</b>		<b>Function/Range</b>		<b>5A Relays</b>	
H340	4 Digit, Red LED	91	J Thermocouple	0	None
		92	K Thermocouple	1	One
<b>Power Supply</b>		93	RTD, PT100 3-wire	2	Two
1	120 ACV	94	E Thermocouple	4	Four
3	9-36 DCV	95	T Thermocouple	<b>Excitation</b>	
4	85-250 ACV	<b>Output</b>		0	None
		0	None	1	12 DCV - 100mA max current
		1	4-20 DCmA	2	24 DCV - 100mA max current
		2	0-10 DCV		

## Installation and Panel Cutout - H335, H340, H345



### Mounting Requirements

The Hawk 3 Advanced Digital Controller 1/8 DIN meters require a panel cutout of 1.77" (45mm) high by 3.62" (92mm) wide.

To install the Hawk 3 meter into a panel cutout, remove the clips from the side of the meter.

Slide the meter through the panel cutout, then slide the mounting clips back on the meter. Press evenly to ensure a proper fit. Tighten screws.

### Engineering Label Placement

To replace the engineering unit label, place the tip of a ballpoint pen into the small hole at the base of the engineering label in the bezel.

Slide the label up until it pops out. Grasp and remove. Slide the new label half the distance in, then use the ballpoint pen to slide it down into place.

