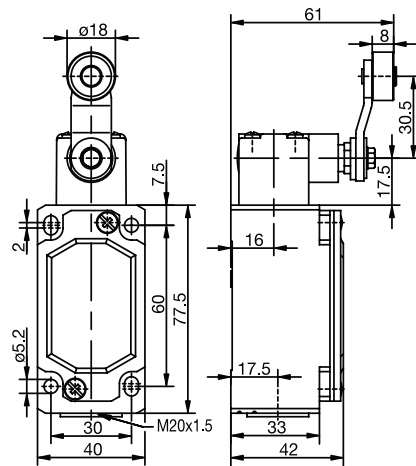


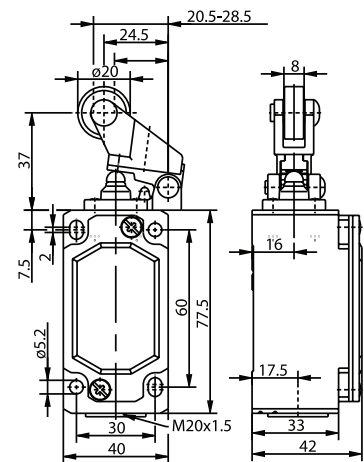
**ENM2 Series**



**AHS-V (Form A)**



**DGHW RO20**



Switching Operation	Slow Action	Snap Action	Slow Action	Snap Action
<b>1 NC / 1 NO Contacts</b>	<b>608.7135.013</b> ENM2-U1Z AHS-V 	<b>608.7385.014</b> ENM2-SU1Z AHS-V 	<b>608.7121.007</b> ENM2-U1Z DGHW RO20 	<b>608.7371.008</b> ENM2-SU1Z DGHW RO20 
<b>2 NC Contacts</b>	<b>608.7835.015</b> ENM2-A2Z AHS-V 	-	<b>608.7821.009</b> ENM2-A2Z DGHW RO20 	-
<b>2 NO Contacts</b>	-	-	-	-
<b>1 NC / 1 NO Contacts Overlapping</b>	-	-	-	-

**Replacement actuator:** **391.8350.729** **391.8211.656**

Technical Information	Slow Action	Snap Action	Slow Action	Snap Action
Maximum Switching Voltage	240V	240V	240V	240V
Max. Switching Amps (up to)*	10A	10A	10A	10A
B10d (up to)*	20 Million	20 Million	20 Million	20 Million
Mechanical Service Life (up to)*	3 x 10 <sup>6</sup>	10 x 10 <sup>6</sup>	10 x 10 <sup>6</sup>	10 x 10 <sup>6</sup>
Switching Frequency	≤ 100/min	≤ 100/min	≤ 100/min	≤ 100/min
Operating Temperature	-30 °C to +80 °C	-30 °C to +80 °C	-30 °C to +80 °C	-30 °C to +80 °C
Protection Rating	IP65	IP65	IP65	IP65
Utilization Category (up to)*	AC-15, Ue/Ue 240V 3A	AC-15, Ue/Ue 240V 3A	AC-15, Ue/Ue 240V 3A	AC-15, Ue/Ue 240V 3A
Rate Insulation Voltage	400VAC	400VAC	400VAC	400VAC

Approvals

**Special features/variants (on request)**  
● Available with different directions