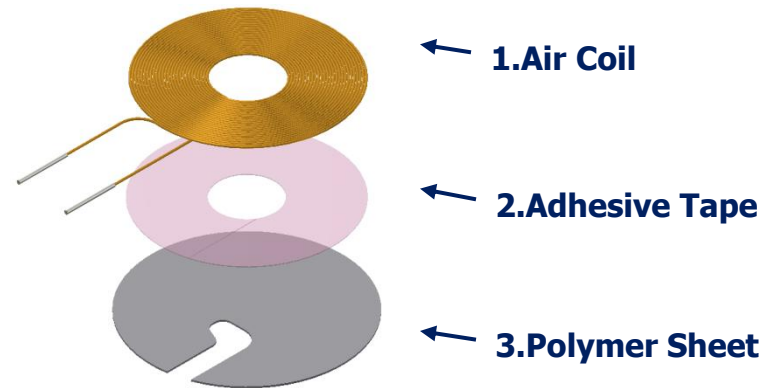
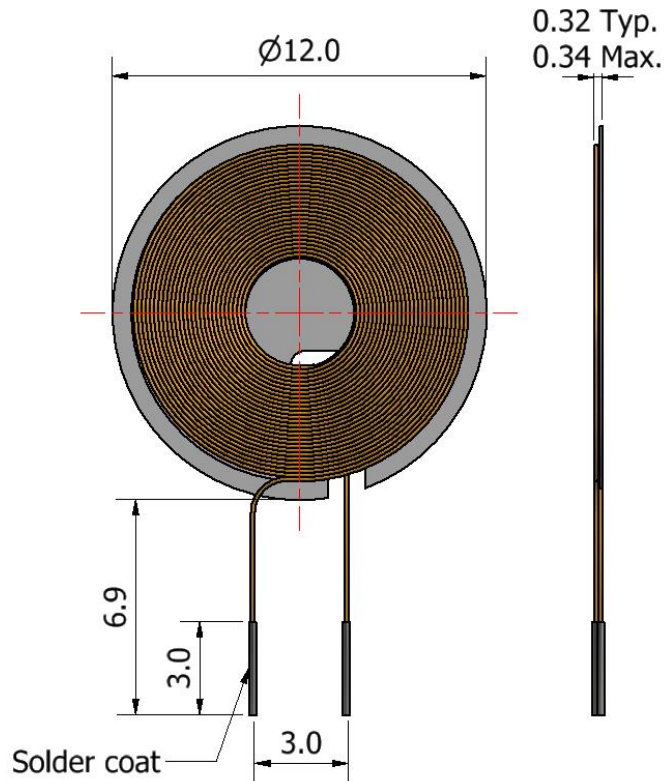


**= Dimension of coil unit =**



**= Electrical Characteristics =**

- Ls [uH] : 8.32 uH +/- 5% @100kHz
- Rs [Ohm] : 0.98  $\Omega$  +/-10% @100kHz
- Rdc [Ohm] : 0.95  $\Omega$  typ