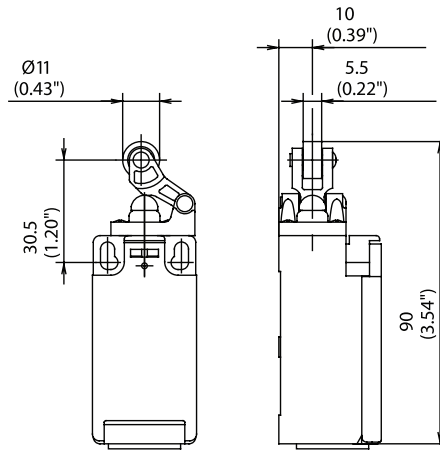


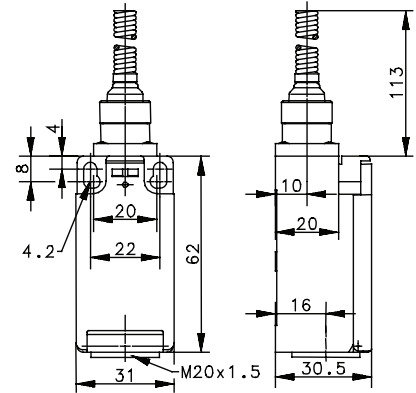
**I88 Series**



**HW RO11 (Form E)**



**FF**

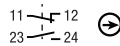


**Switching Operation**

**1 NC / 1 NO Contacts**

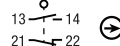
**Slow Action**

**608.6121.021**  
I88-U1Z HW RO11



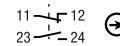
**Snap Action**

**608.6171.022**  
I88-SU1Z HW RO11



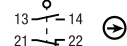
**Slow Action**

**618.6140.217**  
I88-U1 FF



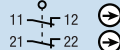
**Snap Action**

**608.6190.078**  
I88-SU1 FF



**2 NC Contacts**

**608.6821.099**  
I88-A2Z HW RO11



-

-

-

**2 NO Contacts**

**608.6821.068**  
I88-E2 HW RO11



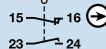
-

-

-

**1 NC / 1 NO Contacts Overlapping**

**608.6321.100**  
I88-UV1Z HW RO11



-

-

-

**Replacement actuator:**

**391.8191.547**

**391.8401.031**

**Technical Information**

	Slow Action	Snap Action
Maximum Switching Voltage	240V	240V
Max. Switching Amps (up to)*	10A	10A
B10d (up to)*	20 Million	20 Million
Mechanical Service Life (up to)*	3 x 10 <sup>6</sup>	10 x 10 <sup>6</sup>
Switching Frequency	≤ 100/min	≤ 100/min
Operating Temperature	-30 °C to +80 °C	-30 °C to +80 °C
Protection Rating	IP65	IP65
Utilization Category (up to)*	AC-15, Ue/Ue 240V 3A	AC-15, Ue/Ue 240V 3A
Rate Insulation Voltage	250VAC	250VAC

	Slow Action	Snap Action
Maximum Switching Voltage	240V	240V
Max. Switching Amps (up to)*	10A	10A
B10d (up to)*	20 Million	20 Million
Mechanical Service Life (up to)*	10 x 10 <sup>6</sup>	10 x 10 <sup>6</sup>
Switching Frequency	≤ 100/min	≤ 100/min
Operating Temperature	-30 °C to +80 °C	-30 °C to +80 °C
Protection Rating	IP65	IP65
Utilization Category (up to)*	AC-15, Ue/Ue 240V 3A	AC-15, Ue/Ue 240V 3A
Rate Insulation Voltage	250VAC	250VAC

Approvals

\* Depending on switching system - see technical information for details



**Special features/variants (on request)**

- Available with black enclosure
- With steel roller
- Different roller diameters

**Special features/variants (on request)**

- Available with black enclosure
- Various spring lengths
- Different spring type or spring rod

Drawing dimensions in mm