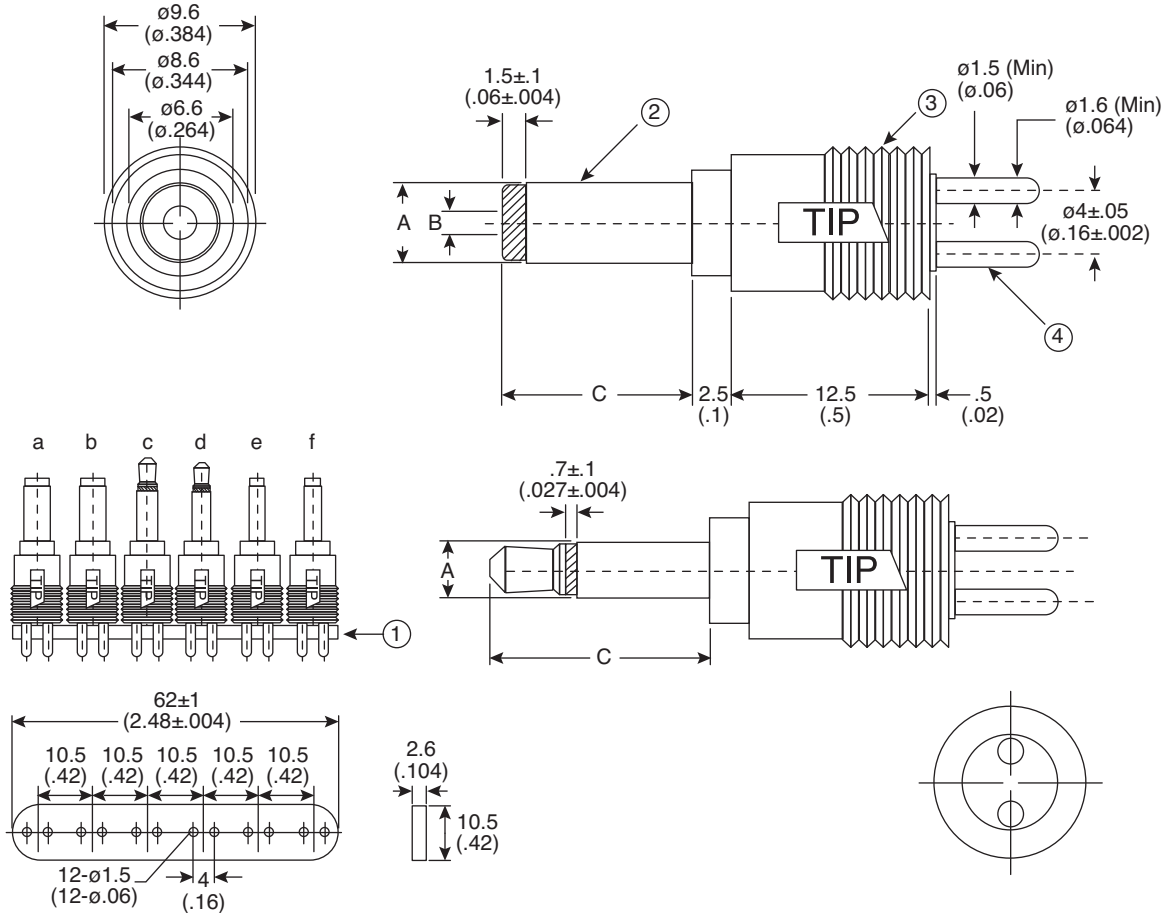


6 Piece Straight Adapter Plugs

173-TIP-1EDAC-2-EX



6 Piece Straight Adapter Plugs



Dimensions: mm (in.)

	Part No.	A	B	C
a	173-4017-ST-EX	ø4.0 (.16)	1.7 (.68)	9.5 (.38)
b	173-3413-ST-EX	ø3.4 (.13)	1.3 (.05)	11.0 (.43)
c	173-25MP-ST-EX	ø2.5 (.09)	---	11.0 (.43)
d	173-35MP-ST-EX	ø3.5 (.14)	---	14.0 (.13)
e	173-5521-ST-EX	ø5.5 (.22)	ø2.1 (.084)	12 (.48)
f	173-5525-ST-EX	ø5.5 (.22)	ø2.5 (.1)	12 (.48)

No.	Material	Plating
1	PVC Black	---
2	Brass	Nickel
3	ABS Black	---
4	Brass	Nickel
RoHS compliant by exemption		

Date Last Revised: 2/3/09

Available from Mouser Electronics
1-800-346-6873 / www.mouser.com

KC-301337

Specifications are subject to change without notice. No liability or warranty implied by this information. Environmental compliance based on producer documentation.

173-TIP-1EDAC-2-EX