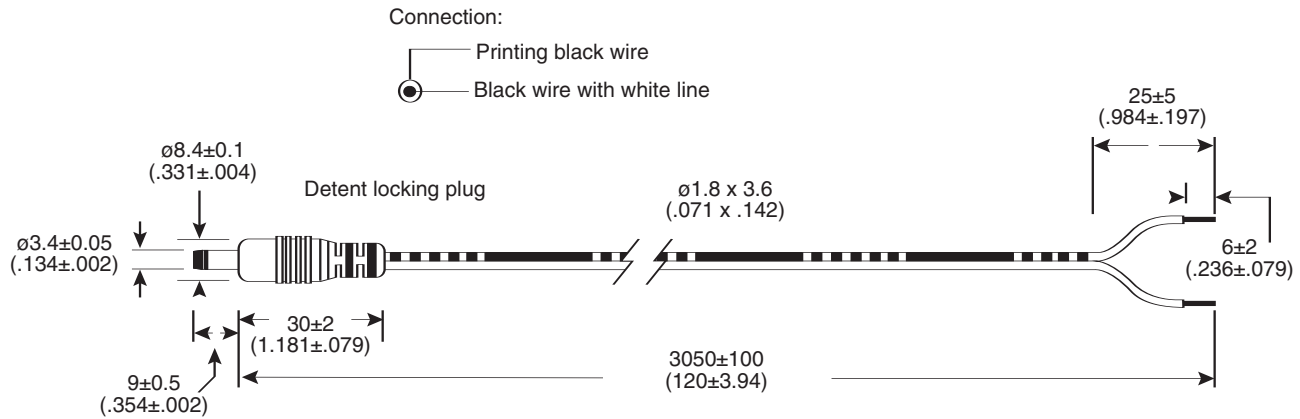


DC Power Cord

172-4206



DC Power Cord



DIMENSIONS: mm (In.)

| SPECIFICATIONS | |
|-----------------|--------------------------------------|
| 1.3 x 3.4 x 9: | DC plug to stripped and tinned. |
| 24AWG x 2F: | With black PVC jacket |
| | Center to black wire with white line |
| | Sleeve to printing black wire |
| Temperature: | 60°C |
| Voltage rating: | 300V DC |
| Resistance: | 0.15Ω per meter |

Date Last Revised: 3-11-05

Available from Mouser Electronics
 1-800-346-6873
 www.mouser.com

KC-300322

172-4206