

PLEASE CHECK WWW.MOLEX.COM FOR LATEST PART INFORMATION

Part Number: [0736423200](#)
Status: **Active**
Overview: [hdm](#)
Description: 2.00mm (.079") Pitch HDM® Board-to-Board Backplane Header, Vertical, Press-Fit, Open End, 144 Circuits

Documents:

| | |
|------------------------------------|---|
| 3D Model | Product Specification PS-73670-9999 (PDF) |
| Test Summary (PDF) | RoHS Certificate of Compliance (PDF) |
| Drawing (PDF) | |

Agency Certification

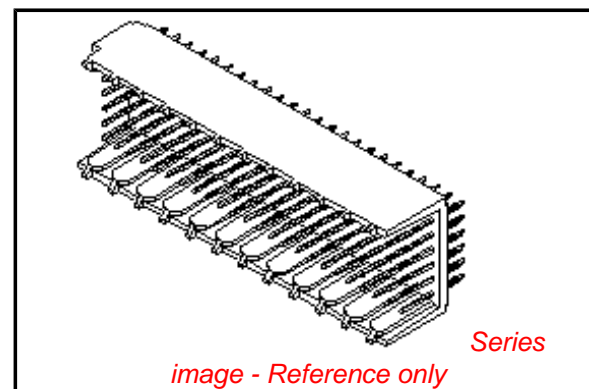
| | |
|-----|---------|
| CSA | LR19980 |
| UL | E29179 |

General

| | |
|----------------|-----------------------|
| Product Family | Backplane Connectors |
| Series | 73642 |
| Application | Backplane |
| Comments | Standard Press-Fit |
| Component Type | PCB Header |
| Overview | hdm |
| Product Name | HDM® |
| Style | N/A |

Physical

| | |
|--------------------------------|--------------------------------|
| Circuits (Loaded) | 144 |
| Circuits (maximum) | 144 |
| Color - Resin | Black, Natural |
| Durability (mating cycles max) | 250 |
| First Mate / Last Break | No |
| Flammability | 94V-0 |
| Guide to Mating Part | No |
| Keying to Mating Part | None |
| Material - Metal | Phosphor Bronze |
| Material - Plating Mating | Gold |
| Material - Plating Termination | Tin |
| Material - Resin | High Temperature Thermoplastic |
| Number of Columns | 24 |
| Number of Pairs | Open Pin Field |
| Number of Rows | 6 |
| Orientation | Vertical |
| PC Tail Length (in) | 0.138 In |
| PC Tail Length (mm) | 3.50 mm |
| PCB Locator | No |
| PCB Retention | None |
| PCB Thickness Recommended (in) | 0.062 In |
| PCB Thickness Recommended (mm) | 1.60 mm |
| Packaging Type | Tube |
| Pitch - Mating Interface (in) | 0.079 In |
| Pitch - Mating Interface (mm) | 2.00 mm |
| Pitch - Term. Interface (in) | 0.079 In |
| Pitch - Term. Interface (mm) | 2.00 mm |
| Plating min: Mating (µin) | 30 |
| Plating min: Mating (µm) | 0.75 |
| Plating min: Termination (µin) | 15 |



EU RoHS

RoHS Compliant by Exemption
REACH SVHC
Contains SVHC: No
Halogen-Free
Status
Halogen-Free

China RoHS



Need more information on product environmental compliance?

Email productcompliance@molex.com
 For a multiple part number RoHS Certificate of Compliance, [click here](#)

Please visit the [Contact Us](#) section for any non-product compliance questions.

Search Parts in this Series

[73642Series](#)

Mates With

[73632](#) HDM PLUS® Board-to-Board Daughtercard Receptacle. [73780](#) HDM® Board-to-Board Daughtercard Receptacle

Application Tooling | FAQ

Tooling specifications and manuals are found by selecting the products below. Crimp Height Specifications are then contained in the Application Tooling Specification document.

Global

| Description | Product # |
|---|----------------------------|
| Flat Rock Tooling for Pneumatic Press | 0622013700 |
| HDM® Backplane Insertion Signal Contact Tool | 0621001400 |
| HDM® Backplane Insertion Head for 144 Positions | 0622005703 |

| | |
|--------------------------------|------------------------------|
| Plating min: Termination (µm) | 0.375 |
| Polarized to PCB | No |
| Stackable | Yes |
| Surface Mount Compatible (SMC) | Yes |
| Temperature Range - Operating | -55°C to +105°C |
| Termination Interface: Style | Through Hole - Compliant Pin |

| | |
|-----------------|------------|
| Extraction Tool | 0621001000 |
|-----------------|------------|

Electrical

| | |
|-------------------------------|----------|
| Current - Maximum per Contact | 1A |
| Data Rate | 1.0 Gbps |
| Real Signals (per 25mm) | 75 |
| Shielded | No |
| Voltage - Maximum | 250V AC |

Material Info

Reference - Drawing Numbers

| | |
|-------------------------|----------------|
| Packaging Specification | PK-70873-0818 |
| Product Specification | PS-73670-9999 |
| Sales Drawing | SDA-73642-**** |

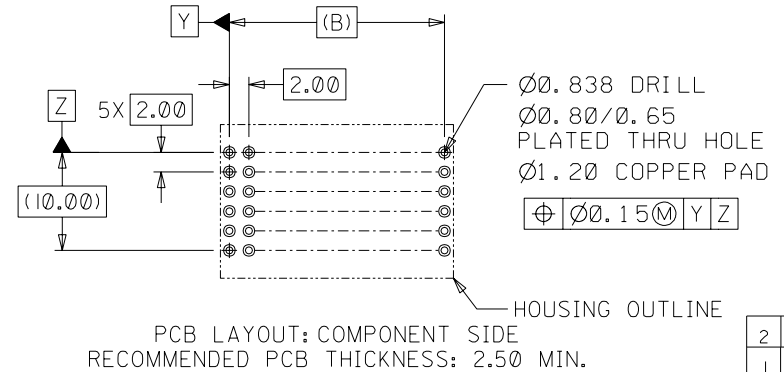
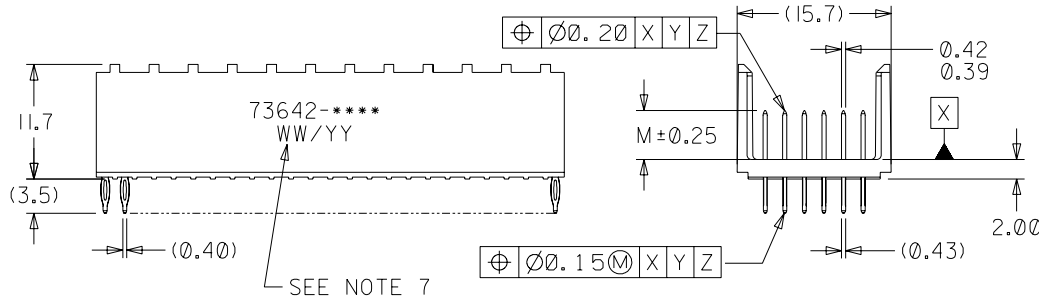
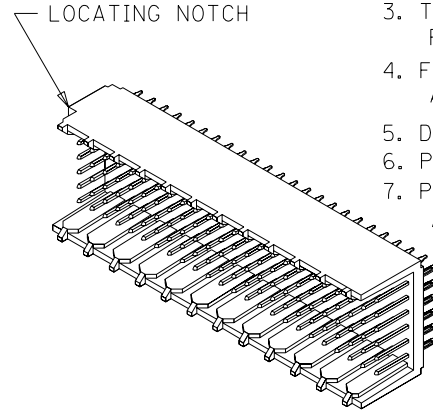
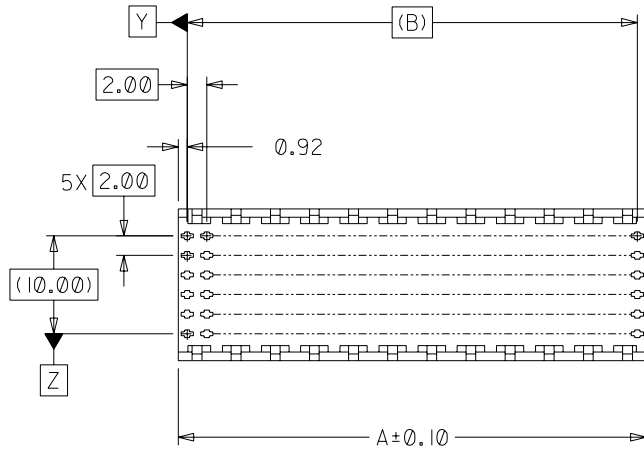
HDM and High Density Metric are trademarks of Amphenol Corporation

This document was generated on 05/14/2010

PLEASE CHECK WWW.MOLEX.COM FOR LATEST PART INFORMATION

NOTES:

1. MATERIALS: HOUSING - LIQUID CRYSTAL POLYMER (LCP), GLASS-FILLED, UL94V-0, COLOR: BLACK, TERMINAL - PHOSPHOR BRONZE.
2. FINISHES: SELECTIVE GOLD (Au) IN CONTACT AREA, 0.00076mm MINIMUM THICKNESS; NICKEL (Ni) AND GOLD FLASH OVERALL SELECTIVE GOLD (Au) IN CONTACT AREA, 0.00076mm MINIMUM THICKNESS; SELECTIVE TIN/LEAD (Sn/Pb) IN TAIL AREA; NICKEL (Ni) OVERALL.
3. THIS PART CONFORMS TO MOLEX PRODUCT SPECIFICATION PS-73670-9999.
4. FOR MIXED CONTACT MATING LENGTHS, CONSULT FACTORY FOR AVAILABILITY.
5. DIMENSIONS ARE IN MILLIMETERS.
6. PACKAGE PER PK-70873-0818.
7. PARTS MARKED WITH PART NUMBER AND DATE CODE, ON EITHER SIDE, APPROXIMATELY WHERE SHOWN.



| | |
|----|-----|
| 2 | C |
| 1 | I |
| SH | REV |

| | | | | | |
|------|---|------|---|------|--|
| I | REVISED ECR UCP2003-2260 THOMAS 03/04/25 | F | REVISED ECR UDT1999-0476 BINGHAM 98/12/21 | C | REVISED PER ECR #U81357 BINGHAM 97/12/15 |
| H | REVISED ECR UDT2000-0348 BINGHAM 99/10/12 | E | REVISED ECR UDT1999-0243 BINGHAM 98/09/29 | B | REVISED PER ECR #U70950 BINGHAM 97/02/14 |
| G | REVISED ECR UDT1999-0662 BINGHAM 99/05/18 | D | REVISED ECR UDT1998-0240 BINGHAM 98/05/06 | A | RELEASED FOR PROD. PER ECR # U70371 BINGHAM 96/12/18 |
| LTR. | REVISIONS | LTR. | REVISIONS | LTR. | REVISIONS |

| | |
|---|----------------|
| DIMENSIONS SHOWN (METRIC) INCH | |
| UNLESS OTHERWISE SPECIFIED TOLERANCES: ANGULAR ± 1/2° | |
| 3 PLACE | ± N/A |
| 2 PLACE | ± N/A ± 0.05 |
| 1 PLACE | --- ± 0.10 |
| DRAFT WHERE APPLICABLE MUST REMAIN WITHIN DIMENSIONS | |
| DRWG. BY: JRR | CHK'D. BY: SMR |
| APP'D. BY: CAB | SCALE: 2 : 1 |

| | | | |
|--|-------|-----------------------------|------------------|
| ▽ = 0 | ▼ = 0 | REVISE ONLY ON CAD SYSTEM | |
| TITLE SALES ASSY, HDM BACKPLANE MODULE, OPEN END OPTION | | | |
| MOLEX INCORPORATED LITSE,ILL. 60532 U.S.A. | | SHEET NO. 1 OF 2 | DATE 96/12/18 |
| PART NO. S73642X1 DGN | | DRWG. NO. SDA-73642-**** | |
| FILE NAME S73642X1 | | DIV. SIZE DA B | |
| THIS DRAWING CONTAINS INFORMATION THAT IS PROPRIETARY TO MOLEX INC. AND SHOULD NOT BE USED WITHOUT WRITTEN PERMISSION. | | | |

| MATERIAL NUMBER | NUMBER OF SIGNAL CONTACTS | PLATING | DIM "A" | DIM "B" | DIM "M" |
|-----------------|---------------------------|-----------------------------------|---------|---------|---------|
| 73642-0000 | 72 | SELECTIVE GOLD/GOLD FLASH | 23.84 | 22.00 | 5.00 |
| 73642-0100 | 72 | SELECTIVE GOLD/GOLD FLASH | 23.84 | 22.00 | 5.50 |
| 73642-0200 | 72 | SELECTIVE GOLD/GOLD FLASH | 23.84 | 22.00 | 6.00 |
| 73642-1000 | 144 | SELECTIVE GOLD/GOLD FLASH | 47.84 | 46.00 | 5.00 |
| 73642-1100 | 144 | SELECTIVE GOLD/GOLD FLASH | 47.84 | 46.00 | 5.50 |
| 73642-1200 | 144 | SELECTIVE GOLD/GOLD FLASH | 47.84 | 46.00 | 6.00 |
| 73642-2000 | 72 | SELECTIVE GOLD/SELECTIVE TIN-LEAD | 23.84 | 22.00 | 5.00 |
| 73642-2100 | 72 | SELECTIVE GOLD/SELECTIVE TIN-LEAD | 23.84 | 22.00 | 5.50 |
| 73642-2200 | 72 | SELECTIVE GOLD/SELECTIVE TIN-LEAD | 23.84 | 22.00 | 6.00 |
| 73642-3000 | 144 | SELECTIVE GOLD/SELECTIVE TIN-LEAD | 47.84 | 46.00 | 5.00 |
| 73642-3100 | 144 | SELECTIVE GOLD/SELECTIVE TIN-LEAD | 47.84 | 46.00 | 5.50 |
| 73642-3200 | 144 | SELECTIVE GOLD/SELECTIVE TIN-LEAD | 47.84 | 46.00 | 6.00 |

DIMENSIONS SHOWN (METRIC) INCH

UNLESS OTHERWISE SPECIFIED
TOLERANCES: ANGULAR = 1/2°

| | INCH | METRIC |
|---------|-------|--------|
| 3 PLACE | ± N/A | --- |
| 2 PLACE | ± N/A | ± 0.05 |
| 1 PLACE | --- | ± 0.10 |

DRAFT WHERE APPLICABLE MUST
REMAIN WITHIN DIMENSIONS

| | | | |
|-----------|-----|-----------|-------|
| DRWG. BY | JRR | CHK'D. BY | SMR |
| APP'D. BY | CAB | SCALE | NO:NE |

▽ = 0 ▼ = 0 REVISE ONLY ON CAD SYSTEM

TITLE
SALES ASSY, HDM BACKPLANE
MODULE, OPEN END OPTION

| | | |
|-----------------------------------|-----------|----------|
| MOLEX LISLE, ILL. 60532 U.S.A. | SHEET NO. | DATE |
| | 2 | 97/12/15 |

| | |
|-----------|----------------|
| PART NO. | DRWG. NO. |
| SEE CHART | SDA-73642-**** |

THIS DRAWING CONTAINS INFORMATION THAT IS PROPRIETARY TO MOLEX INC. AND SHOULD NOT BE USED WITHOUT WRITTEN PERMISSION.

| | |
|------|------|
| DIV. | SIZE |
| DA | B |

| | | | |
|------|-----------|------|-----------|
| LTR. | REVISIONS | LTR. | REVISIONS |
|------|-----------|------|-----------|

C SEE SHEET 1