

THIS DRAWING IS UNPUBLISHED. RELEASED FOR PUBLICATION

© COPYRIGHT BY TYCO ELECTRONICS CORPORATION. ALL RIGHTS RESERVED.

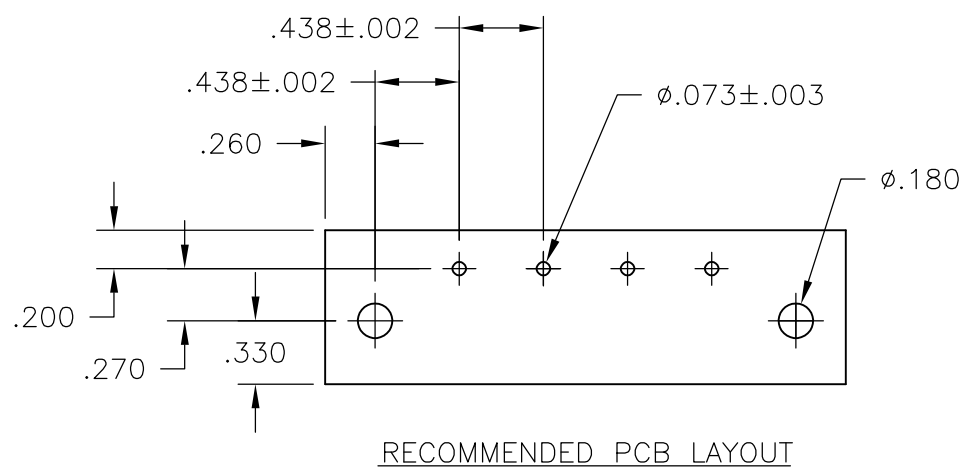
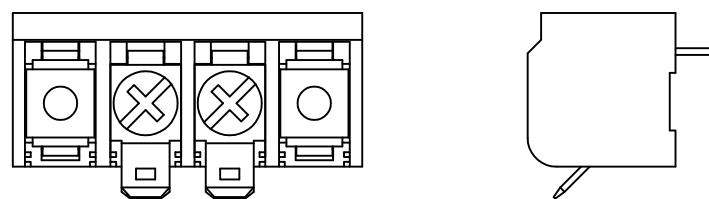
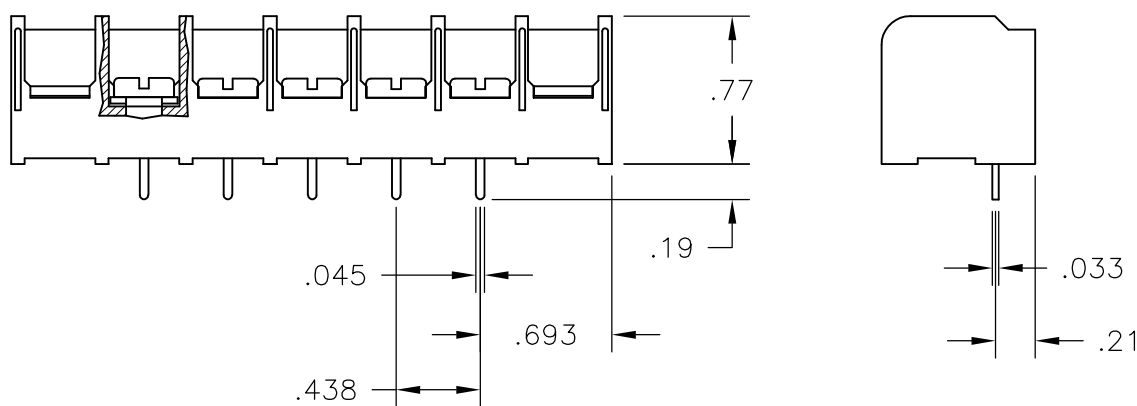
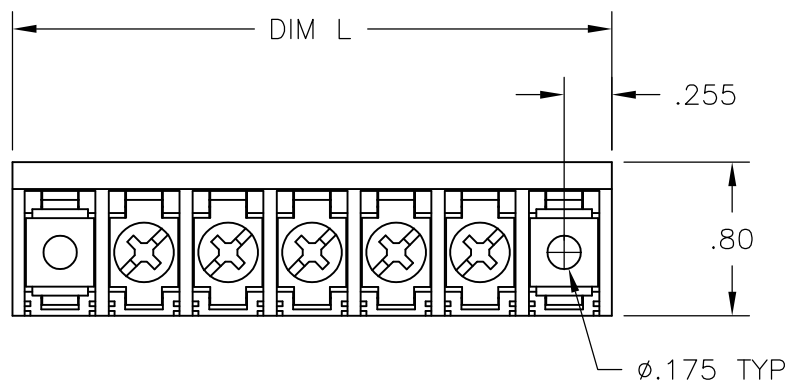
LOC FT	DIST 0	REVISIONS			
P	LTR	DESCRIPTION	DATE	DWN	APVD
	C	REVISED PER ECO-10-004812	04MAY10	HMR	CR

**MATERIALS:**  
 HOUSING: THERMOPLASTIC, UL94V-0, BLACK.  
 TERMINAL: BRIGHT TIN PLATED COPPER ALLOY.  
 SCREWS: 8-32 ZINC PLATED STEEL.

**ELECTRICAL:**  
 CURRENT RATING: 30A  
 VOLTAGE RATING: 600V  
 WIRE RANGE: 10-18 AWG (UL)  
 10-22 AWG (CSA)

**MECHANICAL:**  
 RECOMMENDED TORQUE: 20 IN-LB.  
 OPERATING TEMP.: -40°C TO +120°C.

2 PRELIMINARY PART NUMBER.



5-1546159-9

DIM L	NO OF POS	CATALOG NUMBER	TE NUMBER
2	18	8PCV-18-009	1-1546849-8
2	17	8PCV-17-009	1-1546849-7
2	16	8PCV-16-009	1-1546849-6
2	15	8PCV-15-009	1-1546849-5
2	14	8PCV-14-009	1-1546849-4
2	13	8PCV-13-009	1-1546849-3
	12	8PCV-12-009	4-1437658-8
2	11	8PCV-11-009	1-1546849-1
	10	8PCV-10-009	7-1546159-4
2	9	8PCV-09-009	1546849-9
2	8	8PCV-08-009	1546849-8
2	7	8PCV-07-009	1546849-7
	6	8PCV-06-410	1437658-3
2	6	8PCV-06-009	1546849-6
	5	8PCV-05-009	3-796615-3
	4	8PCV-04-009	3-796615-4
2	3	8PCV-03-009	1546849-3
	2	8PCV-02-009-011	5-1546159-9
	2	8PCV-02-009	5-1546159-8

THIS DRAWING IS A CONTROLLED DOCUMENT.		DWN S SCHLEGEL 10/25/06	Tyco Electronics Corporation Harrisburg, PA 17105-3608	
DIMENSIONS: INCHES	TOLERANCES UNLESS OTHERWISE SPECIFIED: 0 PLC ± - 1 PLC ± - 2 PLC ± .01 3 PLC ± .005 4 PLC ± - ANGLES ± 1°	CHK S YODER 10/25/06	NAME	
		APVD S YODER 10/25/06	8PCV-XX-009 ASSEMBLY	
MATERIAL	FINISH	PRODUCT SPEC	SIZE	CAGE CODE
-	-	-	A3	00779
CUSTOMER DRAWING		APPLICATION SPEC	DRAWING NO	RESTRICTED TO
		-	C-1437658-3	-
		WEIGHT	SCALE	SHEET
		-	1:1	1 OF 1
		REV	C	