

THIS DRAWING IS UNPUBLISHED. RELEASED FOR PUBLICATION

© COPYRIGHT BY TYCO ELECTRONICS CORPORATION. ALL RIGHTS RESERVED.

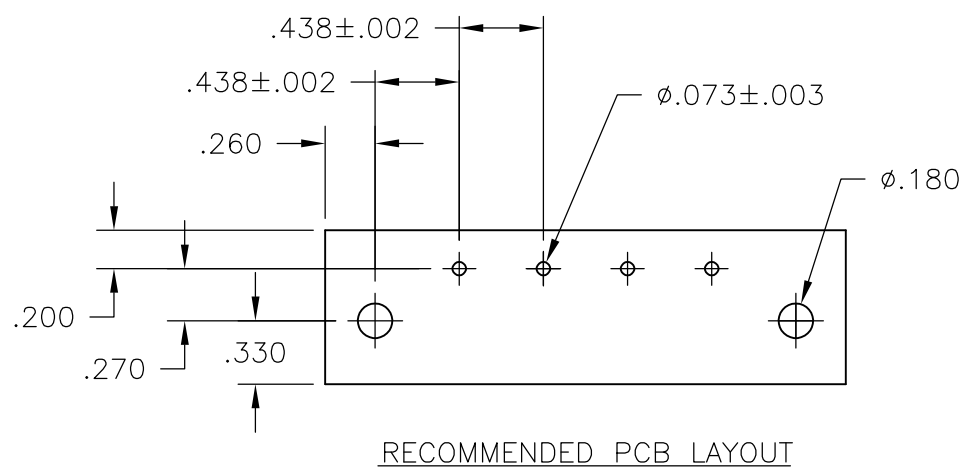
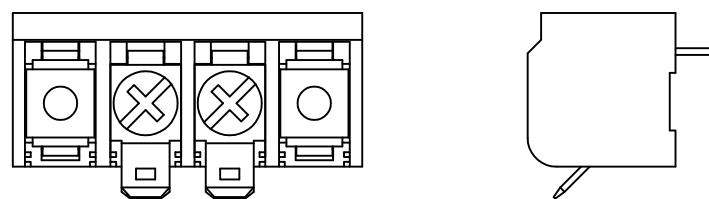
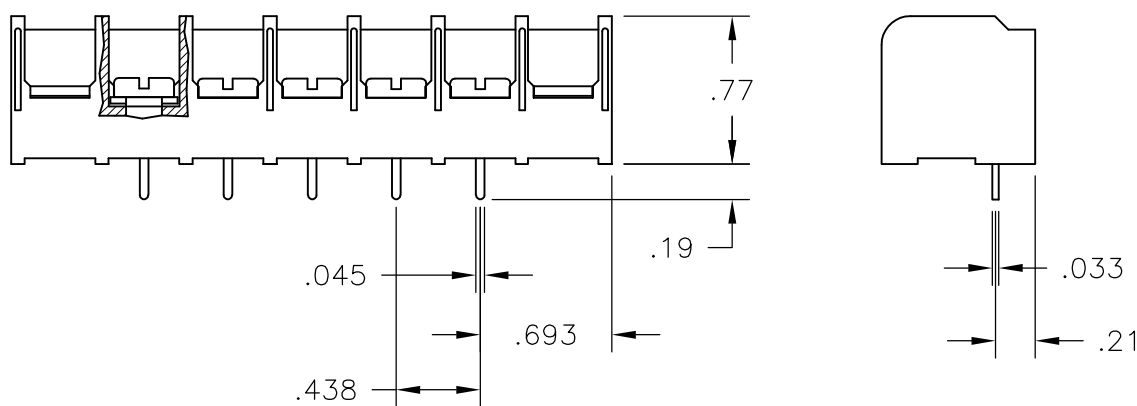
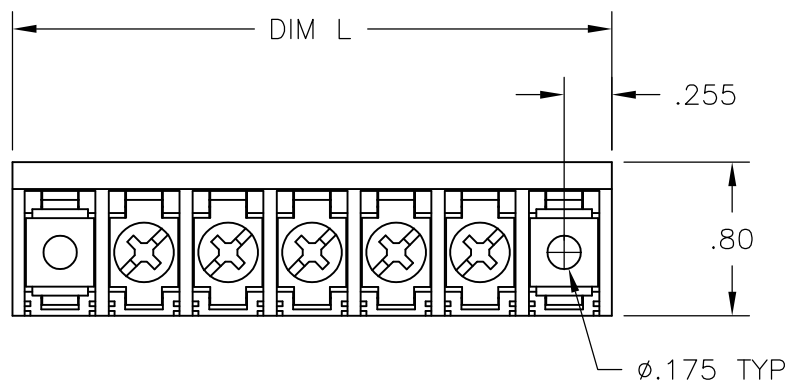
LOC	DIST	REVISIONS					
FT	0	P	LTR	DESCRIPTION	DATE	DWN	APVD
			C	REVISED PER ECO-10-004812	04MAY10	HMR	CR

MATERIALS:  
 HOUSING: THERMOPLASTIC, UL94V-0, BLACK.  
 TERMINAL: BRIGHT TIN PLATED COPPER ALLOY.  
 SCREWS: 8-32 ZINC PLATED STEEL.

ELECTRICAL:  
 CURRENT RATING: 30A  
 VOLTAGE RATING: 600V  
 WIRE RANGE: 10-18 AWG (UL)  
 10-22 AWG (CSA)

MECHANICAL:  
 RECOMMENDED TORQUE: 20 IN-LB.  
 OPERATING TEMP.: -40°C TO +120°C.

2 PRELIMINARY PART NUMBER.



5-1546159-9

2	8.823	18	8PCV-18-009	1-1546849-8
2	8.385	17	8PCV-17-009	1-1546849-7
2	7.948	16	8PCV-16-009	1-1546849-6
2	7.510	15	8PCV-15-009	1-1546849-5
2	7.073	14	8PCV-14-009	1-1546849-4
2	6.635	13	8PCV-13-009	1-1546849-3
	6.198	12	8PCV-12-009	4-1437658-8
2	5.760	11	8PCV-11-009	1-1546849-1
	5.323	10	8PCV-10-009	7-1546159-4
2	4.885	9	8PCV-09-009	1546849-9
2	4.448	8	8PCV-08-009	1546849-8
2	4.010	7	8PCV-07-009	1546849-7
	3.573	6	8PCV-06-410	1437658-3
2	3.573	6	8PCV-06-009	1546849-6
	3.135	5	8PCV-05-009	3-796615-3
	2.698	4	8PCV-04-009	3-796615-4
2	2.260	3	8PCV-03-009	1546849-3
	1.823	2	8PCV-02-009-011	5-1546159-9
	1.823	2	8PCV-02-009	5-1546159-8
	DIM L	NO OF POS	CATALOG NUMBER	TE NUMBER

THIS DRAWING IS A CONTROLLED DOCUMENT.		DWN	S SCHLEGEL	10/25/06	Tyco Electronics Corporation Harrisburg, PA 17105-3608		
DIMENSIONS: INCHES		CHK	S YODER	10/25/06	NAME		
TOLERANCES UNLESS OTHERWISE SPECIFIED:		APVD	S YODER	10/25/06	8PCV-XX-009 ASSEMBLY		
0 PLC ± -		PRODUCT SPEC		SIZE			
1 PLC ± -		APPLICATION SPEC		CAGE CODE		DRAWING NO	
2 PLC ± .01		WEIGHT		A3		00779	
3 PLC ± .005		CUSTOMER DRAWING		C-1437658-3		RESTRICTED TO	
4 PLC ± -		SCALE		1:1		SHEET 1 OF 1	
ANGLES ± 1°		REV		C			
FINISH							