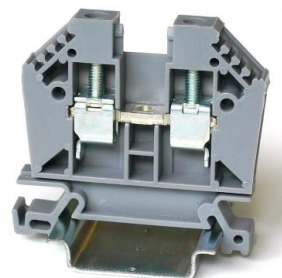


Article: **10134253-001LF**

Feed-through terminal block - grey
Screw connection - 6mm² / 8AWG - Width 7 mm



GENERAL DATA

Series	EURO 6
Item	10134253
Weight/Piece	13,6 g
Colour	Grey
Q.ty p.pck.	50
Q.ty p. box	1.000

TECHNICAL DATA / DIMENSIONS

Dimensions

Width mm(in.)	7 (0.28)
Length mm(in.)	50 (1.97)
Height mm(in.)	44 (1.73)
Mounting type (EN 60715)	Omega TH35

Technical data

Maximum load current	50A
Insulating material	PA 66
Self-extinguishing degree acc. to UL94	V2
Rated surge voltage	8kV
Pollution degree	3
Surge voltage category	III
Insulating material group	I
Nominal Voltage	1000V
Nominal Current	41A
Temperature index, insulating material – Elec. UL 746 B - RTI	130°C
Static insulating material lower permissible temperature	-60°C

Connection data

Conductor cross-section solid min/max	0.50 / 10 mm ²
Conductor cross-section stranded min/max	0.50 / 6 mm ²

AWG min/max	22-8AWG
Max conductor cross-section stranded with ferrule with plastic sleeve	6 mm ² / L=18
Stripping length	max 12 mm / 0.475in
Screw	M3,5 – Zinc plated steel
Tightening torque	0,8Nm / 10 Lb-In
Clamp	Zinc plated steel
Current bar	Tin Plated copper alloy

APPROVALS



RINA

EN60947-7-1

6mm² – 1000V – 41A

EN60068-2-11

Salt mist test for 96 hours



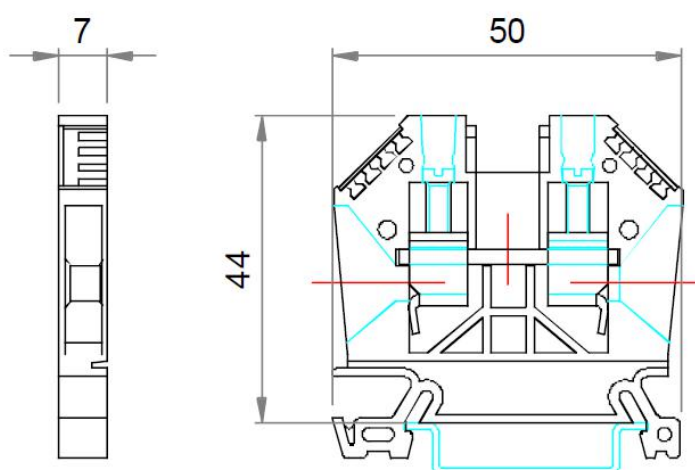
UL1059

E203985

SCCR 100kA

AWG 22-8 – 600V – 50A

TECHNICAL DRAWINGS



ACCESSORIES

Marking

Item	Description
10134398-001LF	Single-digit marking tag (5 x 3 mm) - white
10134398-002LF ~ 10134398-011LF	Single-digit marking tag (5 x 3 mm) – with marking: 0 ~ 9
10134398-012LF ~ 10134398-036LF	Single-digit marking tag (5 x 3 mm) – with marking: A ~ Z
10134399-001LF	Marking tag adapter – 6 slots for marking tags
10134400-001LF	Marking tags (5 x 12 mm) - white (special marking on request)
10134401-001LF	Marking tags (6 x 12 mm) - white (special marking on request)
10134449-001LF	Tags 6x12mm (39tags x 20cards)

DIN RAIL system - Mounting and Installation material

Item	Description
10134392-001LF	Steel Omega rail 35/7,5mm - 2mt length
10134393-001LF	Slotted steel Omega rail 35/7,5mm - 2mt length
10134394-001LF	Steel Omega rail 35/15mm - 2mt length
10134395-001LF	Slotted steel Omega rail 35/15mm - 2mt length
10134387-001LF	Angled support bracket
10134389-001LF	EURO STOP - End bracket width 9
10134390-001LF	EURO STOP - End bracket width 6
10134391-001LF	EURO STOP - Snap-on end bracket width 6

Additional items

Item	Description
10134259-001LF	End plate
10134264-001LF	Separator
10134268-001LF	Cover for EURO 6 - 10
10134275-001LF	Insulated 2 poles screw-jumper -pitch 7,1mm -6mm ² 1bag=50pcs
10134275-002LF	Insulated 3 poles screw-jumper -pitch 7,1mm -6mm ² 1bag=50pcs
10134275-003LF	Insulated 24 poles screw-jumper -pitch 7,1mm-6mm ² - 1box=5pcs – (5 jumpers, 24 poles + 10 insulating bodies with screws, 12 poles)