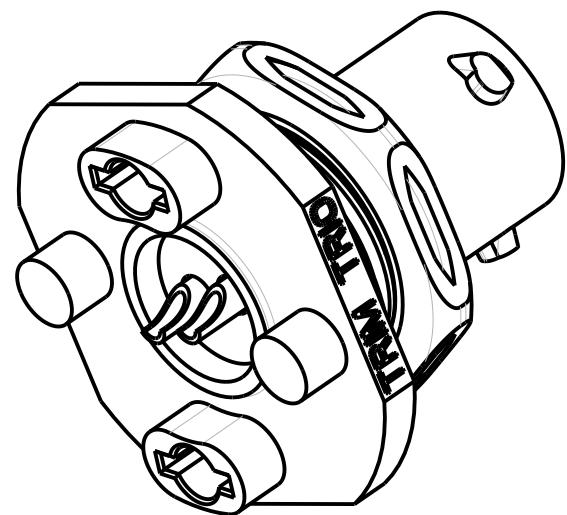
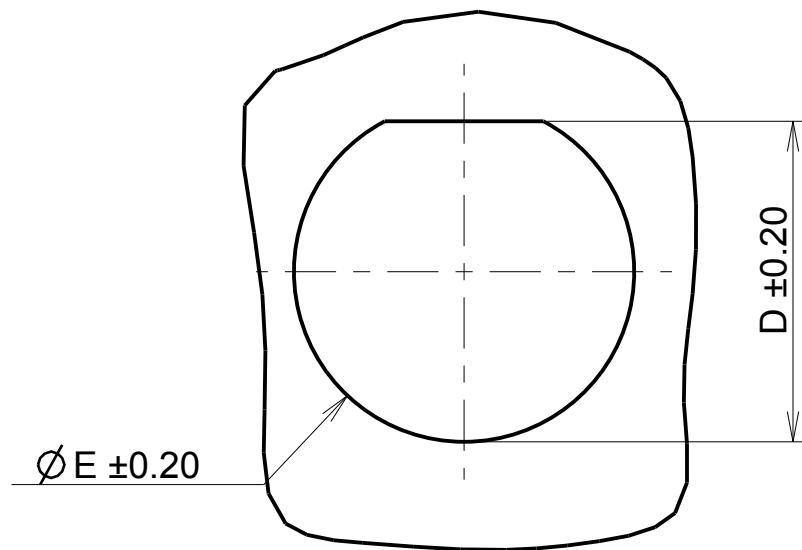


SHELL SIZE	A $\pm 0.15$	B $\pm 0.20$ (without marking)	C $\pm 0.20$	C $\pm 0.37$ specif. 30	D $\pm 0.20$	E $\pm 0.20$	Thread	Tightening torque (Nut)
08	11.90	24.00	19.05 $\pm 0.37$	19.05	13.75	14.60	9/16 24 UNEF CLASS 2A	2 Nm
10	14.90	26.90	22.15	22.20	16.50	17.70	11/16 24 UNEF CLASS 2A	3 Nm
12	18.95	31.75	27.15	26.97	21.20	22.50	7/8 20 UNEF CLASS 2A	4 Nm
14	22.15	34.90	30.20	30.15	24.30	25.70	1"20 UNEF CLASS 2A	5 Nm

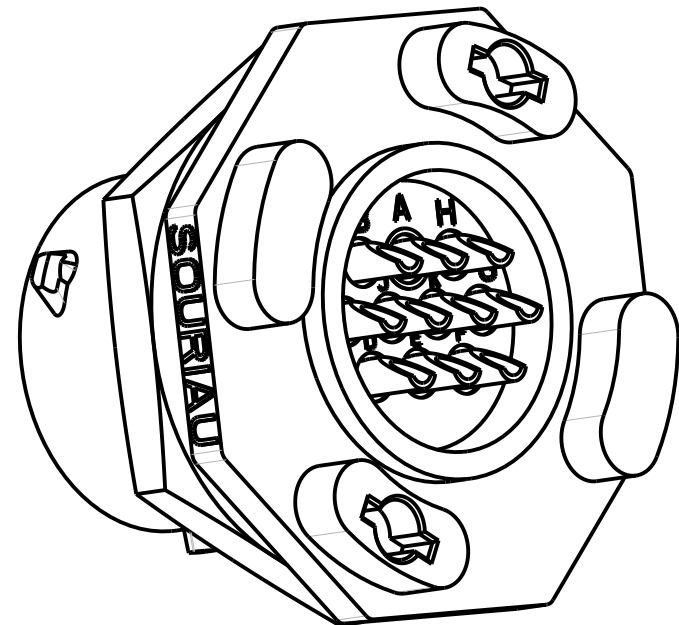
**SHELL 8**  
(Rear detail)



**PANEL CUT OUT**



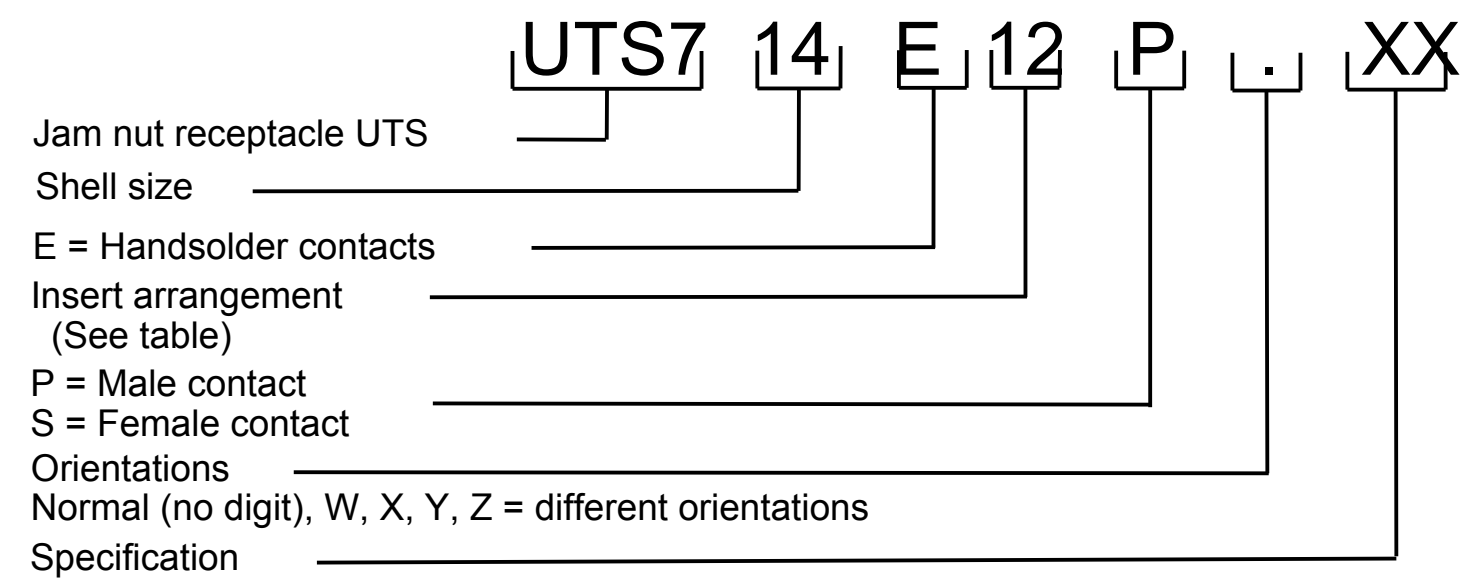
**SHELL 10 / 12 / 14**  
(Rear detail)



**MATERIAL :**  
 Shell: Polyamid UL94 V-0  
 Insert: Polychloropren (CR)  
 Seal gasket : Sealing IP68/69K : Silicone  
 O'ring: nitril  
 Nut: Aluminium alloy black anodized  
 Contact: Brass + gold plated

**PERFORMANCE CHARACTERISTICS :**  
 Operating temperature: -40°C up to 105°C  
 Insulation resistance: 5000 M $\Omega$  min  
 Test potential: 2000 Vrms for #16 layout and 1500Vrms for #20 layout  
 Corrosion salt spray: 500 hours  
 Durability: 250 matings and unmatings  
 Sealing in mated and unmated conditions:  
 -IP68 1 bar during 1 week : immersion under 10 m of water. (IEC 60529)  
 -IP69K : exposure to high pressure water of cleaning equipment (DIN 40050)

**NOTE:**  
 Insert arrangements: refer to C144-UTS1-A



**CUSTOMER DRAWING**

h	11/05/11	specify the dimensions - add orientations in the part number	21774
ISS	DATE	Add Insert arrangements	MOD N°
Designed by: <b>SORIN V.</b>		Latest modification - by: <b>J.FEURPRIER</b>	<b>CUSTOMER DRAWING</b>
Date: 26/10/07		TITLE: <b>JAM NUT RECEPTACLE WITH SOLDER CONTACTS</b>	
Scale: 2/1		UTS HI SEAL	
General linear Tolerances: $\pm 0.1$		NPRDS / PROJECT <b>UTS</b>	
		WWW.SOURIAU.COM This document is the property of SOURIAU. It must not be reproduced or communicated without permission.	
FORMAT: <b>A2</b>	SOURIAU DRG N° <b>C045-UTS1-A</b>		SHEET: 1/1