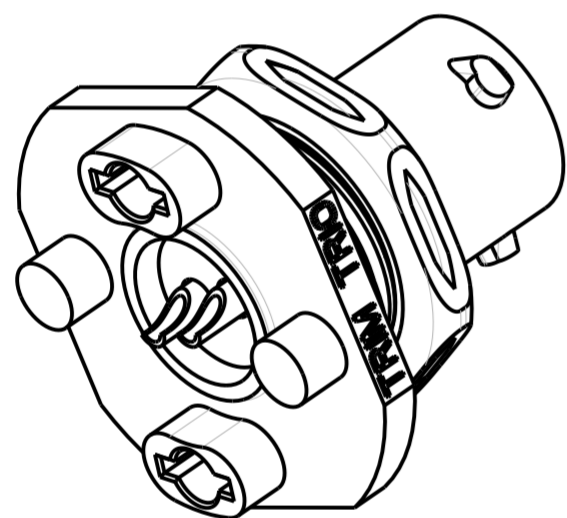
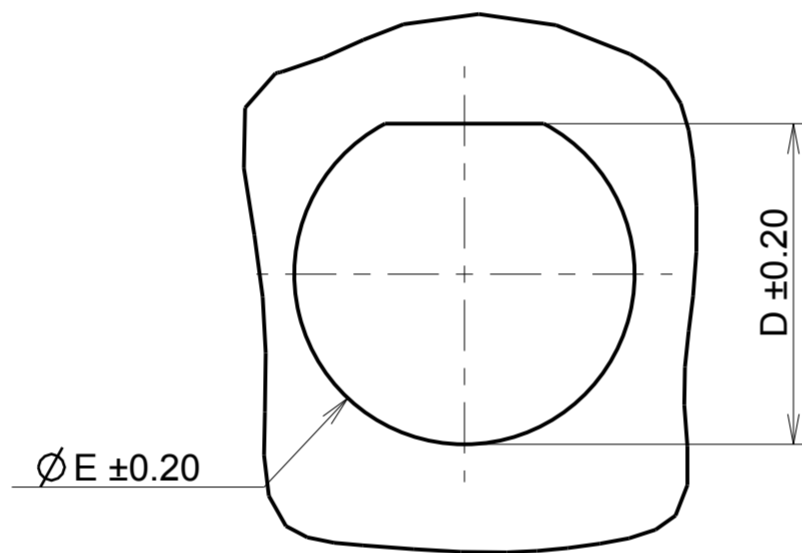


SHELL SIZE	A ± 0.15	B ± 0.20 (without marking)	C ± 0.20	C ± 0.37 specif. 30	D ± 0.20	E ± 0.20	Thread	Tightening torque (Nut)
08	11.90	24.00	19.05 ± 0.37	19.05	13.75	14.60	9/16 24 UNEF CLASS 2A	2 Nm
10	14.90	26.90	22.15	22.20	16.50	17.70	11/16 24 UNEF CLASS 2A	3 Nm
12	18.95	31.75	27.15	26.97	21.20	22.50	7/8 20 UNEF CLASS 2A	4 Nm
14	22.15	34.90	30.20	30.15	24.30	25.70	1"20 UNEF CLASS 2A	5 Nm

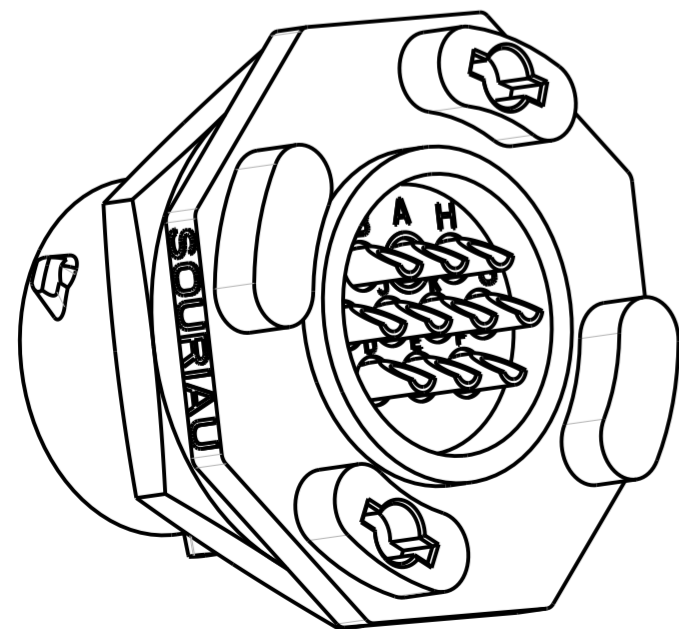
SHELL 8
(Rear detail)



PANEL CUT OUT



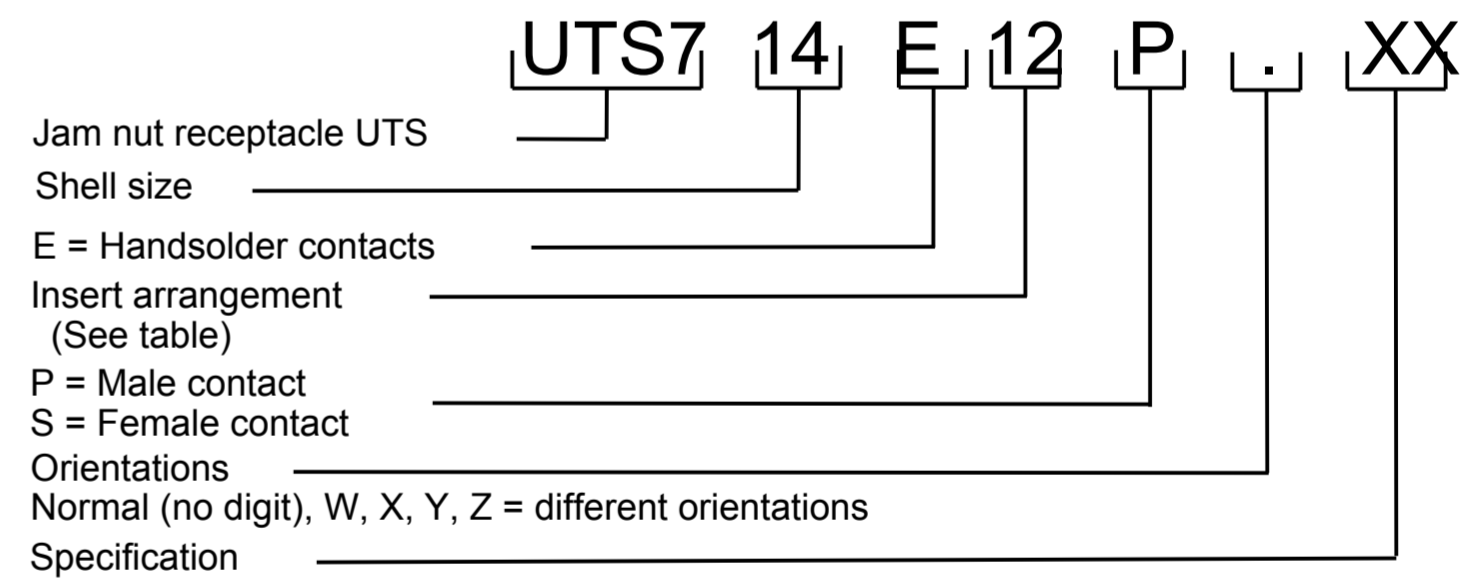
SHELL 10 / 12 / 14
(Rear detail)



MATERIAL :
 Shell: Polyamid UL94 V-0
 Insert: Polychloropren (CR)
 Seal gasket : Sealing IP68/69K : Silicone
 O'ring: nitril
 Nut: Aluminium alloy black anodized
 Contact: Brass + gold plated

PERFORMANCE CHARACTERISTICS :
 Operating temperature: -40°C up to 105°C
 Insulation resistance: 5000 M Ω min
 Test potential: 2000 Vrms for #16 layout and 1500Vrms for #20 layout
 Corrosion salt spray: 500 hours
 Durability: 250 matings and unmatings
 Sealing in mated and unmated conditions:
 -IP68 1 bar during 1 week : immersion under 10 m of water.
 (IEC 60529)
 -IP69K : exposure to high pressure water of cleaning equipment(DIN 40050)

NOTE:
 Insert arrangements: refer to C144-UTS1-A



CUSTOMER DRAWING

h	11/05/11	specify the dimensions - add orientations in the part number	21774
ISS	DATE	Add Insert arrangements	MOD N°
Designed by: SORIN V.		Latest modification - by: J.FEURPRIER	CUSTOMER DRAWING
Date: 26/10/07		TITLE: JAM NUT RECEPTACLE WITH SOLDER CONTACTS	
Scale: 2/1		UTS HI SEAL	
General linear Tolerances: ± 0.1		NPRDS / PROJECT UTS	
		WWW.SOURIAU.COM This document is the property of SOURIAU. It must not be reproduced or communicated without permission.	
FORMAT: A2	SOURIAU DRG N° C045-UTS1-A		SHEET: 1/1
NOT EXPORT CONTROLLED			