

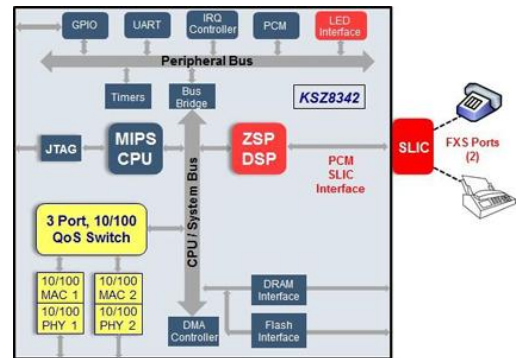
KSZ8342Q

Single-Chip Analog Telephone Adapter

Key Features

- High degree of integration
- Efficient switching
- Low-powered PHY transceivers
- Green design with integrated Energy Efficient Ethernet (EEE)

Typical Application



[Enlarge View](#)

General Description

The Micrel KSZ8342Q Analog Telephone Adapter (ATA) supplies a complete solution for enterprise and residential environments, converting analog signals from a traditional telephone or fax machine for transmission over IP.

By incorporating an advanced DSP, the KSZ8342Q ATA solution provides all logic necessary for performing analog to digital telephone with connection to IP telephony. The KSZ8342Q ATA device is available in a RoHS-compliant 128-lead QFP package.

The KSZ8342Q ATA device leverages Micrel's core technology competencies including:

High degree of integration

Efficient switching

Low-powered PHY transceivers

Green design with integrated Energy Efficient Ethernet (EEE)



Ordering Information

Part Number	Temperature Range	Package
KSZ8342Q	-40°C to +85°C	128-Pin PQFP
KSZ8342Q-Eval	Evaluation Board for the KSZ8342Q	