

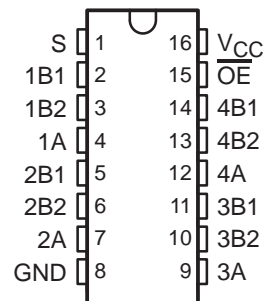
SN74CBTLV3257

LOW-VOLTAGE 4-BIT 1-OF-2 FET MULTIPLEXER/DEMUTIPLEXER

SCDS040D – DECEMBER 1997 – REVISED NOVEMBER 1999

- Functionally Equivalent to QS3257
- 5-Ω Switch Connection Between Two Ports
- Isolation Under Power-Off Conditions
- ESD Protection Exceeds JESD 22
 - 2000-V Human-Body Model (A114-A)
 - 200-V Machine Model (A115-A)
- Latch-Up Performance Exceeds 100 mA Per JESD 78, Class II
- Package Options Include Thin Very Small-Outline (DGV), Small-Outline (D), Shrink Small-Outline (DBQ), and Thin Shrink Small-Outline (PW) Packages

D, DBQ, DGV, OR PW PACKAGE
(TOP VIEW)



description

The SN74CBTLV3257 is a 4-bit 1-of-2 high-speed FET multiplexer/demultiplexer. The low on-state resistance of the switch allows connections to be made with minimal propagation delay.

The select (S) input controls the data flow. The FET multiplexers/demultiplexers are disabled when the output-enable (\overline{OE}) input is high.

To ensure the high-impedance state during power up or power down, \overline{OE} should be tied to V_{CC} through a pullup resistor; the minimum value of the resistor is determined by the current-sinking capability of the driver.

The SN74CBTLV3257 is characterized for operation from -40°C to 85°C .

FUNCTION TABLE

INPUTS		FUNCTION
\overline{OE}	S	
L	L	A port = B1 port
L	H	A port = B2 port
H	X	Disconnect



Please be aware that an important notice concerning availability, standard warranty, and use in critical applications of Texas Instruments semiconductor products and disclaimers thereto appears at the end of this data sheet.

PRODUCTION DATA information is current as of publication date. Products conform to specifications per the terms of Texas Instruments standard warranty. Production processing does not necessarily include testing of all parameters.

**TEXAS
INSTRUMENTS**

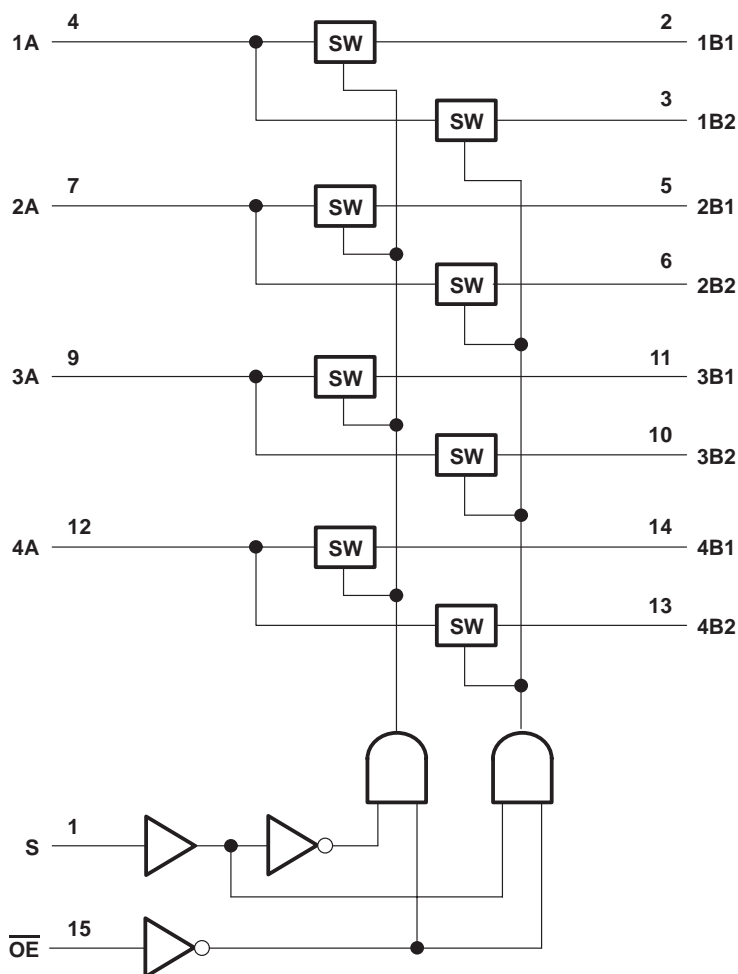
POST OFFICE BOX 655303 • DALLAS, TEXAS 75265

Copyright © 1999, Texas Instruments Incorporated

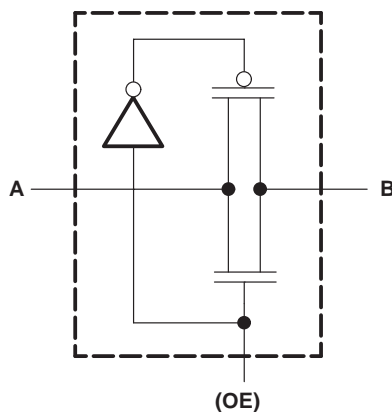
SN74CBTLV3257 LOW-VOLTAGE 4-BIT 1-OF-2 FET MULTIPLEXER/DEMULTIPLEXER

SCDS040D – DECEMBER 1997 – REVISED NOVEMBER 1999

logic diagram (positive logic)



simplified schematic, each FET switch



SN74CBTLV3257

LOW-VOLTAGE 4-BIT 1-OF-2 FET MULTIPLEXER/DEMULTIPLEXER

SCDS040D – DECEMBER 1997 – REVISED NOVEMBER 1999

absolute maximum ratings over operating free-air temperature range (unless otherwise noted)†

Supply voltage range, V_{CC}	–0.5 V to 4.6 V	
Input voltage range, V_I (see Note 1)	–0.5 V to 4.6 V	
Continuous channel current	128 mA	
Input clamp current, I_{IK} ($V_{I/O} < 0$)	–50 mA	
Package thermal impedance, θ_{JA} (see Note 2):	D package	73°C/W
	DBQ package	90°C/W
	DGV package	120°C/W
	PW package	108°C/W
Storage temperature range, T_{stg}	–65°C to 150°C	

† Stresses beyond those listed under “absolute maximum ratings” may cause permanent damage to the device. These are stress ratings only, and functional operation of the device at these or any other conditions beyond those indicated under “recommended operating conditions” is not implied. Exposure to absolute-maximum-rated conditions for extended periods may affect device reliability.

- NOTES: 1. The input and output negative-voltage ratings may be exceeded if the input and output clamp-current ratings are observed.
 2. The package thermal impedance is calculated in accordance with JESD 51.

recommended operating conditions (see Note 3)

		MIN	MAX	UNIT
V_{CC}	Supply voltage	2.3	3.6	V
V_{IH}	High-level control input voltage	$V_{CC} = 2.3 \text{ V to } 2.7 \text{ V}$	1.7	V
		$V_{CC} = 2.7 \text{ V to } 3.6 \text{ V}$	2	
V_{IL}	Low-level control input voltage	$V_{CC} = 2.3 \text{ V to } 2.7 \text{ V}$	0.7	V
		$V_{CC} = 2.7 \text{ V to } 3.6 \text{ V}$	0.8	
T_A	Operating free-air temperature	–40	85	°C

NOTE 3: All unused control inputs of the device must be held at V_{CC} or GND to ensure proper device operation. Refer to the TI application report, *Implications of Slow or Floating CMOS Inputs*, literature number SCBA004.

electrical characteristics over recommended operating free-air temperature range (unless otherwise noted)

PARAMETER	TEST CONDITIONS		MIN	TYP‡	MAX	UNIT	
V_{IK}	$V_{CC} = 3 \text{ V}$,	$I_I = -18 \text{ mA}$			–1.2	V	
I_I	$V_{CC} = 3.6 \text{ V}$,	$V_I = V_{CC}$ or GND			±1	µA	
I_{off}	$V_{CC} = 0$,	V_I or $V_O = 0$ to 4.5 V			10	µA	
I_{CC}	$V_{CC} = 3.6 \text{ V}$,	$I_O = 0$, $V_I = V_{CC}$ or GND			10	µA	
ΔI_{CC}^{\S}	Control inputs	$V_{CC} = 3.6 \text{ V}$, One input at 3 V, Other inputs at V_{CC} or GND			300	µA	
C_i	Control inputs	$V_I = 3 \text{ V}$ or 0			3	pF	
$C_{io(OFF)}$	A port	$V_O = 3 \text{ V}$ or 0, $\overline{OE} = V_{CC}$			5.5	pF	
	B port				10.5		
r_{on}^{\parallel}	$V_{CC} = 2.3 \text{ V}$, TYP at $V_{CC} = 2.5 \text{ V}$	$V_I = 0$	$I_I = 64 \text{ mA}$		5	8	Ω
			$I_I = 24 \text{ mA}$		5	8	
		$V_I = 1.7 \text{ V}$,	$I_I = 15 \text{ mA}$		27	40	
	$V_{CC} = 3 \text{ V}$	$V_I = 0$	$I_I = 64 \text{ mA}$		5	7	
			$I_I = 24 \text{ mA}$		5	7	
		$V_I = 2.4 \text{ V}$,	$I_I = 15 \text{ mA}$		10	15	

‡ All typical values are at $V_{CC} = 3.3 \text{ V}$ (unless otherwise noted), $T_A = 25^\circ\text{C}$.

§ This is the increase in supply current for each input that is at the specified voltage level rather than V_{CC} or GND.

∥ Measured by the voltage drop between the A and the B terminals at the indicated current through the switch. On-state resistance is determined by the lower of the voltages of the two (A or B) terminals.



SN74CBTLV3257

LOW-VOLTAGE 4-BIT 1-OF-2 FET MULTIPLEXER/DEMULTIPLEXER

SCDS040D – DECEMBER 1997 – REVISED NOVEMBER 1999

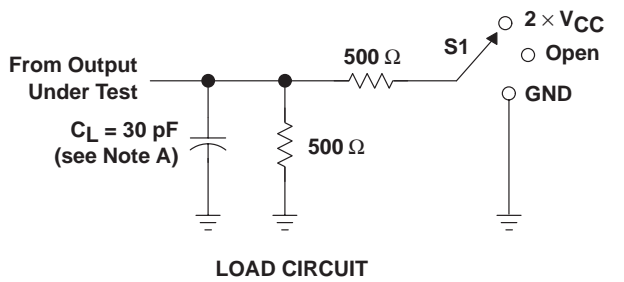
switching characteristics over recommended operating free-air temperature range (unless otherwise noted) (see Figures 1 and 2)

PARAMETER	FROM (INPUT)	TO (OUTPUT)	$V_{CC} = 2.5\text{ V} \pm 0.2\text{ V}$		$V_{CC} = 3.3\text{ V} \pm 0.3\text{ V}$		UNIT
			MIN	MAX	MIN	MAX	
t_{pd}	A or B†	B or A	0.35		0.25		ns
	S	A or B	1.8	6.1	1.8	5.3	
t_{en}	S	A or B	1.7	6.1	1.7	5.3	ns
t_{dis}	S	A or B	1	4.8	1	4.5	ns
t_{en}	\overline{OE}	A or B	1.9	5.6	2	5	ns
t_{dis}	\overline{OE}	A or B	1	5.5	1.6	5.5	ns

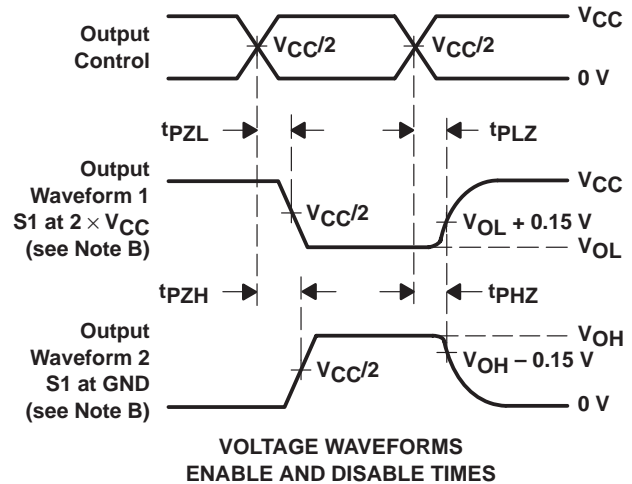
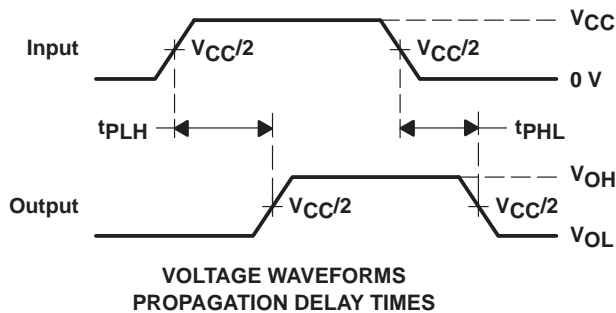
† The propagation delay is the calculated RC time constant of the typical on-state resistance of the switch and the specified load capacitance, when driven by an ideal voltage source (zero output impedance).

PARAMETER MEASUREMENT INFORMATION

$V_{CC} = 2.5\text{ V} \pm 0.2\text{ V}$



TEST	S1
t_{pd} t_{PLZ}/t_{PZL} t_{PHZ}/t_{PZH}	Open 2 \times V_{CC} GND

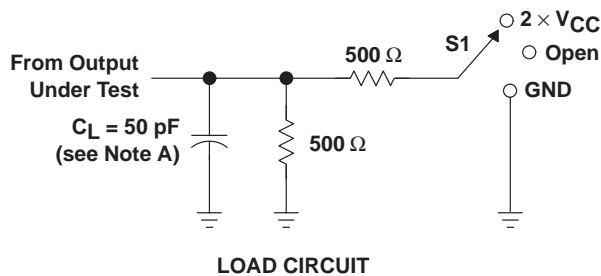


- NOTES:
- C_L includes probe and jig capacitance.
 - Waveform 1 is for an output with internal conditions such that the output is low except when disabled by the output control. Waveform 2 is for an output with internal conditions such that the output is high except when disabled by the output control.
 - All input pulses are supplied by generators having the following characteristics: $PRR \leq 10\text{ MHz}$, $Z_O = 50\ \Omega$, $t_r \leq 2\text{ ns}$, $t_f \leq 2\text{ ns}$.
 - The outputs are measured one at a time with one transition per measurement.
 - t_{PLZ} and t_{PHZ} are the same as t_{dis} .
 - t_{PZL} and t_{PZH} are the same as t_{en} .
 - t_{PLH} and t_{PHL} are the same as t_{pd} .

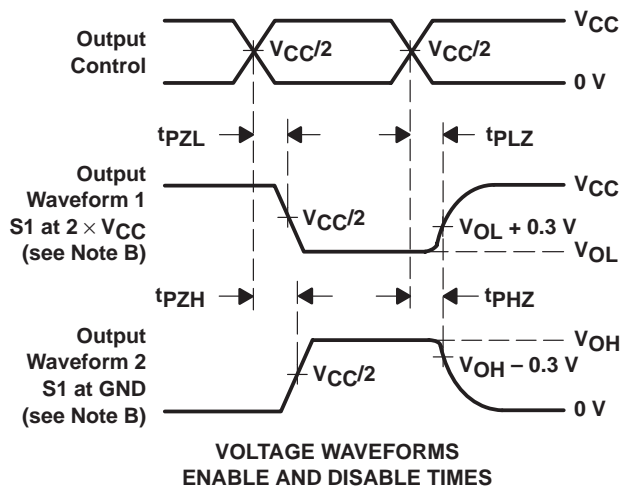
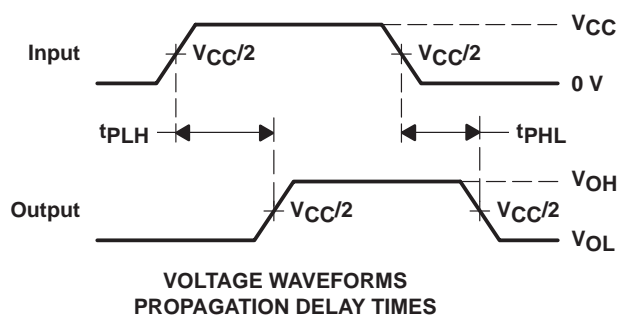
Figure 1. Load Circuit and Voltage Waveforms

PARAMETER MEASUREMENT INFORMATION

$V_{CC} = 3.3\text{ V} \pm 0.3\text{ V}$



TEST	S1
t_{pd}	Open
t_{PLZ}/t_{PZL}	$2 \times V_{CC}$
t_{PHZ}/t_{PZH}	GND



- NOTES:
- A. C_L includes probe and jig capacitance.
 - B. Waveform 1 is for an output with internal conditions such that the output is low except when disabled by the output control. Waveform 2 is for an output with internal conditions such that the output is high except when disabled by the output control.
 - C. All input pulses are supplied by generators having the following characteristics: PRR $\leq 10\text{ MHz}$, $Z_O = 50\ \Omega$, $t_r \leq 2\text{ ns}$, $t_f \leq 2\text{ ns}$.
 - D. The outputs are measured one at a time with one transition per measurement.
 - E. t_{PLZ} and t_{PHZ} are the same as t_{dis} .
 - F. t_{PZL} and t_{PZH} are the same as t_{en} .
 - G. t_{PLH} and t_{PHL} are the same as t_{pd} .

Figure 2. Load Circuit and Voltage Waveforms

IMPORTANT NOTICE

Texas Instruments and its subsidiaries (TI) reserve the right to make changes to their products or to discontinue any product or service without notice, and advise customers to obtain the latest version of relevant information to verify, before placing orders, that information being relied on is current and complete. All products are sold subject to the terms and conditions of sale supplied at the time of order acknowledgement, including those pertaining to warranty, patent infringement, and limitation of liability.

TI warrants performance of its semiconductor products to the specifications applicable at the time of sale in accordance with TI's standard warranty. Testing and other quality control techniques are utilized to the extent TI deems necessary to support this warranty. Specific testing of all parameters of each device is not necessarily performed, except those mandated by government requirements.

CERTAIN APPLICATIONS USING SEMICONDUCTOR PRODUCTS MAY INVOLVE POTENTIAL RISKS OF DEATH, PERSONAL INJURY, OR SEVERE PROPERTY OR ENVIRONMENTAL DAMAGE ("CRITICAL APPLICATIONS"). TI SEMICONDUCTOR PRODUCTS ARE NOT DESIGNED, AUTHORIZED, OR WARRANTED TO BE SUITABLE FOR USE IN LIFE-SUPPORT DEVICES OR SYSTEMS OR OTHER CRITICAL APPLICATIONS. INCLUSION OF TI PRODUCTS IN SUCH APPLICATIONS IS UNDERSTOOD TO BE FULLY AT THE CUSTOMER'S RISK.

In order to minimize risks associated with the customer's applications, adequate design and operating safeguards must be provided by the customer to minimize inherent or procedural hazards.

TI assumes no liability for applications assistance or customer product design. TI does not warrant or represent that any license, either express or implied, is granted under any patent right, copyright, mask work right, or other intellectual property right of TI covering or relating to any combination, machine, or process in which such semiconductor products or services might be or are used. TI's publication of information regarding any third party's products or services does not constitute TI's approval, warranty or endorsement thereof.