

Circular Connectors C 16-3 Female cable connector size 2; straight, No. of contacts 12 + PE, 300 V

Part No. C016 10E012 005 2

Series Circular Connectors C 16-3

Subseries Circular Connector C 16-3



View represents all available contact positions.

| COMMON CHARACTERISTICS | | |
|--------------------------------|--|-----------------------------|
| No. of contacts | | 12 + PE |
| Version | | size 2; straight |
| Cable diameter | | 19-21 |
| ELECTRICAL CHARACTERISTICS | | |
| Rated voltage | DIN EN 60664-1 / IEC 60664-1 | 3 x 500 V 9 x 300 V |
| Rated voltage | UL 1977 | 3V |
| Rated impulse voltage | DIN EN 60664-1 / IEC 60664-1 | 3 x 6000 V 9 x 4000 V |
| Installation category | DIN EN 60664-1 / IEC 60664-1 | III |
| Insulation group | DIN EN 60664-1 / IEC 60664-1 | II |
| Insulation resistance | DIN EN 60512-2, Test 3a / IEC 60512-2, Test 3a | $\geq 10^8$ |
| Contact resistance | DIN EN 60512-2, Test 2a / IEC 60512-2 Test 2a | ≤ 5 m |
| Current carrying capacity | DIN EN 60512-3, Test 5b / IEC 60512-2 Test 5b | 3 x 21 A 9 x 11 A |
| Pollution degree | DIN EN 60664-1 / IEC 60664-1 | 3 |
| CLIMATICAL CHARACTERISTICS | | |
| Climatic category | DIN EN 60068-1 / IEC 60068-1 | 40 / 125 / 56 |
| Operating temperature | | -40°C ... +125°C |
| MECHANICAL CHARACTERISTICS | | |
| IP degree of protection | DIN EN 60529 / IEC 60529 | IP 65 |
| Insertion and withdrawal force | DIN EN 60512-13-2, Test 13b / IEC 60512-13-2, Test 13b | ≤ 25 N |
| Mechanical lifetime | DIN EN 60512-9-1, Test 9a | ≥ 500 Steckzyklen |
| Strain relief | | Cable retention |
| MATERIALS | | |
| Contact plating | | silver plated / gold plated |
| Housing | | Polyamid 6.6 |
| Gasket | | Neoprene |
| Dielectric material | | Polyamid 6.6 |
| FURTHER CHARACTERISTICS | | |
| Termination | | crimp |
| Wire gauge | | 0,09 - 2,5 mm ² |
| Wire gauge (AWG) | | 28 - 14 |
| Flammability | UL 94 | V-0 |
| Locking | | Bayonet |



3964



E63093



48932

Circular Connectors C 16-3 Female cable connector size 2; straight, No. of contacts 12 + PE, 300 V

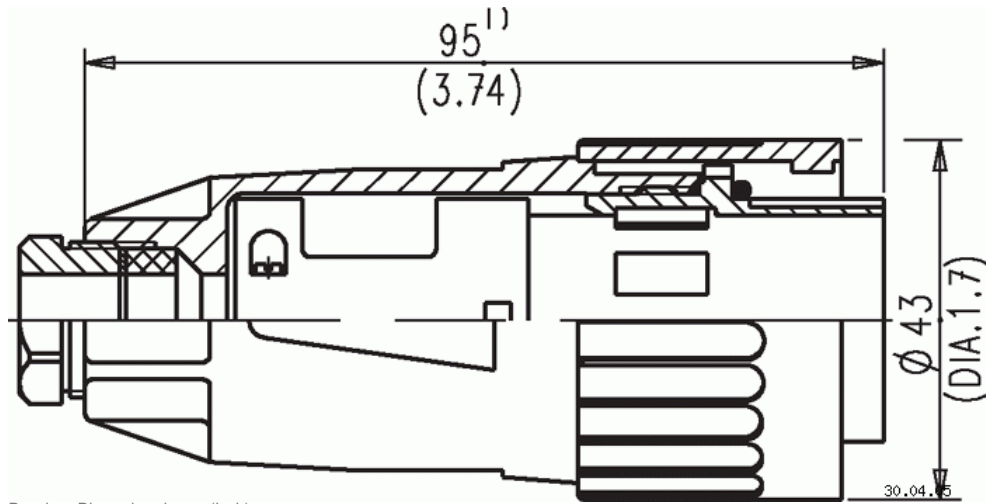
Part No. C016 10E012 005 2

Series Circular Connectors C 16-3

Subseries Circular Connector C 16-3



View represents all available contact positions.



Drawing Dimensions in mm (Inch)

Circular Connectors C 16-3 Female cable connector size 2; straight, No. of contacts 12 + PE, 300 V

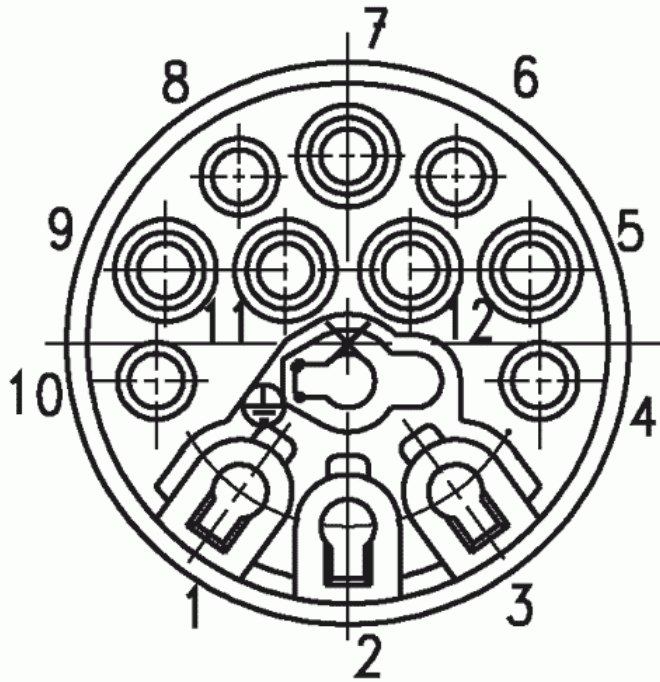
Part No. C016 10E012 005 2

Series Circular Connectors C 16-3

Subseries Circular Connector C 16-3



View represents all available contact positions.



Contact arrangement

30.04.05