

DATA SHEET

For a complete data sheet, please also download:

- The IC04 LOCMOS HE4000B Logic Family Specifications HEF, HEC
- The IC04 LOCMOS HE4000B Logic Package Outlines/Information HEF, HEC

HEF4520B **MSI** Dual binary counter

Product specification
File under Integrated Circuits, IC04

January 1995

Dual binary counter

HEF4520B MSI

DESCRIPTION

The HEF4520B is a dual 4-bit internally synchronous binary counter. The counter has an active HIGH clock input (CP₀) and an active LOW clock input (\overline{CP}_1), buffered outputs from all four bit positions (O₀ to O₃) and an active HIGH overriding asynchronous master reset input (MR). The counter advances on either the LOW to HIGH transition of the CP₀ input if \overline{CP}_1 is HIGH or the HIGH to

LOW transition of the \overline{CP}_1 input if CP₀ is low. Either CP₀ or \overline{CP}_1 may be used as the clock input to the counter and the other clock input may be used as a clock enable input. A HIGH on MR resets the counter (O₀ to O₃ = LOW) independent of CP₀, \overline{CP}_1 . Schmitt-trigger action in the clock input makes the circuit highly tolerant to slower clock rise and fall times.

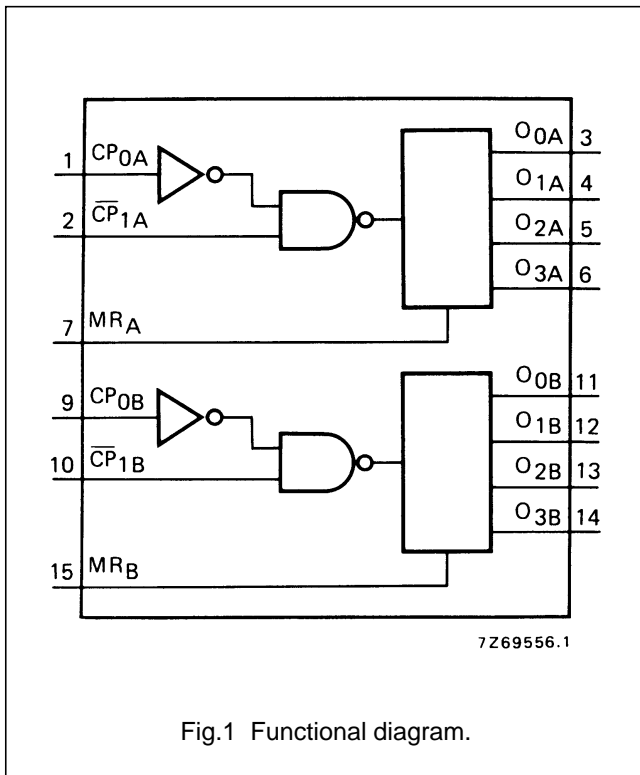


Fig.1 Functional diagram.

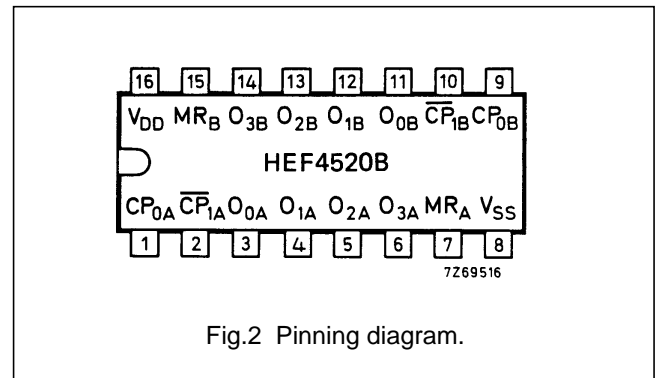


Fig.2 Pinning diagram.

- HEF4520BP(N): 16-lead DIL; plastic (SOT38-1)
- HEF4520BD(F): 16-lead DIL; ceramic (cerdip) (SOT74)
- HEF4520BT(D): 16-lead SO; plastic (SOT109-1) (SOT109-1)
- (): Package Designator North America

PINNING

- CP_{0A}, CP_{0B} clock inputs (L to H triggered)
- \overline{CP}_{1A} , \overline{CP}_{1B} clock inputs (H to L triggered)
- MR_A, MR_B master reset inputs
- O_{0A} to O_{3A} outputs
- O_{0B} to O_{3B} outputs

FAMILY DATA, I_{DD} LIMITS category MSI

See Family Specifications

Dual binary counter

HEF4520B
MSI

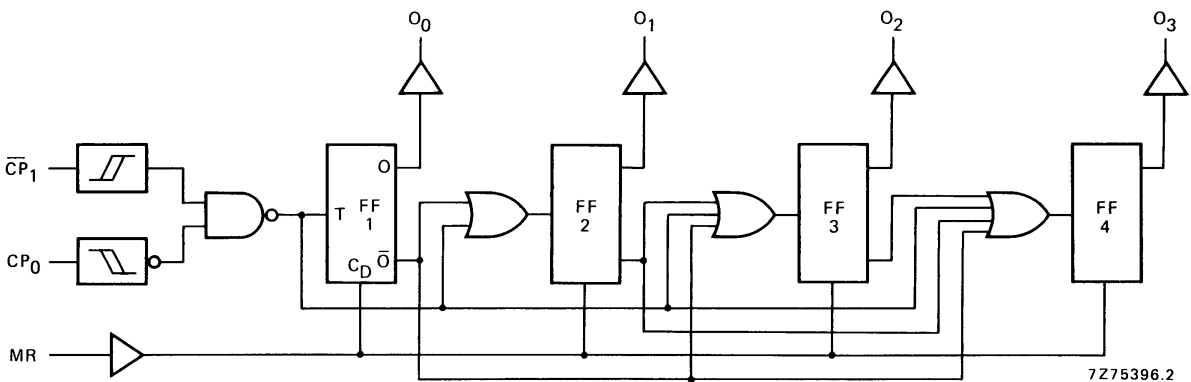


Fig.3 Logic diagram (one counter).

FUNCTION TABLE

CP ₀	$\overline{\text{CP}}_1$	MR	MODE
↗	H	L	counter advances
L	↘	L	counter advances
↘	X	L	no change
X	↗	L	no change
↗	L	L	no change
H	↘	L	no change
X	X	H	O ₀ to O ₃ = LOW

Notes

- H = HIGH state (the more positive voltage)
 L = LOW state (the less positive voltage)
 X = state is immaterial
 ↗ = positive-going transition
 ↘ = negative-going transition

Dual binary counter

HEF4520B
MSI**AC CHARACTERISTICS** $V_{SS} = 0$ V; $T_{amb} = 25$ °C; $C_L = 50$ pF; input transition times ≤ 20 ns

	V_{DD} V	SYMBOL	MIN.	TYP.	MAX.	TYPICAL EXTRAPOLATION FORMULA		
Propagation delays $CP_0, \overline{CP}_1 \rightarrow O_n$ HIGH to LOW	5	t_{PHL}		110	220	ns	$83 \text{ ns} + (0,55 \text{ ns/pF}) C_L$	
	10		50	100	ns	$39 \text{ ns} + (0,23 \text{ ns/pF}) C_L$		
	15		40	80	ns	$32 \text{ ns} + (0,16 \text{ ns/pF}) C_L$		
	LOW to HIGH	5	t_{PLH}		110	220	ns	$83 \text{ ns} + (0,55 \text{ ns/pF}) C_L$
		10		50	100	ns	$39 \text{ ns} + (0,23 \text{ ns/pF}) C_L$	
		15		40	80	ns	$32 \text{ ns} + (0,16 \text{ ns/pF}) C_L$	
	MR $\rightarrow O_n$ HIGH to LOW	5	t_{PHL}		75	150	ns	$48 \text{ ns} + (0,55 \text{ ns/pF}) C_L$
		10		35	70	ns	$24 \text{ ns} + (0,23 \text{ ns/pF}) C_L$	
		15		25	50	ns	$17 \text{ ns} + (0,16 \text{ ns/pF}) C_L$	
Output transition times HIGH to LOW	5	t_{THL}		60	120	ns	$10 \text{ ns} + (1,0 \text{ ns/pF}) C_L$	
	10		30	60	ns	$9 \text{ ns} + (0,42 \text{ ns/pF}) C_L$		
	15		20	40	ns	$6 \text{ ns} + (0,28 \text{ ns/pF}) C_L$		
	LOW to HIGH	5	t_{TLH}		60	120	ns	$10 \text{ ns} + (1,0 \text{ ns/pF}) C_L$
		10		30	60	ns	$9 \text{ ns} + (0,42 \text{ ns/pF}) C_L$	
		15		20	40	ns	$6 \text{ ns} + (0,28 \text{ ns/pF}) C_L$	
Minimum CP_0 pulse width; LOW	5	t_{WCPL}	60	30		ns	see also waveforms Figs 4 and 5	
	10		30	15		ns		
	15		20	10		ns		
Minimum \overline{CP}_1 pulse width; HIGH	5	t_{WCPH}	60	30		ns		
	10		30	15		ns		
	15		20	10		ns		
Minimum MR pulse width; HIGH	5	t_{WMRH}	30	15		ns		
	10		20	10		ns		
	15		16	8		ns		
Recovery time for MR	5	t_{RMR}	50	25		ns		
	10		30	15		ns		
	15		20	10		ns		
Set-up times $CP_0 \rightarrow \overline{CP}_1$	5	t_{su}	50	25		ns		
	10		30	15		ns		
	15		20	10		ns		
$\overline{CP}_1 \rightarrow CP_0$	5	t_{su}	50	25		ns		
	10		30	15		ns		
	15		20	10		ns		
Maximum clock pulse frequency	5	f_{max}	8	16		MHz		
	10		15	30		MHz		
	15		20	40		MHz		

Dual binary counter

HEF4520B
MSI

AC CHARACTERISTICS

$V_{SS} = 0\text{ V}$; $T_{amb} = 25\text{ }^{\circ}\text{C}$; input transition times $\leq 20\text{ ns}$

	V_{DD} V	TYPICAL FORMULA FOR P (μW)	
Dynamic power dissipation per package (P)	5	$850 f_i + \sum (f_o C_L) \times V_{DD}^2$	where f_i = input freq. (MHz) f_o = output freq. (MHz) C_L = load capacitance (pF) $\sum(f_o C_L)$ = sum of outputs V_{DD} = supply voltage (V)
	10	$3\ 800 f_i + \sum (f_o C_L) \times V_{DD}^2$	
	15	$10\ 200 f_i + \sum (f_o C_L) \times V_{DD}^2$	

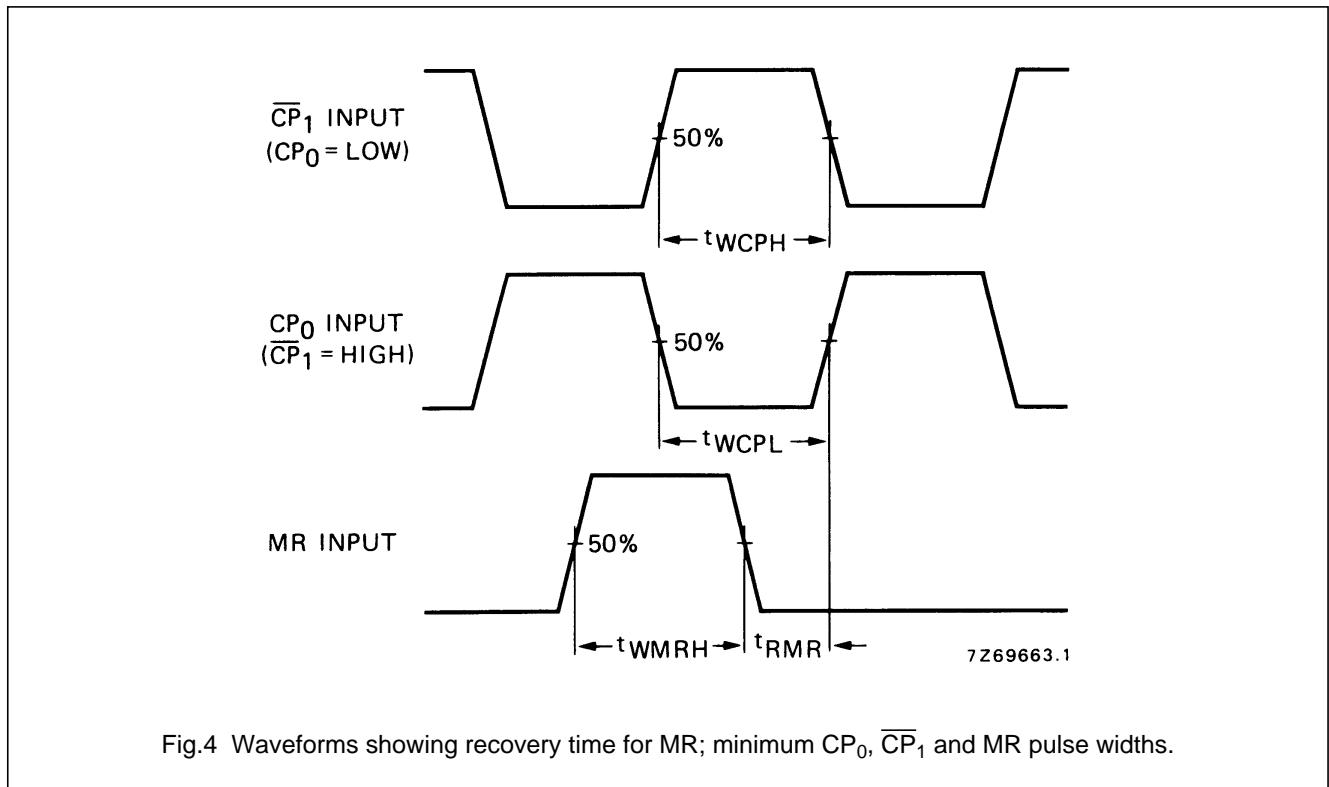


Fig.4 Waveforms showing recovery time for MR; minimum CP_0 , \overline{CP}_1 and MR pulse widths.

Dual binary counter

HEF4520B
MSI

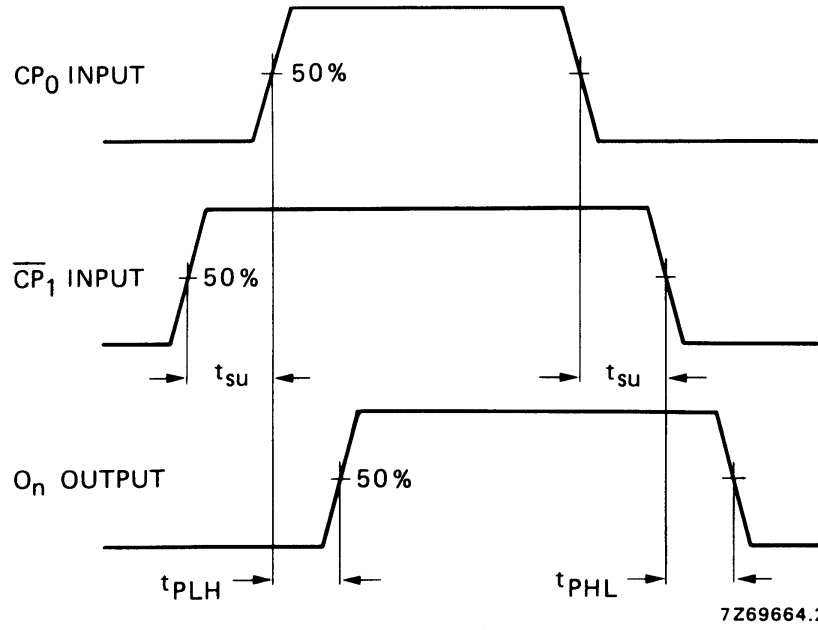


Fig.5 Waveforms showing set-up times for CP₀ to CP₁ and CP₁ to CP₀, and propagation delays.

Dual binary counter

HEF4520B
MSI

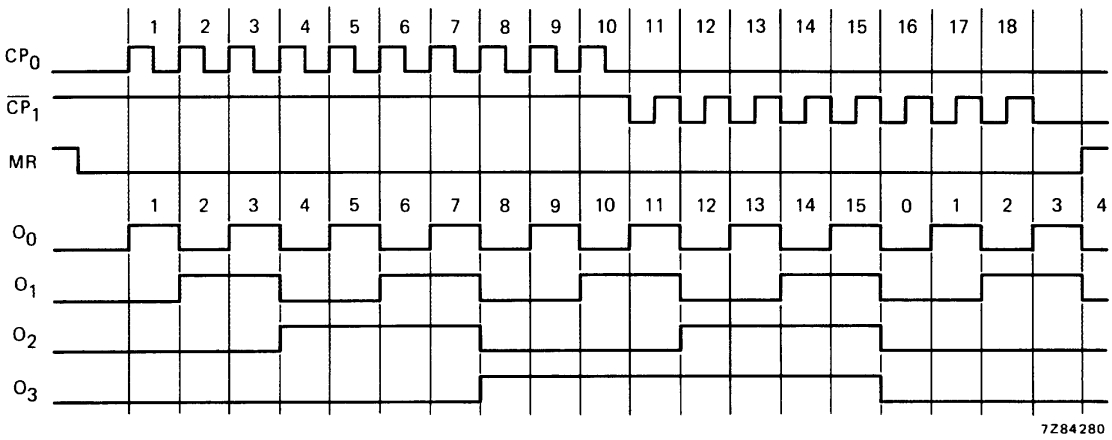


Fig.6 Timing diagram.