

PART NAME: BALL KNOB SCALE: 1:1 DATE: 1/29/92 DR. BY HD

THIS DRAWING IS THE PROPERTY OF DAVIES MOLDING COMPANY, IS SUBMITTED SOLELY AS A DESIGN OR ENGINEERING PROJECT. WE ACCEPT NO RESPONSIBILITY WHATSOEVER FOR THE PRACTICAL APPLICATION OF THE PIECES MADE TO THIS DESIGN.

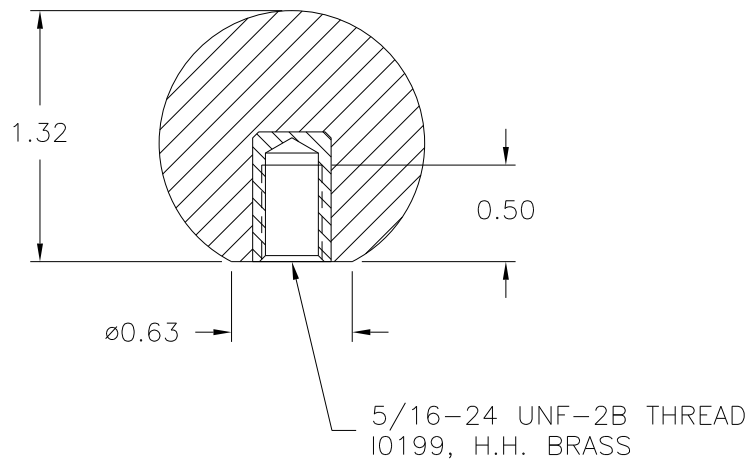
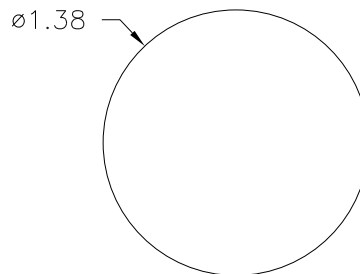


DESIGNERS & MANUFACTURERS OF KNOBS, HANDLES, CASES & CUSTOM PLASTIC COMPONENTS

P/N 0033-M

M^{NO.} 3220

| | |
|---------|----------|
| CAVITY | 0033 |
| PLUNGER | 0033 |
| PINS | 33-J&J-1 |
| SHIM | 0.220 |
| INSERT | I0199 |



Ⓐ

MATERIAL: #4311 PHENOLIC (B41)
COLOR: BLACK

| | | | | | |
|---|----------------------------------|---------|---------------|-----|----------|
| TOLERANCES: UNLESS OTHERWISE SPECIFIED | DO NOT SCALE DRAWING | A | WAS #2511 | JAM | 4/22/13 |
| | | - | RE-DID REDRAW | TL | 10/28/99 |
| DECIMALS: X.XXX ± .005 X.XX ± .015 | MM: X.XX ± 0.15MM X.X ± 0.4MM | - | CAD REDRAW | HD | 11/19/92 |
| FRACTIONS ± 1/64 | ANG. ± 1° | CHANGES | | | |