



Main

| | |
|-------------------------------|--|
| Range of product | OsiSense XU |
| Series name | Application |
| Electronic sensor type | Photo-electric sensor |
| Sensor name | XUY |
| Sensor design | Fork |
| Detection system | Thru beam |
| Emission | Infrared LED, modulated |
| Passage width | 0.2 in (5 mm) |
| Passage depth | 2.32 in (59 mm) |
| Material | Metal/plastic |
| Supply circuit type | DC |
| Wiring technique | 4-wire |
| Discrete output type | PNP and NPN |
| Discrete output function | 1 NO or 1 NC programmable |
| Electrical connection | 1 male connector M8, 4 pins |
| Product specific application | Detection of double sheet Detection of labels Detection of reference marks Detection on vibrating rail Detection on small conveyor |
| [Sn] nominal sensing distance | 0.2 in (5 mm) |

Complementary

| | |
|---------------------------------------|---|
| Enclosure material | Painted aluminium and polyamide/glass |
| Keypad type | Yellow |
| Minimum object diameter for detection | 0.01 in (0.2 mm) |
| Type of output signal | Discrete |
| Output type | Solid state |
| Status LED | 1 LED (red) adjustment mode and keypad locking 1 LED (yellow) output state |
| [Us] rated supply voltage | 12...24 V DC with reverse polarity protection |
| Supply voltage limits | 10...30 V DC |
| Switching capacity in mA | 100 mA (overload and short-circuit protection) |
| Switching frequency | 10 kHz |
| Voltage drop | < 2 V (closed state) |
| Current consumption | 40 mA (no-load) |
| Load capacitance | 330 nF |
| Time response | -20...20 µs |
| Setting-up | Self teaching |
| Product weight | 0.42 lb(US) (0.19 kg) |

Environment

| | |
|---------------------------------------|--|
| product certifications | CE CULus |
| ambient air temperature for operation | -4...140 °F (-20...60 °C) |
| ambient air temperature for storage | -22...176 °F (-30...80 °C) |
| immunity to ambient light | 10000 lux with natural light 5000 lux with incandescent bulb |
| vibration resistance | 7 gn, amplitude = +/- 0.75 mm (f = 10...55 Hz) conforming to IEC 60068-2-6 |
| shock resistance | 30 gn (duration = 11 ms) conforming to IEC 60068-2-27 |

The information provided in this documentation contains general descriptions and/or technical characteristics of the products contained herein. This documentation is not intended as a substitute for and is not to be used for determining suitability or reliability of these products for specific user applications. It is the duty of any such user or integrator to perform the appropriate and complete risk analysis, evaluation and testing of the products with respect to the relevant specific application or use thereof. Neither Schneider Electric Industries SAS nor any of its affiliates or subsidiaries shall be responsible or liable for misuse of the information contained herein.

Offer Sustainability

Not Green Premium product

Not Green Premium product

Compliant - since 0648 - Schneider Electric declaration of conformity

Compliant - since 0648 - Schneider Electric declaration of conformity

WARNING: This product can expose you to chemicals including:

WARNING: This product can expose you to chemicals including:

Diisononyl phthalate (DINP), which is known to the State of California to cause cancer, and

Diisononyl phthalate (DINP), which is known to the State of California to cause cancer, and

Di-isodecyl phthalate (DIDP), which is known to the State of California to cause birth defects or other reproductive harm.

Di-isodecyl phthalate (DIDP), which is known to the State of California to cause birth defects or other reproductive harm.

For more information go to www.p65warnings.ca.gov

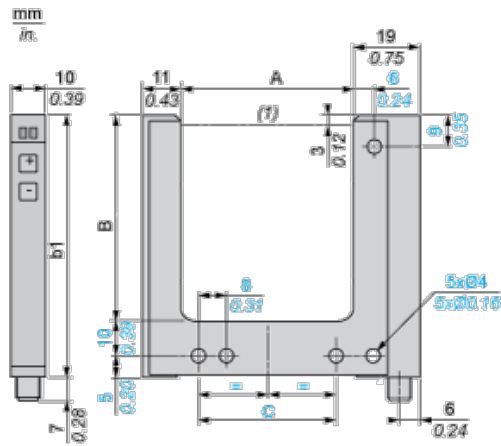
For more information go to www.p65warnings.ca.gov

Contractual warranty

Warranty period

18 months

Dimensions



(1) Optical axis

Dimensions in mm

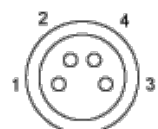
| A | B | b1 | C |
|---|----|----|----|
| 5 | 59 | 74 | 14 |

Dimensions in in.

| A | B | b1 | C |
|------|------|------|------|
| 0.20 | 2.32 | 2.91 | 0.55 |

Wiring Schemes

M8 Connector



- 1 : BN: Brown
- 2 : WH: White
- 3 : BU: Blue
- 4 : BK: Black

4-Wire, PNP/NPN Outputs



BN : Brown

WH :White

BK : Black

BU : Blue