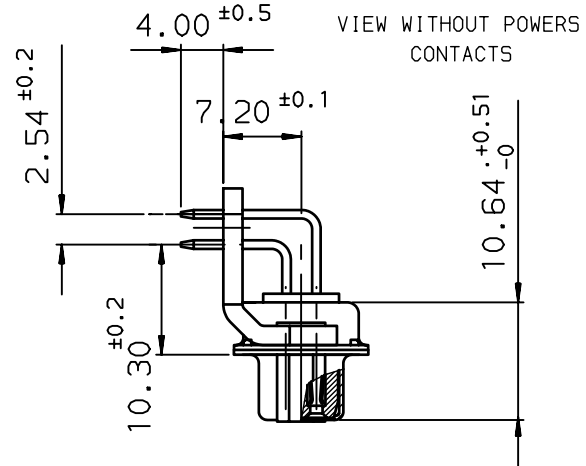
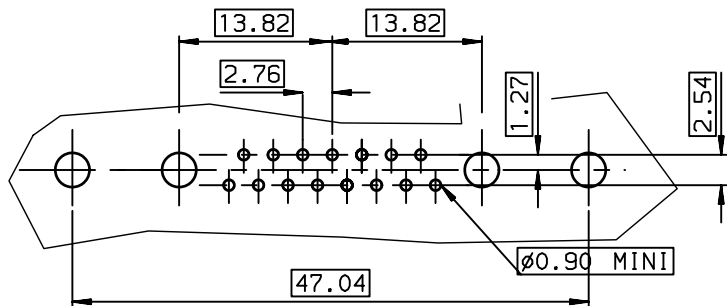


LAYOUT DIMENSIONS (after plating)  
CONNECTOR SIDE VIEW



TIN LEAD PART NUMBER

DBV17W2S500M40	UNC 4.40
PART NUMBER	Threaded A

LEAD FREE PART NUMBER

DBV17W2S500M40LF	UNC 4.40
PART NUMBER	Threaded A

GENERAL CHARACTERISTICS AND ROHS INFORMATIONS:  
SEE DRAWING C01-8639-0000

European Views

www.fciconnect.com		surface ISO 1302 ✓	tolerance std ISO 406 ISO 1101	projection mm
		TOLERANCES UNLESS OTHERWISE SPECIFIED		mm
Dr	JARRY	2002/11/14	0.X ±0.1	size A3
Eng	PESSON	2002/11/14	0.XX ±0.1	Scale 2
Chr	LEGARE	2002/11/14	0.XX ±2*	ECN LS06-0095
Appr	LEGARE	2002/11/14	0.XXX ±0.1	Spec ref -
		Product family	D-SUB	
FCI		SOCKET CONNECTOR 17W2		Rev. D
		FOR POWER CONTACTS 40A		dwg no C01-8639-2007
		catalog no	-	CUSTOMER sheet 1 of 1

rev	ecn no	dr	date
B	-	DEB	2003/09/19
C	LS05-001	MPE	2005/03/10
D	LS06-0095	LGO	2006/07/01
-	-	-	-
-	-	-	-
-	-	-	-



Copyright FCI.