

PART NAME: KNOB

SCALE: 1:1

DATE: 1/15/98

DR. BY HD

DAVIES MOLDING COMPANY
CAROL STREAM, ILLINOIS 60188

P/N 1216BP

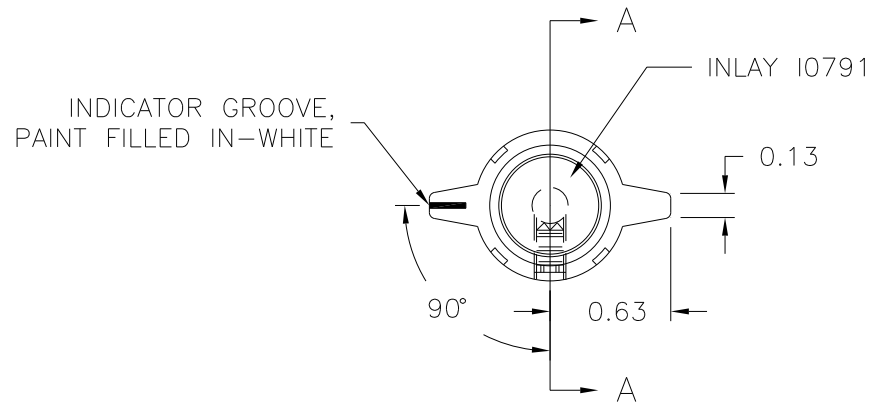
THIS DRAWING IS THE PROPERTY OF DAVIES MOLDING COMPANY, IS SUBMITTED SOLELY AS A DESIGN OR ENGINEERING PROJECT.
WE ACCEPT NO RESPONSIBILITY WHATSOEVER FOR THE PRACTICAL APPLICATION OF THE PIECES MADE TO THIS DESIGN.

BASE PART 1216-13

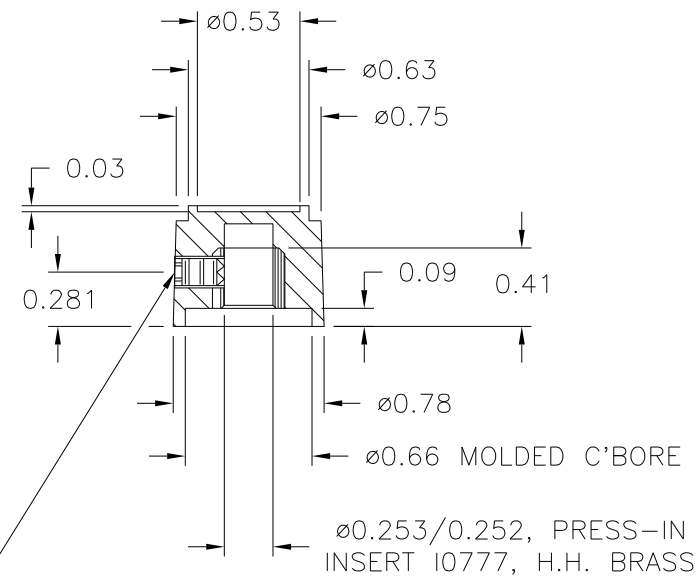
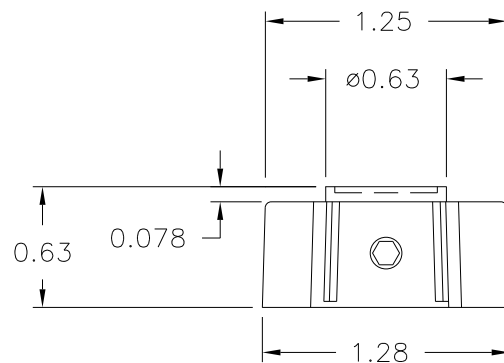
INSERT I0777

SET SCREW I1266

INLAY I0791



SECTION A-A



USE #28 DRILL (∅0.140), #8-32 TAP,
#8-32 THREAD X 1/4 LG. CUP POINTED
SOCKET TYPE SET SCREW I1266 (1)

MATERIAL: G.P. PHENOLIC (B11)
COLOR: BLACK

TOLERANCES: UNLESS OTHERWISE SPECIFIED		DO NOT SCALE DRAWING					
DECIMALS:	X.XXX ± .005 X.XX ± .015	MM:	X.XX ± 0.15MM X.X ± 0.4MM	A	WAS 1216-02	JAM	7/26/16
				-	UPDATED/HAD TOOLBOX	ST	6/23/2000
FRACTIONS ± 1/64		ANG. ± 1°		CHANGES			