

THIS DRAWING IS UNPUBLISHED.

RELEASED FOR PUBLICATION

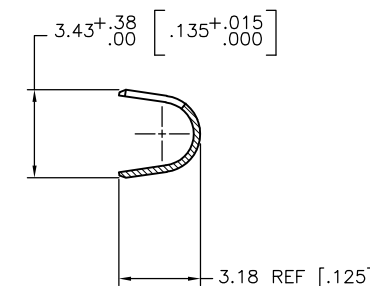
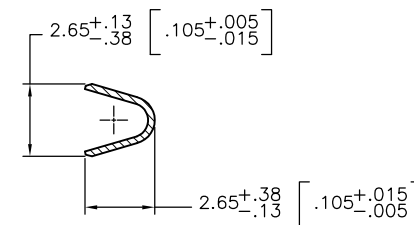
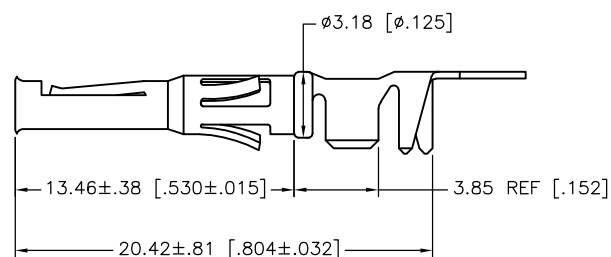
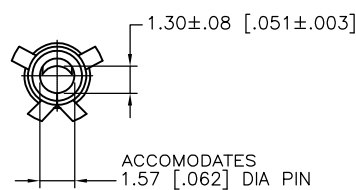
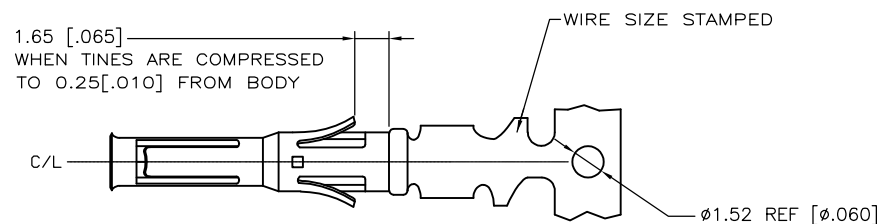
ALL RIGHTS RESERVED.

© COPYRIGHT - By -

LOC FT DIST 0

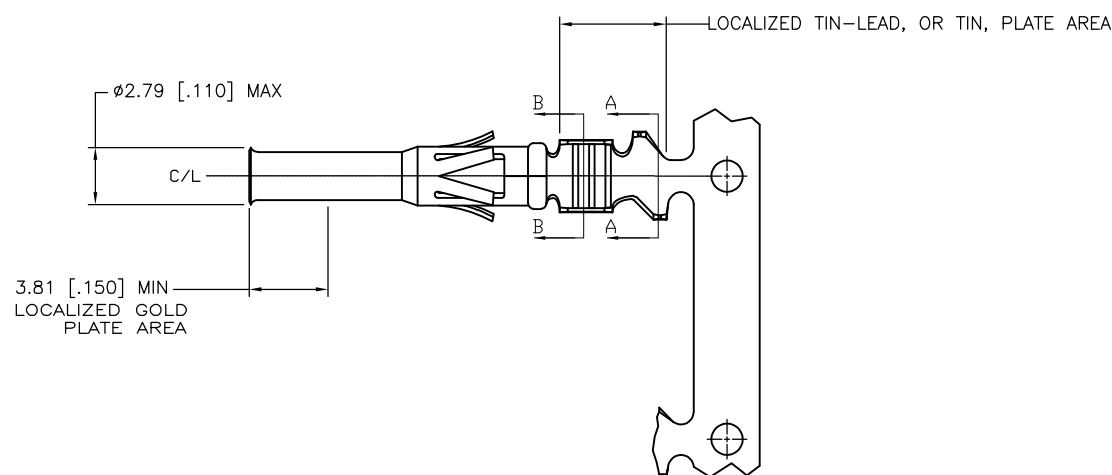
REVISIONS

P	LTR	DESCRIPTION	DATE	DWN	APVD
	D1	REVISED PER ECO-11-004917	11MAR11	RK	HMR



SECTION B-B

SECTION A-A



1. WIRE RANGE 22-18 AWG.
 2. INSULATION RANGE 2.79-1.27 [.110-050] DIA.
 3. FOR LOOSE PIECE PART SEE DWG 66592.
- ⚠ 0.76µm [.000030] MIN GOLD IN LOCALIZED GOLD PLATE AREA, 1.27µm [.000050] MIN TIN-LEAD IN LOCALIZED TIN-LEAD PLATE AREA, BOTH OVER 1.27µm [.000050] MIN NICKEL.
 - ⚠ TIN PLATED.
 - ⚠ GOLD PLATING PER MIL-G-45204, TIN PER MIL-T-10727 AND NICKEL PER QQ-N-290.
 - ⚠ 0.76µm [.000030] MIN GOLD IN LOCALIZED GOLD PLATE AREA, 1.27µm [.000050] MIN TIN IN LOCALIZED TIN PLATE AREA, BOTH OVER 1.27µm [.000050] MIN NICKEL.

DESCRIPTION	FINISH	
REVERSE REELED FOR MINI-APPLICATOR	⚠	66582-7
REVERSE REELED FOR MINI-APPLICATOR	⚠	66582-4
-	⚠	66582-3
REVERSE REELED FOR MINI-APPLICATOR	⚠	66582-2
-	⚠	66582-1

OBSOLETE

THIS DRAWING IS A CONTROLLED DOCUMENT.		DWN V. FURLER 15MAY2003	TE Connectivity	
DIMENSIONS: mm [INCHES]		CHK G. STEINHAUER 16MAY03		
TOLERANCES UNLESS OTHERWISE SPECIFIED:		APVD G. STEINHAUER 16MAY03	NAME	
0 PLC ± - 1 PLC ± - 2 PLC ± 0.13 [.005] 3 PLC ± - 4 PLC ± - ANGLES ± -		PRODUCT SPEC -	CONTACT, SOCKET, STRIP, TYPE VI, MULTIMATE	
MATERIAL BRASS MIL-C-50		FINISH SEE TABLE ⚠	APPLICATION SPEC -	RESTRICTED TO -
		WEIGHT -	SIZE A3	CAGE CODE 00779
			DRAWING NO C-66582	SCALE 8.5:1
				SHEET 1 OF 1
				REV D1