

DETAILS

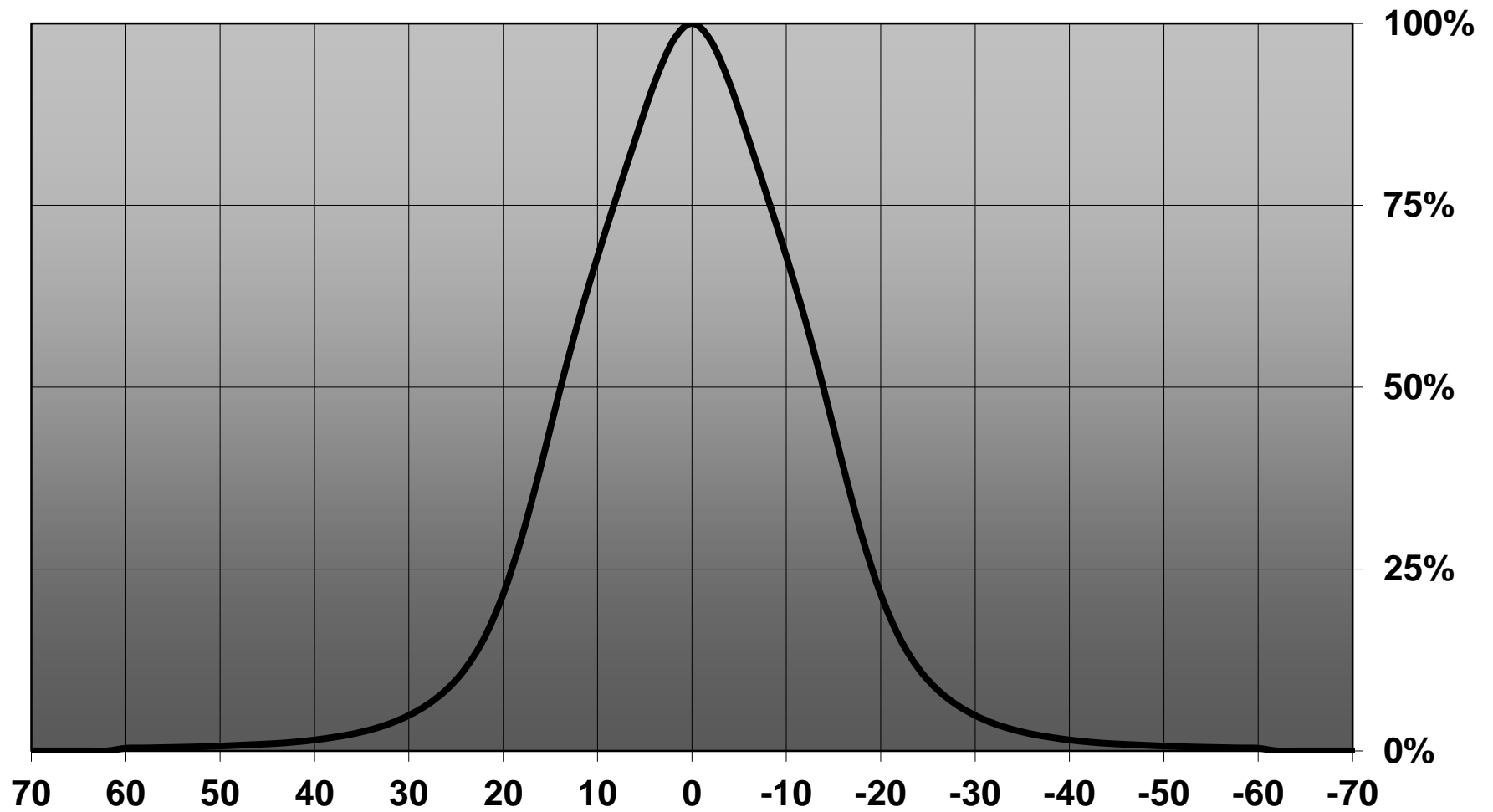
Product Number	FCN12774_IRIS-M
Family	Iris
Type	Pack
Color	black
Diameter	38 mm
Height	28.8 mm
Style	round
Optic Material	PMMA
Holder Material	PC
Fastening	screw, pin, glue
Status	ready
ROHS Compliant	Yes
Date Updated	8/10/2012

OPTICAL PROPERTIES

LED	Viewing Angle	Light Beam	Efficiency	cd/lm	Connector
XM-L	28 deg	Medium	84 %	1.400	-
XHP50	28 deg	Medium	84 %	2.800	-
XM-L2	29 deg	Medium	80 %	2.900	-



Relative intensity of FCA12777 & FCN12774_IRIS-M-XML

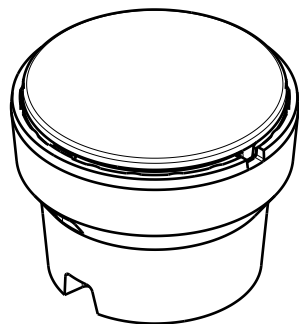


D

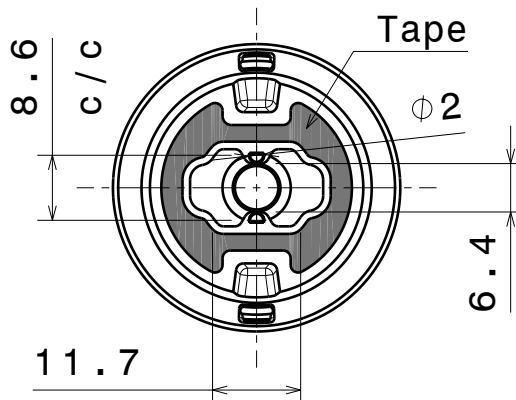
C

B

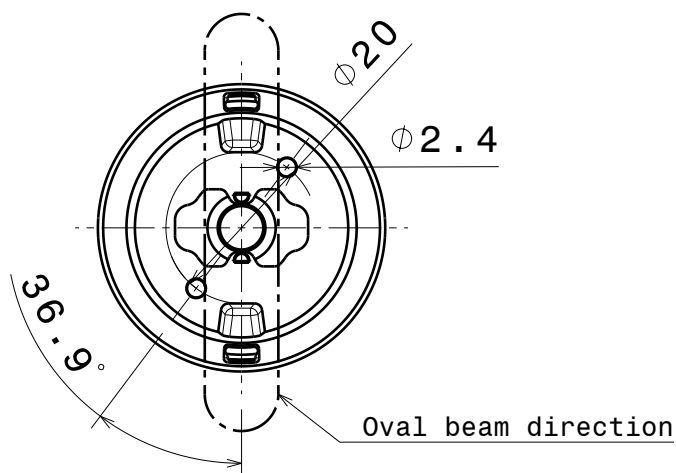
A



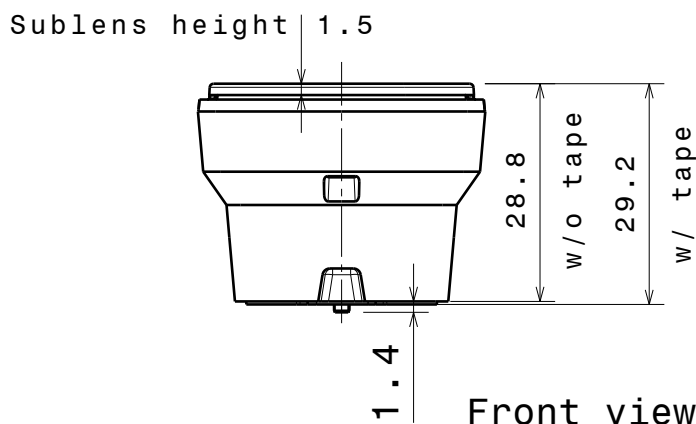
Isometric view



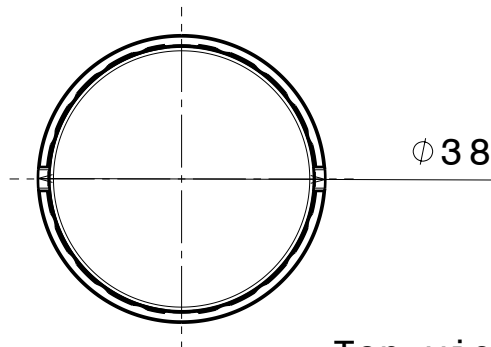
Bottom view



Bottom view without tape



Front view



Top view

Materials

Lens: PMMA
 Sublens: PC
 Holder: PC
 Tape: PU Foam

This drawing is our property.
 It can't be reproduced
 or communicated without
 our written agreement.



Ledil Oy
 Salorankatu 10
 FIN 24240 SALO
 Finland

DRAWING TITLE Mechanical drawing
 IRIS-XM

DRAWN BY as	DATE 17.9.2012
CHECKED BY sn	DATE -
DESIGNED BY -	DATE -

SIZE A4	PART NUMBER	REV 001
SCALE 1:1	WEIGHT -	SHEET 1/1

D

A

4

4

3

3

2

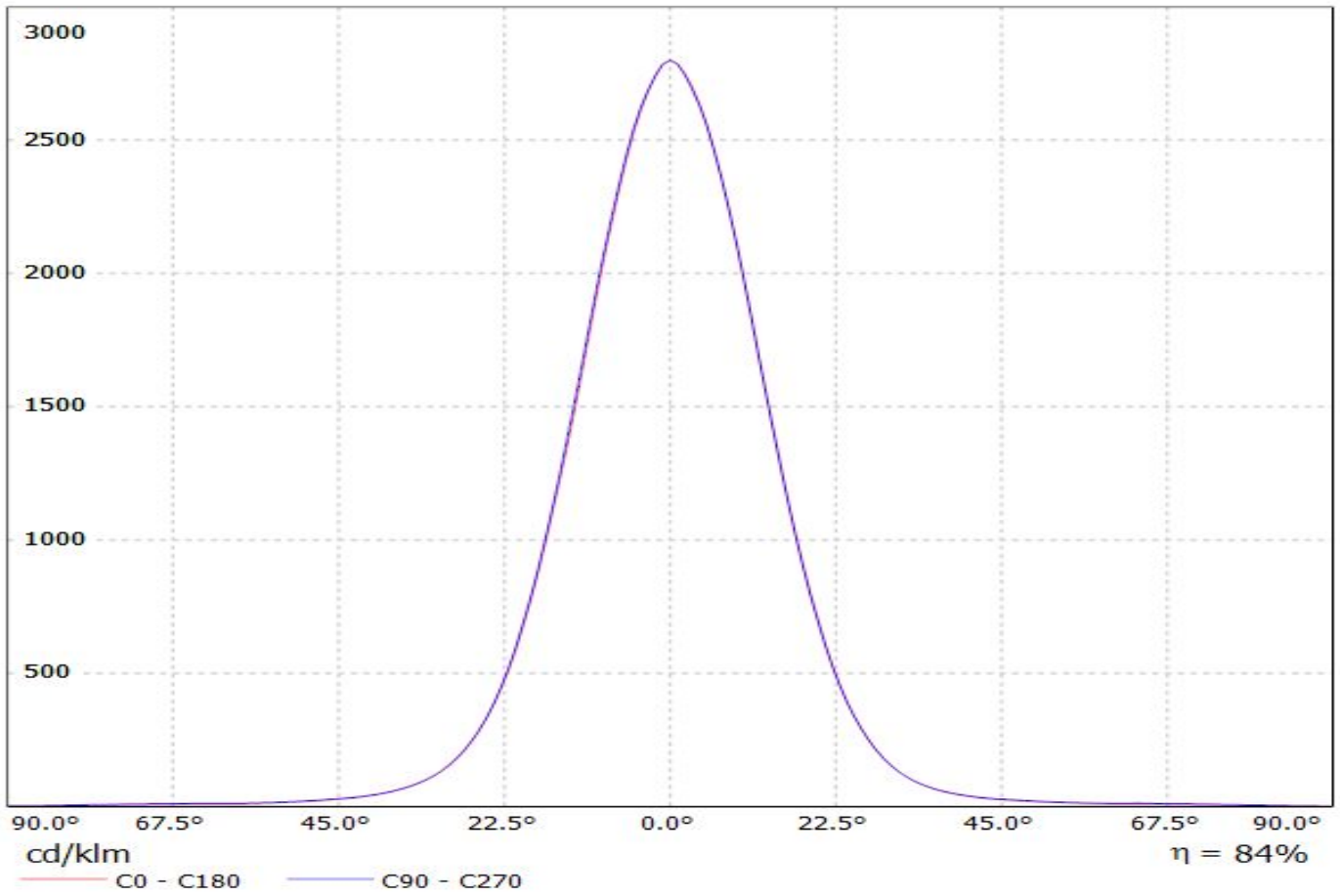
2

1

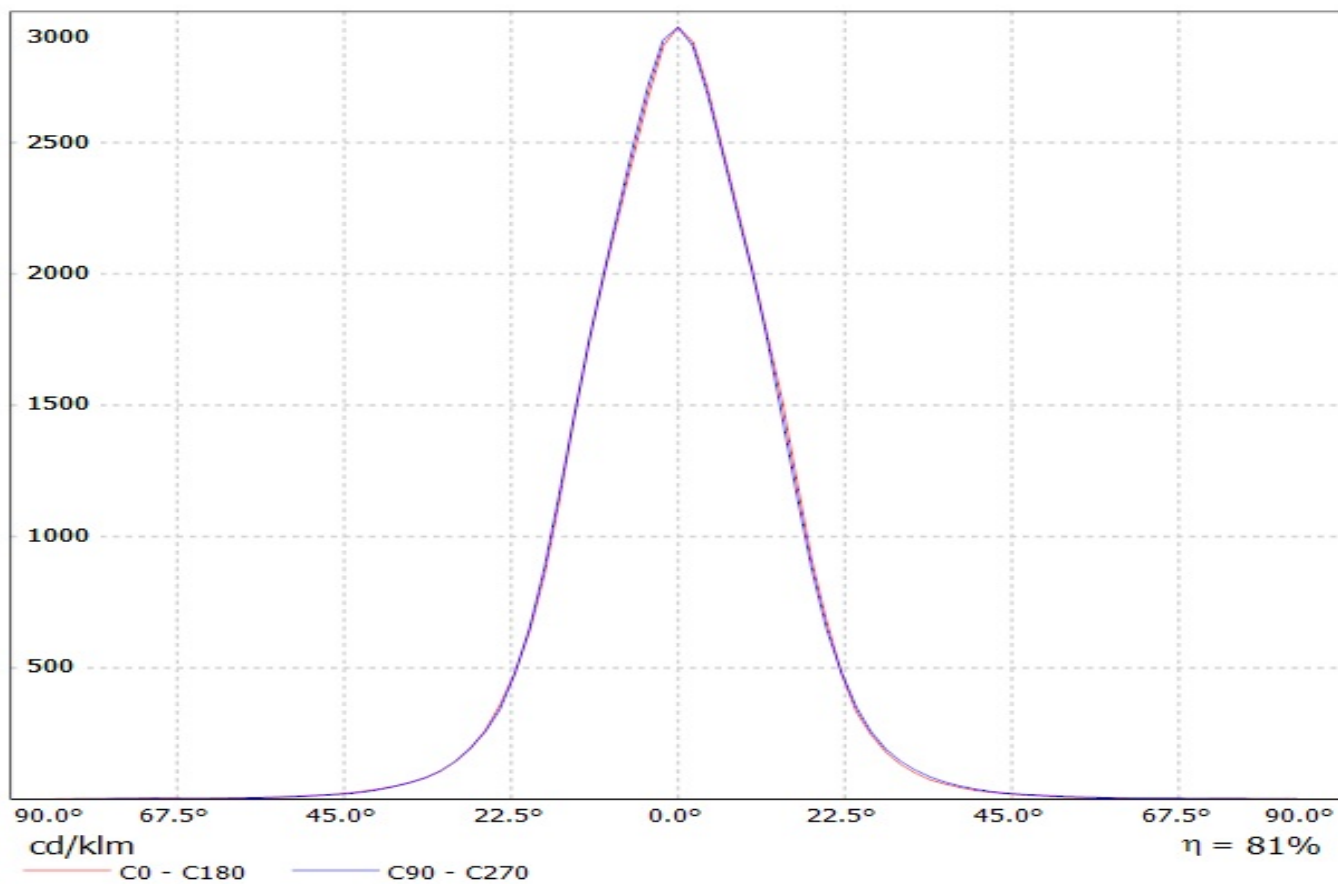
1

Luminaire: LEDiL Oy FCN12774_IRIS-M_(Cree XHP50 (WW))

Lamps: 1 x Cree_XHP50_(WW)_195.177lm@250mA_P=1.39754W_I=0.2499A

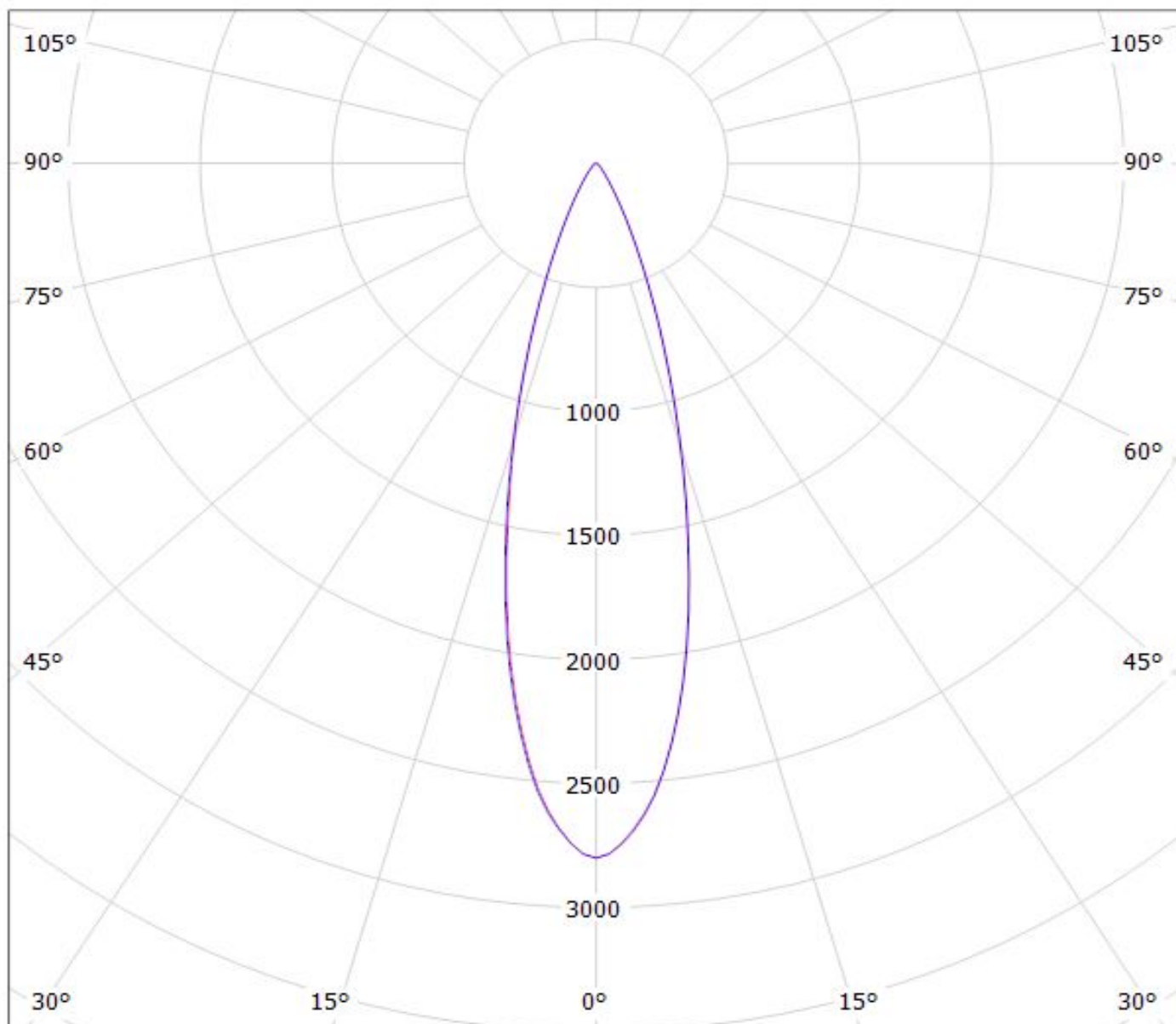


Luminaire: LEDil Oy FCN12774_IRIS-M_(XM-L2) Efficiency=80%
Lamps: 1 x Cree XM-L2 (XMLBWT-0-7B4-T30-0L-0001) 91lm @ 250mA CCT=3200K P=0.7W I=250mA



Luminaire: LEDiL Oy FCN12774_IRIS-M_(Cree XHP50 (WW))

Lamps: 1 x Cree_XHP50_(WW)_195.177lm@250mA_P=1.39754W_I=0.2499A



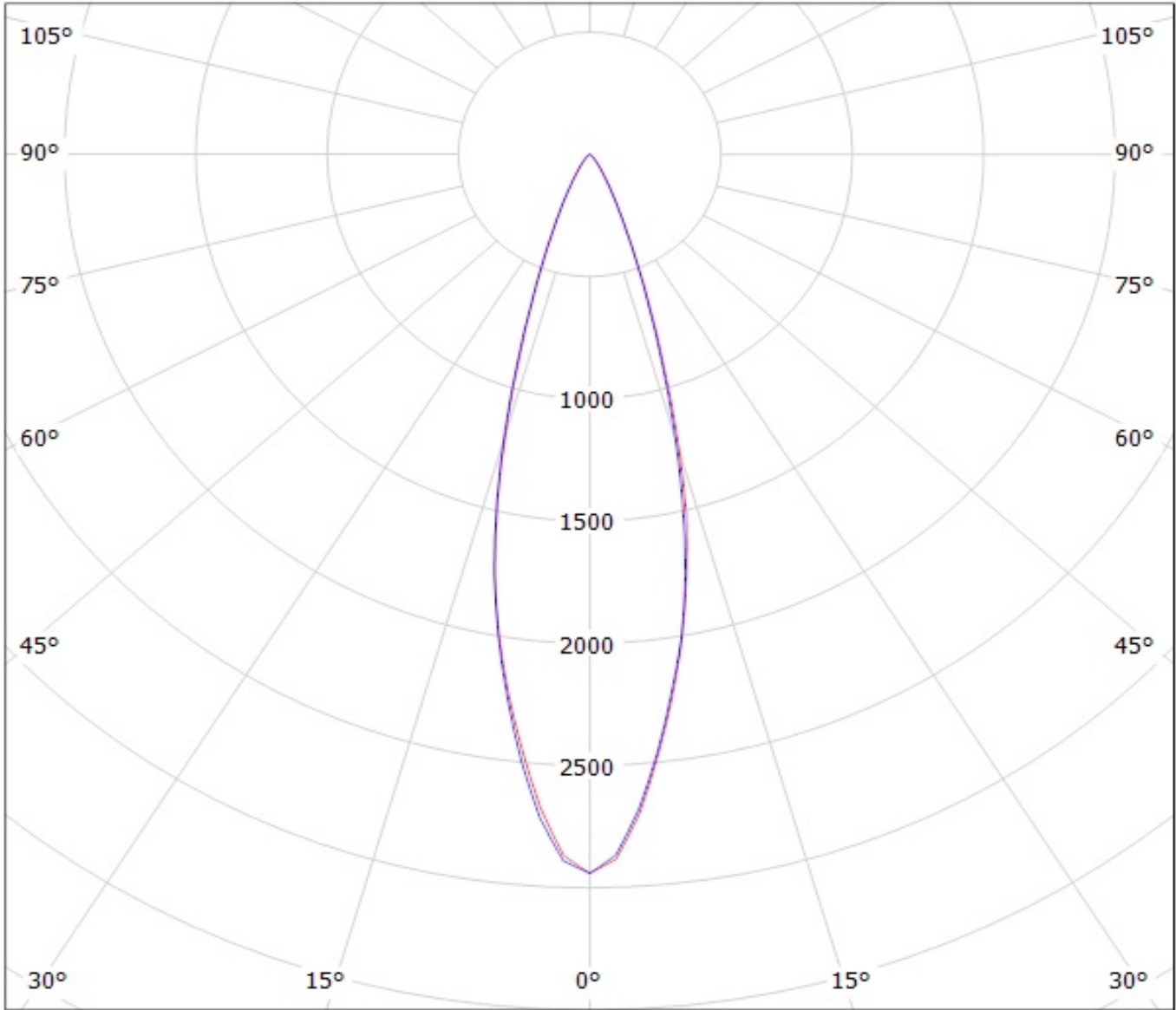
cd/klm

— C0 - C180

— C90 - C270

$\eta = 84\%$

Luminaire: LEDil Oy FCN12774_IRIS-M_(XM-L2) Efficiency=80%
Lamps: 1 x Cree XM-L2 (XMLBWT-0-7B4-T30-0L-0001) 91lm @ 250mA CCT=3200K P=0.7W I=250mA



cd/klm

— C0 - C180 — C90 - C270

$\eta = 81\%$

NOTE: The typical divergence will be changed by different color, chip size and chip position tolerance. The typical total divergence is the full angle measured where the luminous intensity is half of the peak value.