

# MAXI STYLE SPLASH RESISTANT FUSE HOLDER

For MAXI® Blade Fuses



## Description

The Inline Splash Resistant Fuse Holder provides an efficient, simple installation method for MAXI® / FK3-style fuse applications in harsh under-the-hood environments. Protected to IP54 rating.

- \* PA66-GF30: heat resistant
- \*\* UL 94-V0: self extinguishing

## Recommended Fuse

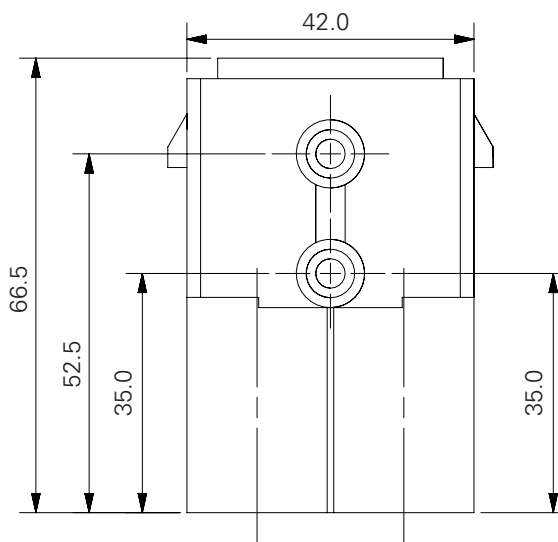
MAXI® Blade Fuses  
Voltage Rating: 60A-80A



## Ordering Components

PART NUMBER	DESCRIPTION	PACKAGE SIZE
01520903TXN	PA66-GF30* Inline Splash Resistant Fuse Holder Cover	10
868-905	Wire seals for wire Ø 2.5 - 6 mm <sup>2</sup> ,	1000
08680905TXN	Wire seals for wire Ø 2.5 - 6 mm <sup>2</sup>	10
868-906	Wire seals for wire Ø 6 - 10 mm <sup>2</sup>	1000
08680906TXN	Wire seals for wire Ø 6 - 10 mm <sup>2</sup>	10

## Dimensions in mm



## Ordering Information

PART NUMBER	DESCRIPTION	CURRENT RATING	VOLTAGE RATING	PACKAGE SIZE
01520003U	Fuse Holder Body w/ Molded Holes	80A	32VDC	500
01520003TXN941	01520003_ Fuse Holder Kit w/ cover & wire seals for 4-6mm <sup>2</sup> wire	80A	32VDC	10
01520003TXN942	01520003_ Fuse Holder Kit w/ cover & wire seals for 6-10mm <sup>2</sup> wire	80A	32VDC	10
01520004Z	60A Fuse Holder Body w/ Molded Mounting Tabs & 6mm Hole	60A	32VDC	250
01520005Z	60A Fuse Holder Body	60A	32VDC	250
01520006Z	60A Fuse Holder Body w/ Molded Mounting Tabs	60A	32VDC	250
01520007Z	Cover & O-Ring Assembly	—	—	750
279.6800.0002	** UL94-V0 Holder Housing	80A	—	100
279.6850.0402	Assortment: Fuse Holder 279.6800.000 with seals and cover for 4mm <sup>2</sup>	80A	—	10
279.6850.0602	Assortment: Fuse Holder 279.6800.000 with seals and cover for 6-10mm <sup>2</sup>	80A	—	10
279.6850.1602	Assortment: Fuse Holder 279.6800.000 with seals and cover for 16mm <sup>2</sup>	80A	—	10