

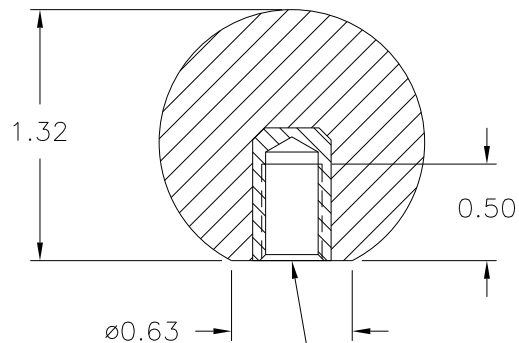
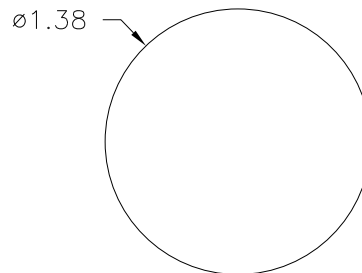
PART NAME: BALL KNOB SCALE: 1:1 DATE: 7/2/85 DR. BY HD

THIS DRAWING IS THE PROPERTY OF DAVIES MOLDING COMPANY, IS SUBMITTED SOLELY AS A DESIGN OR ENGINEERING PROJECT. WE ACCEPT NO RESPONSIBILITY WHATSOEVER FOR THE PRACTICAL APPLICATION OF THE PIECES MADE TO THIS DESIGN.



DESIGNERS & MANUFACTURERS OF KNOBS, HANDLES, CASES & CUSTOM PLASTIC COMPONENTS

P/N	0033-E
M ^{NO.}	3220
CAVITY	0033
PLUNGER	0033
PINS	35-E&E-2
SHIM	0.220
INSERT	I0528



5/16-18 UNC-2B THREAD
I0528, H.H. BRASS

MATERIAL: G.P. PHENOLIC (B11)
COLOR: BLACK

TOLERANCES: UNLESS OTHERWISE SPECIFIED	DO NOT SCALE DRAWING				
DECIMALS: X.XXX ± .005 X.XX ± .015	MM: X.XX ± 0.15MM X.X ± 0.4MM	-	RE-DID REDRAW	TL	10/28/99
FRACTIONS ± 1/64	ANG. ± 1°	-	CAD REDRAW	HD	6/9/92
CHANGES					