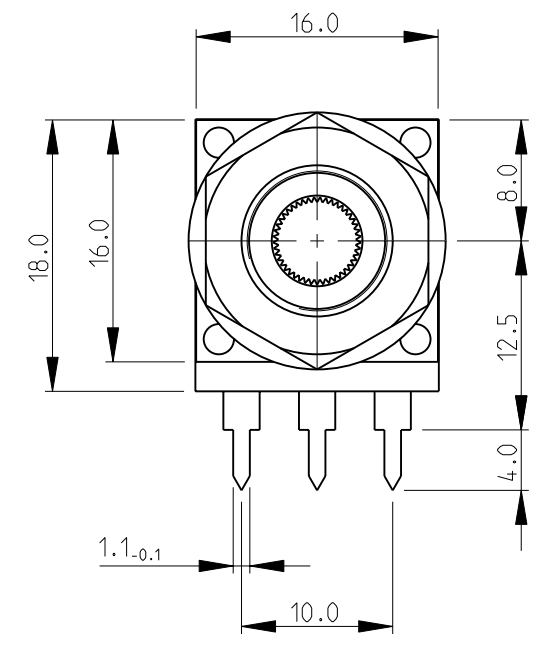
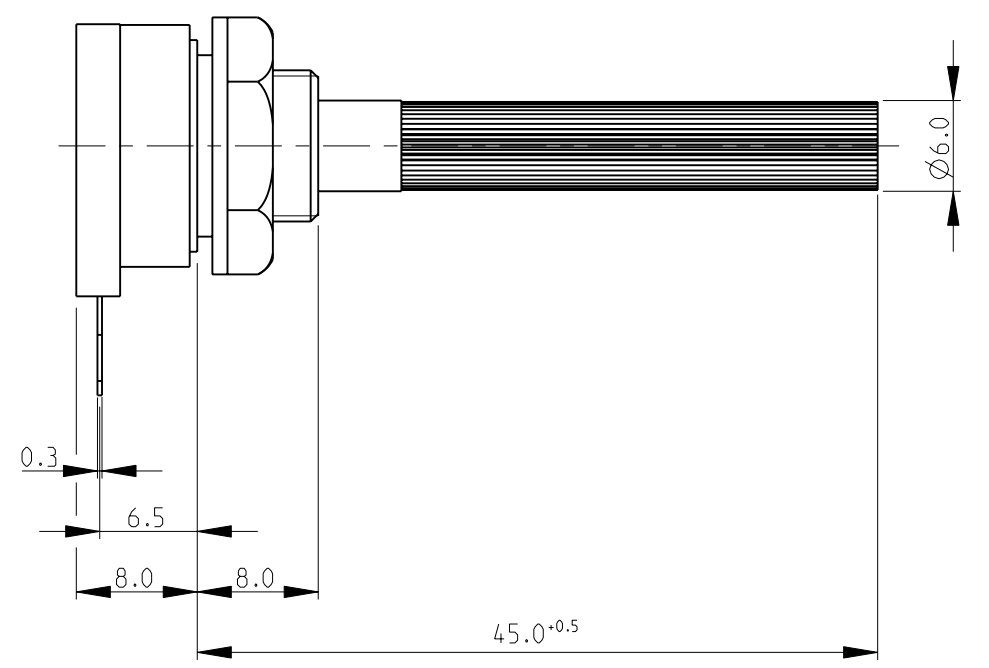


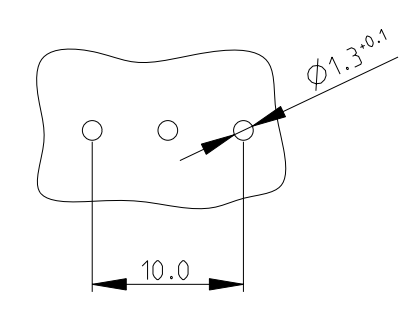
THIS DRAWING IS UNPUBLISHED. RELEASED FOR PUBLICATION 2008  
 © COPYRIGHT 2008 BY - ALL RIGHTS RESERVED.

LOC		DIST		REVISIONS			
P	LTR	DESCRIPTION	DATE	DWN	APVD		
BA1		REVISED PER ECO-11-005150	28MAR2011	RK	HMR		

SERIES CP16SH10IP06\*

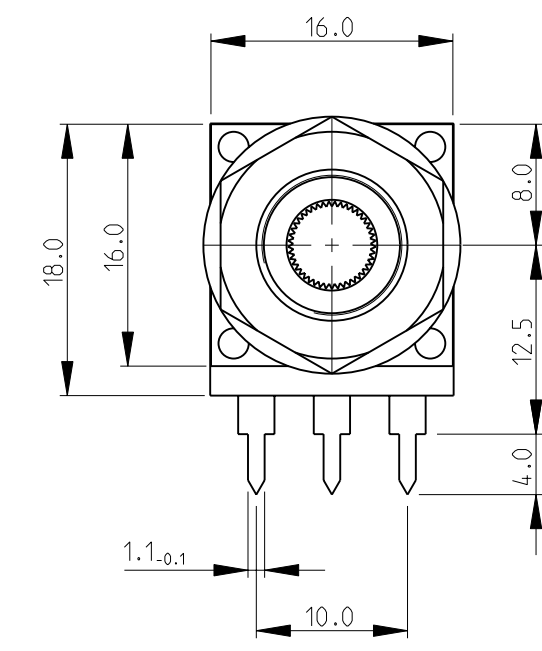
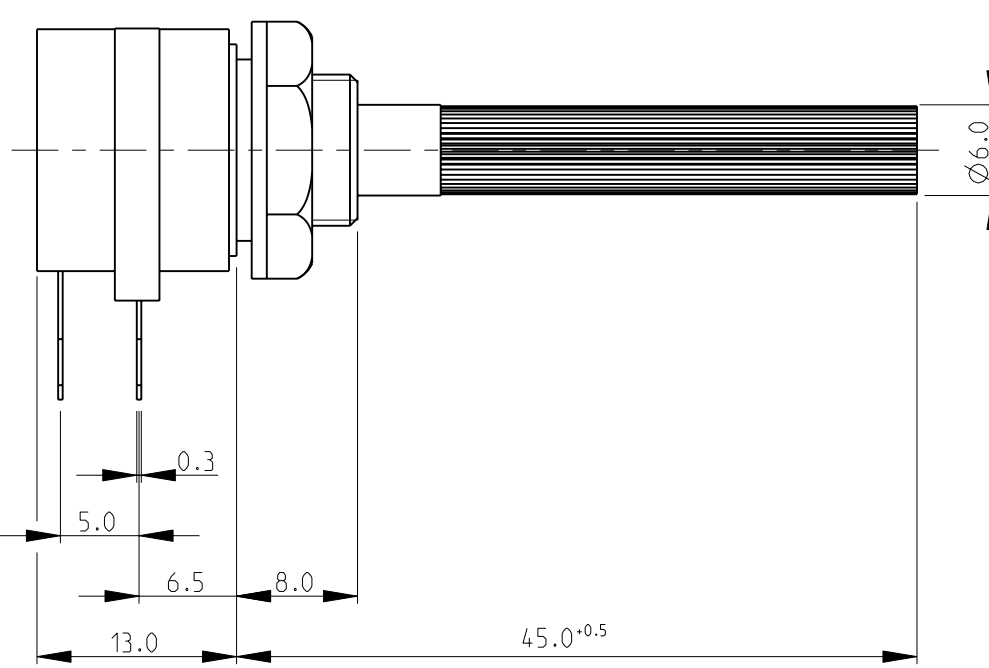


PCB LAYOUT PLAN

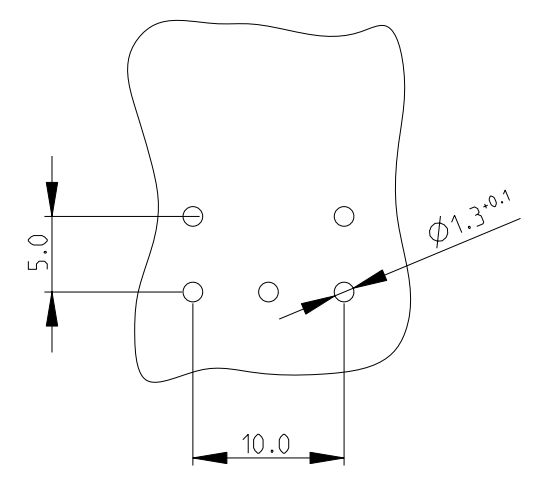


FOR FURTHER INFORMATION SEE DATA SHEET FOR SERIES CP16 - SPINDLE OPERATED POTENTIOMETERS

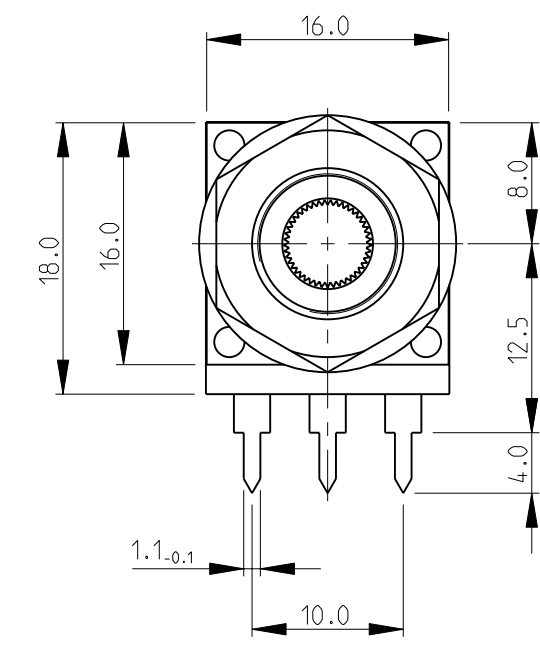
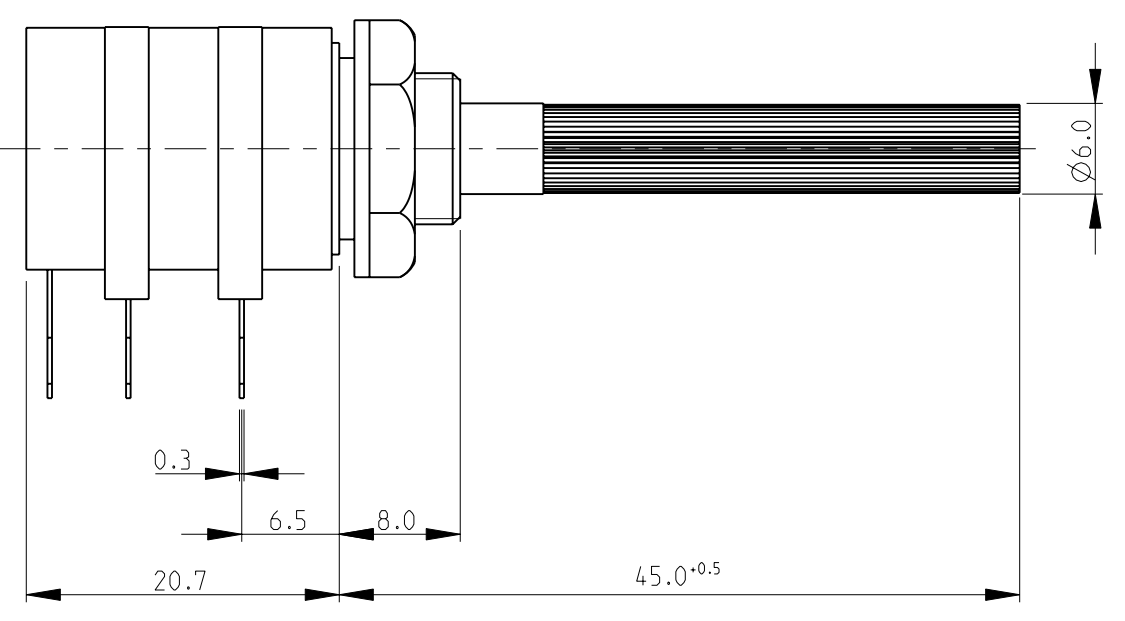
SERIES CP16SH10IP6\*....I



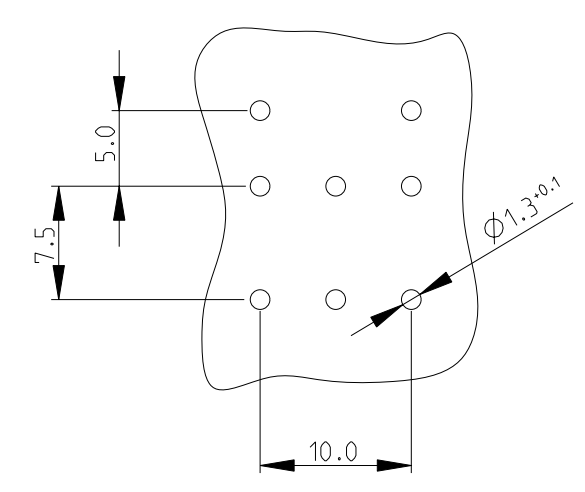
PCB LAYOUT PLAN



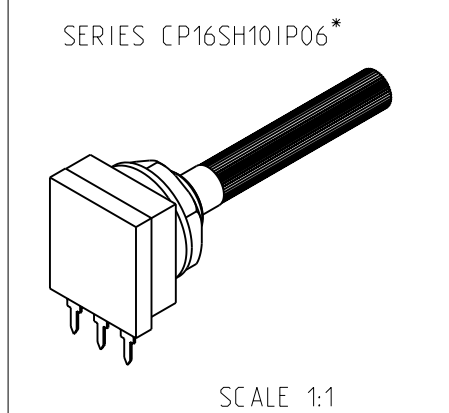
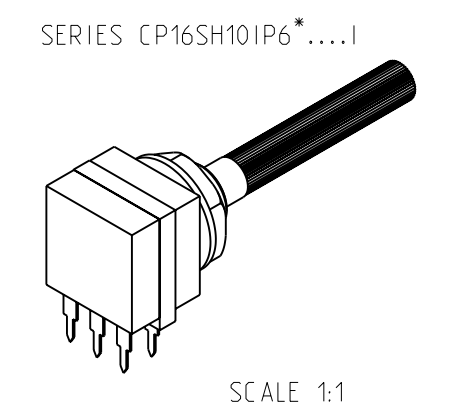
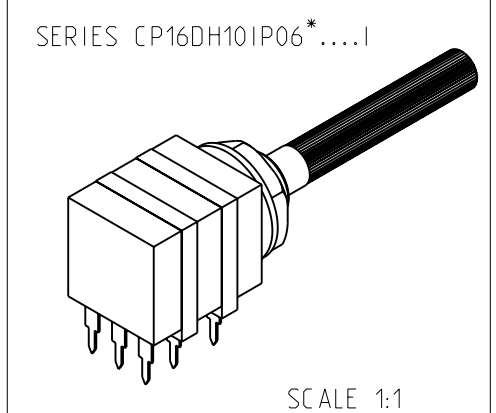
SERIES CP16DH10IP06\*....I



PCB LAYOUT PLAN



RoHS Compliant



THIS DRAWING IS A CONTROLLED DOCUMENT.		DWN SUBHASH.M 02-DEC-08	TE Connectivity	
DIMENSIONS: mm		CHK PRAKASH.S 02-DEC-08		
TOLERANCES UNLESS OTHERWISE SPECIFIED:		APVD STEPHEN.P 02-DEC-08	NAME SPINDLE OPERATED POTENTIOMETER SERIES CP16	
0 PLC ±0.2 1 PLC ±0.1 2 PLC ±0.1 3 PLC ± 4 PLC ± ANGLES ±5° MATERIAL FINISH		PRODUCT SPEC -	SIZE A2	RESTRICTED TO -
		APPLICATION SPEC -	CAGE CODE 00779	DRAWING NO. 1676003
		WEIGHT -	SCALE 2:1	SHEET 1 OF 1
		CUSTOMER DRAWING	REV. BA1	