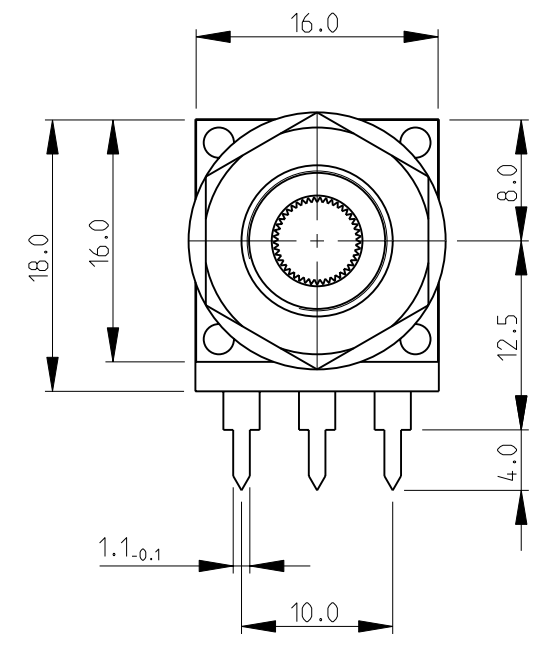
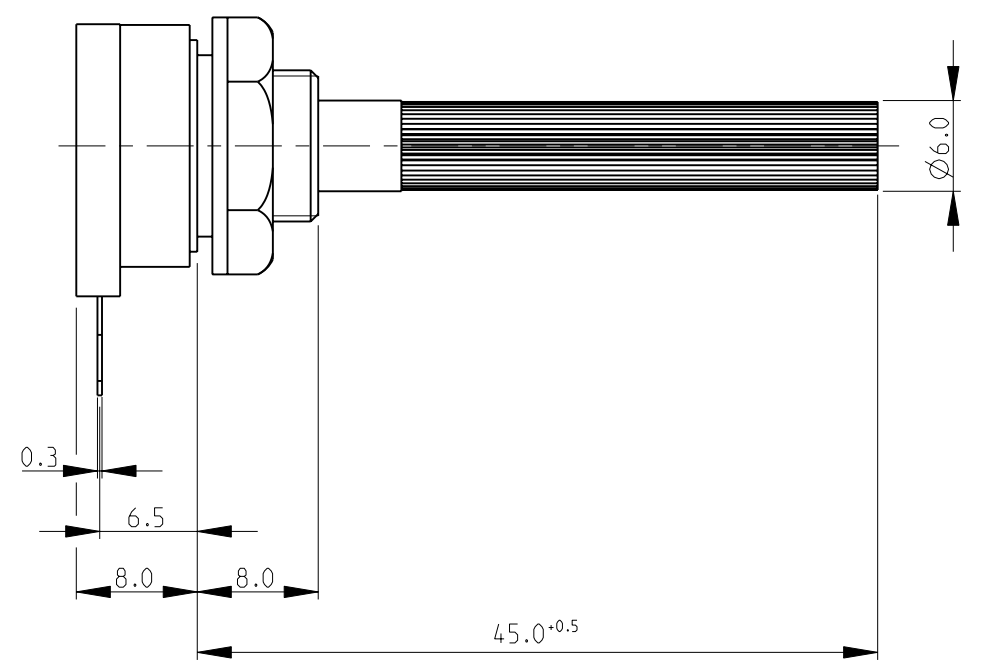


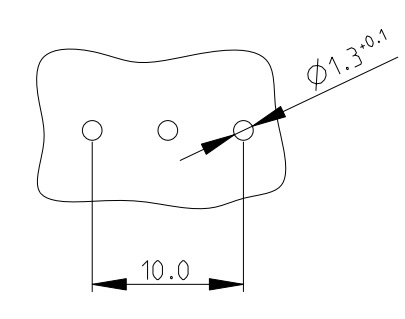
THIS DRAWING IS UNPUBLISHED. RELEASED FOR PUBLICATION 2008
 © COPYRIGHT 2008 BY - ALL RIGHTS RESERVED.

LOC		DIST		REVISIONS			
P	LTR	DESCRIPTION	DATE	DWN	APVD		
BA1		REVISED PER ECO-11-005150	28MAR2011	RK	HMR		

SERIES CP16SH10IP06*

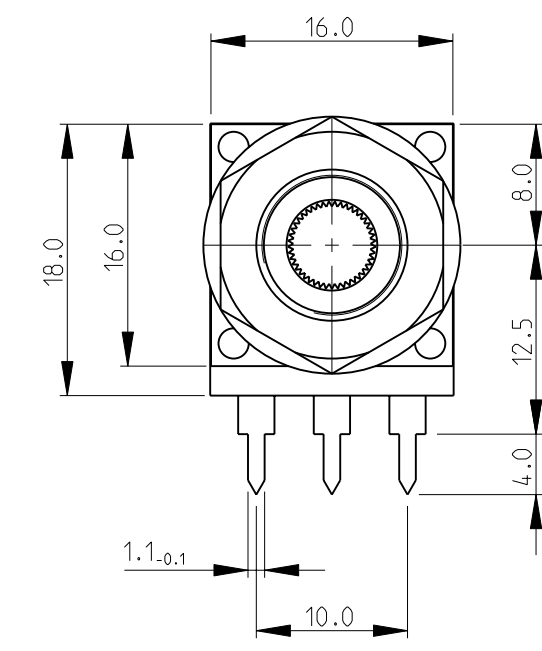
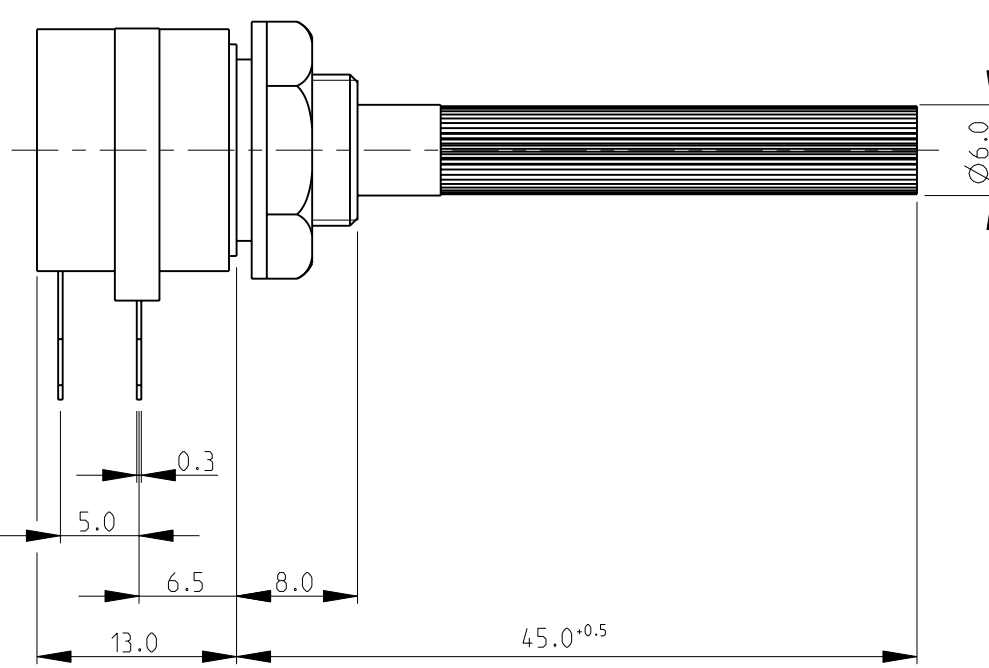


PCB LAYOUT PLAN

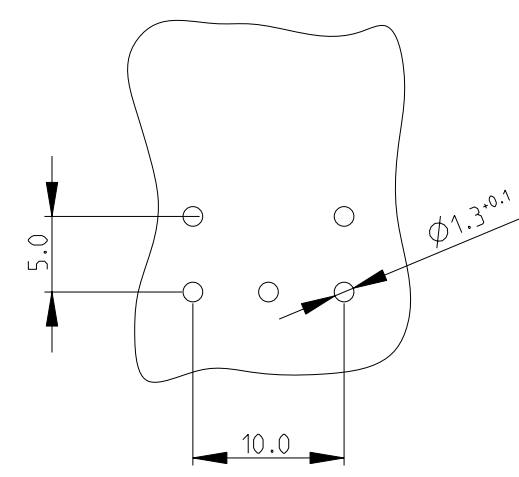


FOR FURTHER INFORMATION SEE DATA SHEET FOR SERIES CP16 - SPINDLE OPERATED POTENTIOMETERS

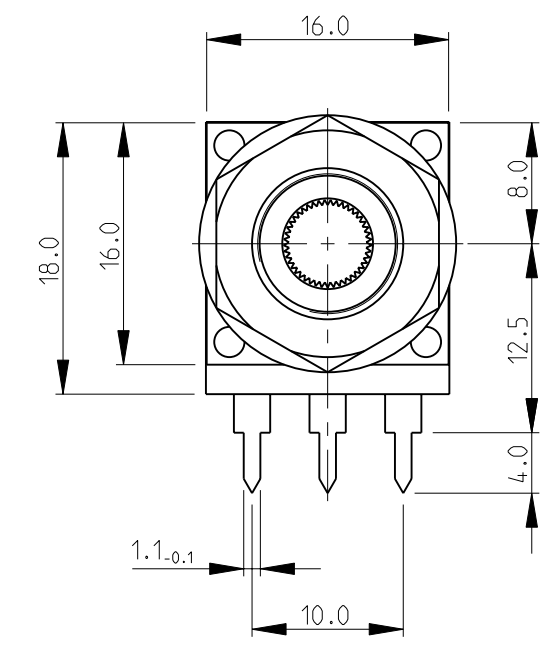
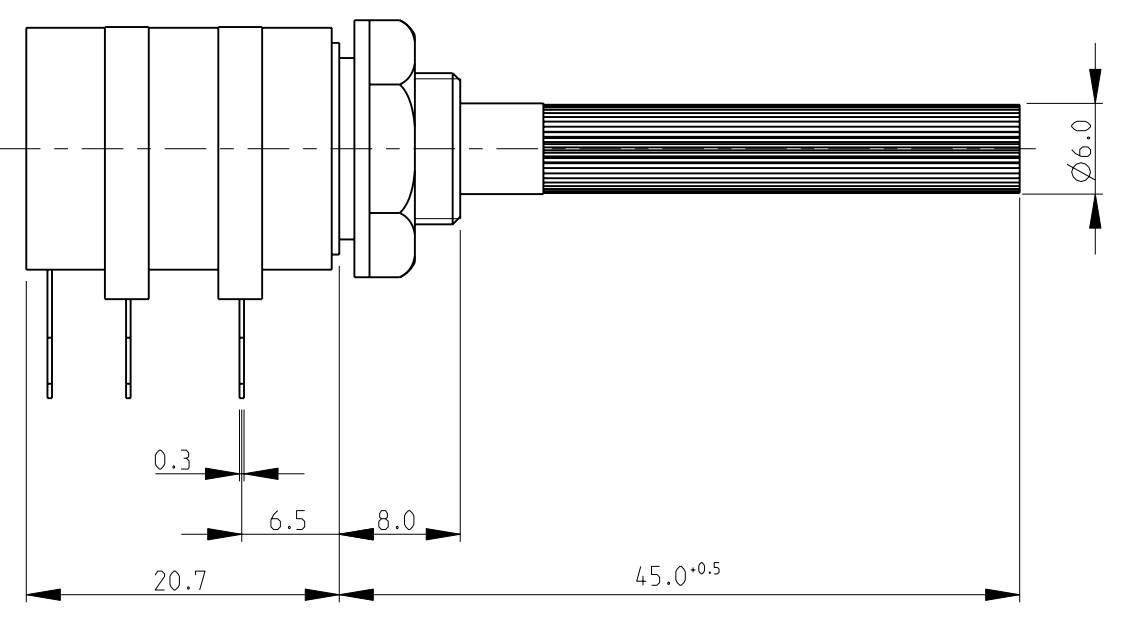
SERIES CP16SH10IP6*....I



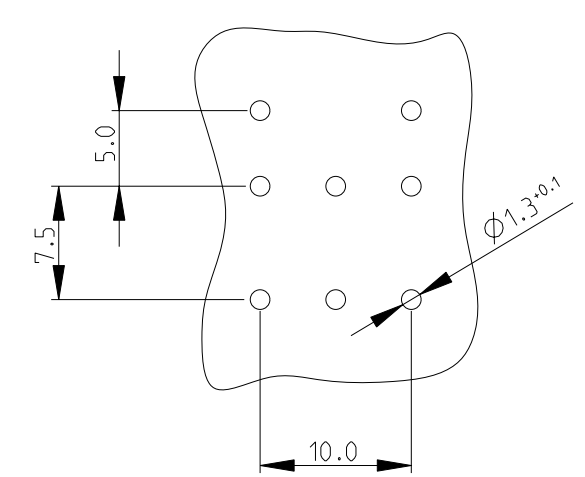
PCB LAYOUT PLAN



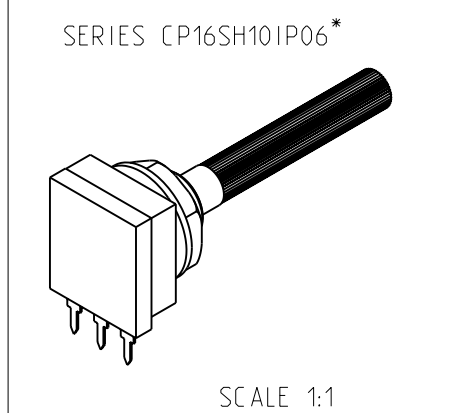
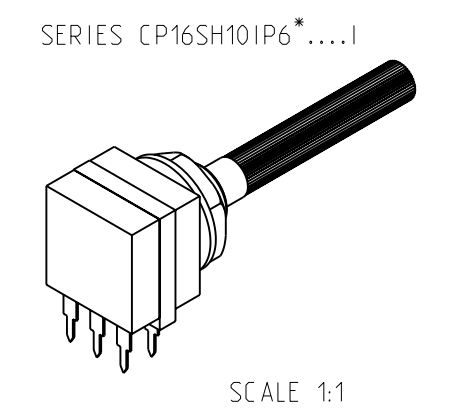
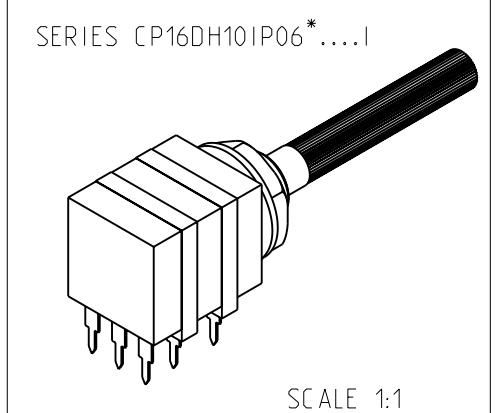
SERIES CP16DH10IP06*....I



PCB LAYOUT PLAN



RoHS Compliant



THIS DRAWING IS A CONTROLLED DOCUMENT.		DWN	SUBHASH.M	02-DEC-08	 TE Connectivity	NAME		SPINDLE OPERATED POTENTIOMETER	
DIMENSIONS:		CHK	PRAKASH.S	02-DEC-08		SIZE		CAGE CODE	
mm		APVD	STEPHEN.P	02-DEC-08		DRAWING NO		RESTRICTED TO	
		TOLERANCES UNLESS OTHERWISE SPECIFIED:		APPLICATION SPEC		SCALE		SHEET	
MATERIAL		FINISH		WEIGHT		DRAWING NO		REV	
-		-		-		A2 00779		1676003	
-		-		-		CUSTOMER DRAWING		1 OF 1	
-		-		-		SCALE 2:1		REV BA1	