

P6121

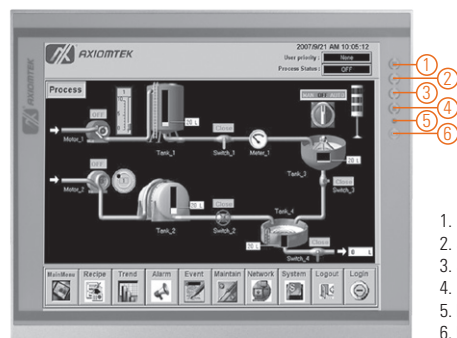
12.1" XGA TFT Industrial LCD Monitor

Features

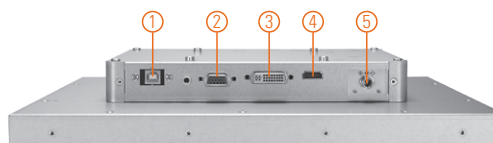
- 12.1" XGA TFT LED backlight LCD
- NEMA 4/12 (IP65)-compliant flat panel monitor
- Supports panel mount, wall mount and VESA arm
- Resistive touchscreen
- Full range screw-type (locked) AC-in or 24V DC-in (option)
- HDMI, DIV-D and VGA with multi-signal inputs



▲ Ultra-slim mechanism design



1. Menu
2. SEL+
3. SEL-
4. Exit
5. Power LED
6. Power switch



1. T/S port
2. VGA
3. DVI-D
4. HDMI
5. Power

Introduction

The P6121 is an ultra slim industrial LCD monitor, which adopts 12.1-inch 500 nits XGA LED backlight LCD display and supports multi-signal interfaces including DVI, VGA and HDMI. Featuring NEMA 4/12 & IP65-rated compliant front bezel, screw-type adaptor plug design, and 24V DC-in means it is fit for all kinds of industrial environments. Moreover, the P6121 supports panel mount, wall mount or VESA FPMPMI (Video Electronics Standards Association Flat Panel Monitor Physical Mounting Interface) mounting. With the compact mechanism design, users can enjoy free from space constraint. It is especially suitable for POI/POS, excellent HMI and all kinds of heavy-duty industrial fields.

Specifications

Front Bezel	NEMA 4/12 (IP65)-compliant, metal front bezel	
Mounting	Panel mount, wall mount or VESA arm FPMPMI mounting (video electronics standards association flat panel monitor physical mounting interface)	
LCD Panel	Display	12.1" XGA TFT LCD
	Max. Resolution	1024 x 768
	Max. Colors	16.2 M
	Active Area (mm)	245.76 x 184.32
	Pixel Pitch (mm)	0.24 x 0.24
	Response Time	16ms
	Backlight	LED backlight
	Backlight MTBF	30,000 hrs
	Viewing Angle (H/V)	160°/140°
	Contrast Ratio	700 (TYP.)
Brightness (cd/m ²)	500 nits	
Display Control	OSD (on screen display)	
Display Mode	VGA 640 x 350 (70Hz), VGA 640 x 480 (60/72/75Hz), VGA 720 x 400 (70Hz), SVGA 800 x 600 (60/72/75Hz), XGA 1024 x 768 (60/72/75Hz)	

Specifications

Input Signal	DVI-D VGA HDMI Touchscreen: Serial RS-232 or USB interface	
I/O Connectors	1 x RS-232 or USB for touchscreen version 1 x DVI-D 1 x VGA 1 x HDMI 1 x Screw-type DC power input	
Power Adapter	Screw-type external AC / DC power adapter	
Power Consumption	15 W	
Touchscreen	Thickness	Resistive: 3.2 mm
	Light Transmission	Resistive: 80%
	Power Consumption	Resistive: +5V @ 100mA
	Touch Life	Resistive: 35 million touches Controller interface: RS-232 D-type 9-pin male connector or USB
Dimensions	311.81 mm (12.28") (W) x 54.95 mm (2.16") (H) x 250.31 mm (9.85") (D)	
Packing Dimensions	490 mm (19.29") (W) x 166 mm (6.53") (19.29") (H) x 502 mm (19.76") (D)	
Weight (net/gross)	2.35 kg (5.18 lbs)/2.8 kg (6.17 lbs)	
Environment	Operating temperature: 0°C ~ +55°C (+32°F ~ +131°F) Relative humidity: 20% ~ 90% @ +40°C, non-condensing	
Packing List	1 x VGA cable 1 x RS-232 or USB cable for touchscreen (for touch version) 1 x Audio cable 1 x EU/US power cord (for AC version)	
Certificate	CE	

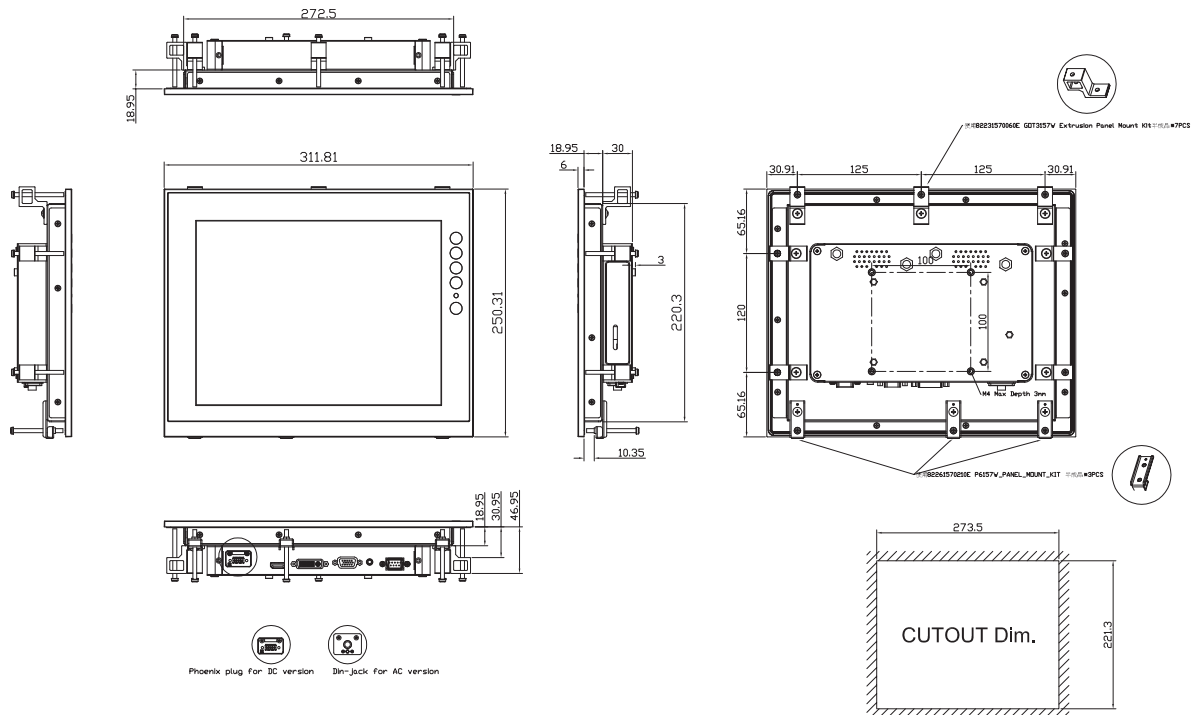
Ordering Information

AC Power	Resistive (RS-232)	P6121PR-AC-RS-US-EU
	Resistive (USB)	P6121PR-AC-U-US-EU
	Glass	P6121PG-AC-US-EU
24VDC Power (default) 12VDC Power (by jumper setting)	Resistive (RS-232)	P6121PR-24VDC-RS
	Resistive (USB)	P6121PR-24VDC-U
	Glass	P6121PG-24VDC

Optional Accessories

5946L203800E	HDMI cable
59461713400E	DVI cable
82261210000E	Panel mount kit
82231770050E	Wall mount kit
E226171106	Desktop stand

Dimensions



Industrial
Touch
Monitors

0
1
2
3
4
5
6
7
8
9

