



Features

- 15.6" ~ 24" panel kit configurable with FLEX-BX200 box PC
- Aluminum die-casting front bezel
- IP65-rated true-flat screen
- Stylish cyan-blue color
- PCAP touch screen supports 10-point multi-touch
- Extended operating temperature support: -10°C ~ 60°C
- 9-36V DC supported

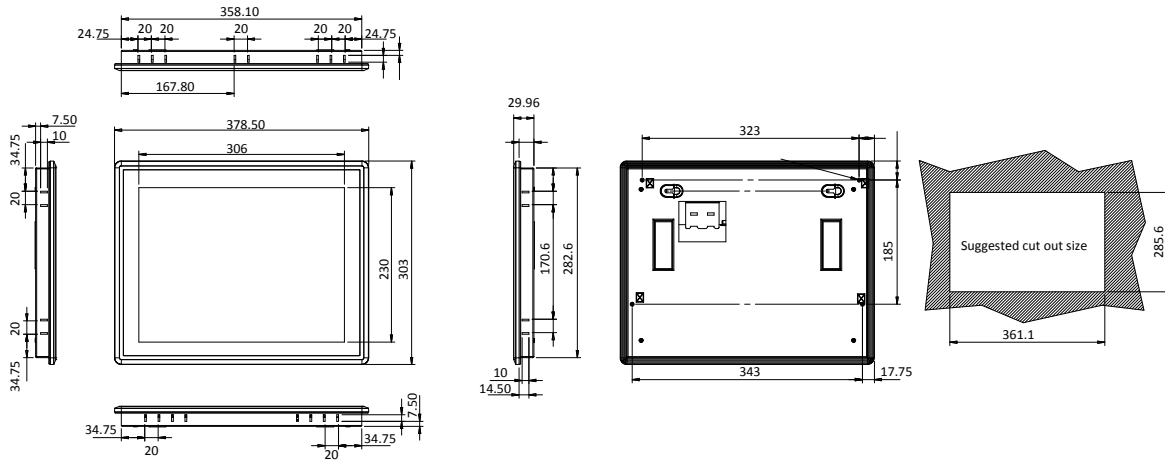
Specifications

Model		FLEX-PLKIT-F15	FLEX-PLKIT-FW15	FLEX-PLKIT-F17	FLEX-PLKIT-FW19	FLEX-PLKIT-FW22	FLEX-PLKIT-FW24
TFT LCD	LCD Size	15"	15.6"	17"	18.5"	21.5"	23.8"
	Max. Resolution	1024x768	1336x768	1280x1024	1336x768	1920x1080	1920x1080
	Brightness (cd/m ²)	450	400	350	400	250	250
	Contrast Ratio	800:1	500:1	1000:1	1000:1	1000:1	3000:1
	LCD Color	16.2M	16.2M	16.7M	16.7M	16.7M	16.7M
	Pixel Pitch (mm)	0.29 x 0.29	0.252 x 0.252	0.26 x 0.26	0.3 x 0.3	0.25 x 0.25	0.274 x 0.274
	Viewing Angle (H/V)	160°/150°	170°/160°	170°/160°	170°/160°	170°/160°	178°/178°
	Backlight MTBF (Hrs)	70,000	50,000	50,000	50,000	30,000	30,000
Touch Screen	Type	projected capacitive type with 10-point multitouch and anti-glare coating					
	Touch Controller	EETI EXC3000					
Video Interface		LVDS	LVDS	LVDS	LVDS	LVDS	LVDS
Construction	Dimensions (mm) (W x H x D)	378.5 x 303 x 29.96	400.1 x 253.3 x 33	408.4 x 341.4 x 31	468.8 x 288.2 x 32.8	550.4 x 358.4 x 29.8	600 x 382 x 31
	Cutout Dimensions (mm)	285.6 x 361.1	379.1 x 232.3	324 x 391	447.8 x 257.2	340 x 532	358.6 x 576.6
	Color	Cyan-blue (PSM 296C)					
	Front Frame	Aluminum	Aluminum	Aluminum	Aluminum	Aluminum	Aluminum
	Rear Cover	Sheet Metal	Sheet Metal	Sheet Metal	Sheet Metal	Sheet Metal	Sheet Metal
	Mounting	Panel mount, Rack mount				Panel mount	
Environmental	Operating Temp.	-10°C ~ 60°C (with air flow)	-10°C ~ 50°C (with air flow)	-10°C ~ 60°C (with air flow)		-10°C ~ 50°C (with air flow)	
	Storage Temp.	-20°C ~ 70°C				-20°C ~ 60°C	
	Humidity	10% ~ 95% (non-condensing)					
Other		Support FLEX-BX200-Q370 only					

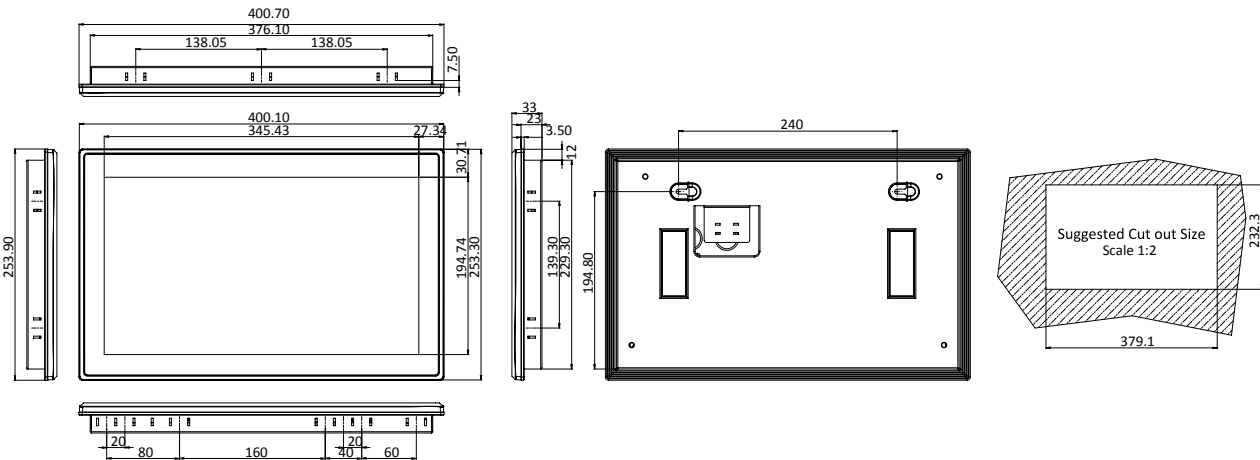
Ordering Information

Part No.	Description
FLEX-PLKIT-F15/PC-R10	15" 1024 x 768 450cd/m ² FLEX modular PCAP touch window/LCD kit,R10
FLEX-PLKIT-F17/PC-R10	17" 1280 x 1024 350cd/m ² FLEX modular PCAP touch window/LCD kit,R10
FLEX-PLKIT-FW15/PC-R10	15.6" 1366 x 768 400cd/m ² FLEX modular PCAP touch window/LCD kit,R10
FLEX-PLKIT-FW19/PC-R10	18.5" 1366 x 768 400cd/m ² FLEX modular PCAP touch window/LCD kit,R10
FLEX-PLKIT-FW22/PC-R10	21.5" 1920 x 1080 250cd/m ² FLEX modular PCAP touch window/LCD kit,R10
FLEX-PLKIT-FW24/PC-R10	23.8" 1920 x 1080 250cd/m ² FLEX modular PCAP touch window/LCD kit,R10

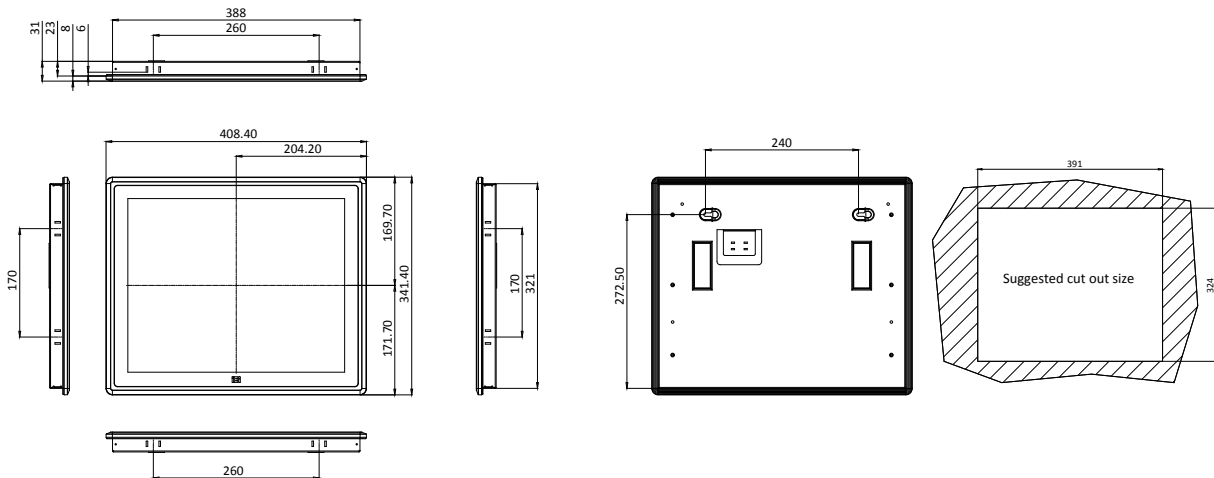
FLEX-PL15 Dimensions (Unit: mm)



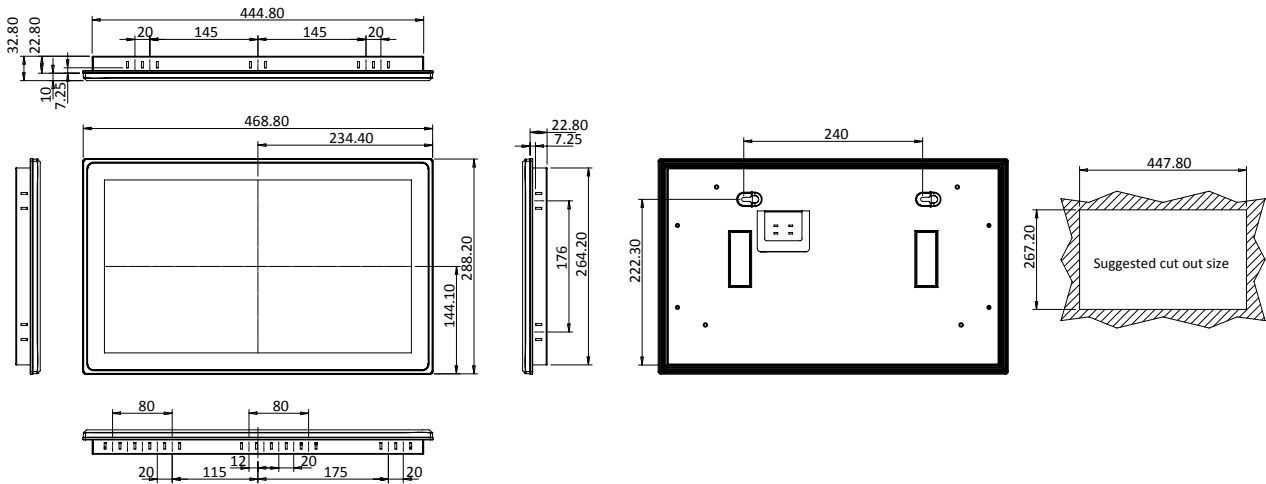
FLEX-PLW15 Dimensions (Unit: mm)



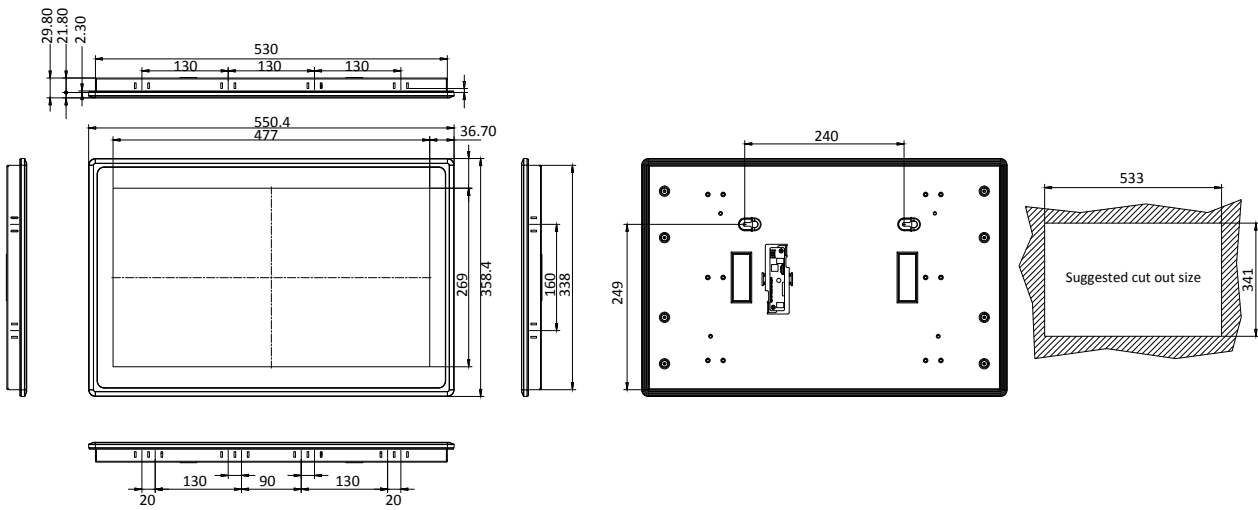
FLEX-PL17 Dimensions (Unit: mm)



FLEX-PLW19 Dimensions (Unit: mm)



FLEX-PLW22 Dimensions (Unit: mm)



FLEX-PLW2 Dimensions (Unit: mm)

