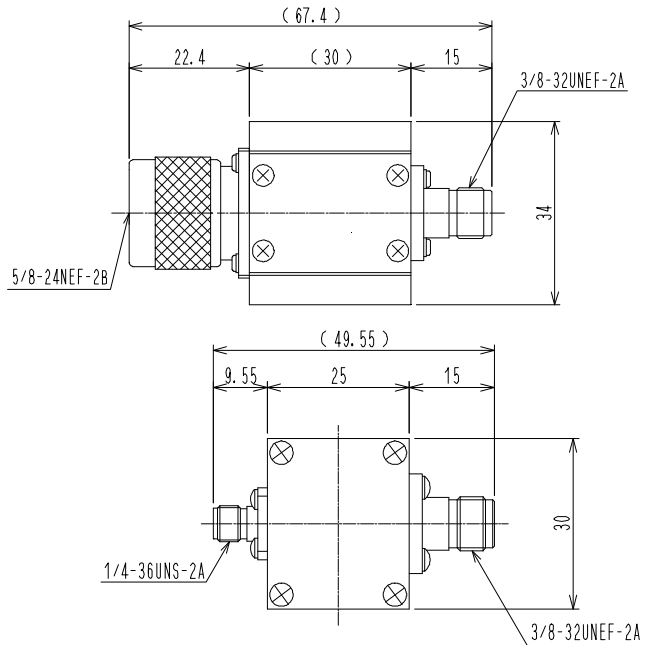
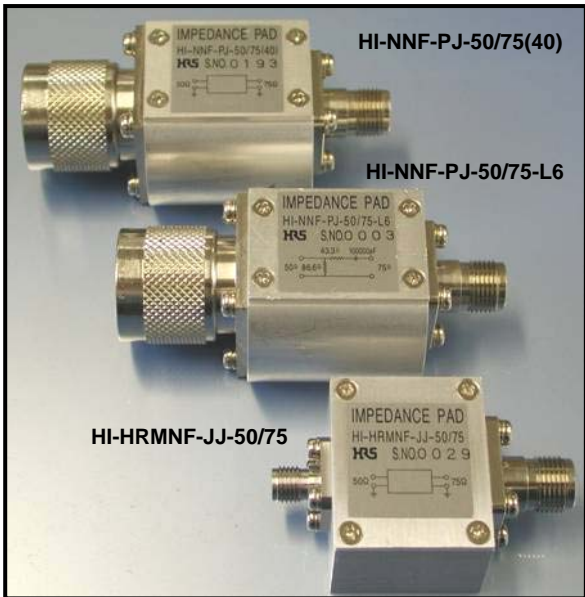




50 Ω ⇔ 75 Ω Impedance Pad

Specifications herein are subject to change without notice.



◆ Features

1. These 50 Ω ⇔ 75 Ω Impedance Pads are designed for wide frequency range.
2. This product has two types, One is resistor type which is 5.7dB conversion loss, the other type is micro stripline which is low insertion loss.
3. HI-NNF-PJ-50/75-L6 adds the DC block function.

◆ Specifications

Part Number	Frequency (GHz)	V.S.W.R. (Max)	Insertion Loss (dB Max)	Connectors		Remarks
				50 Ω	75 Ω	
HI-NNF-PJ-50/75(40)	0.9-1.5	1.25(0.9-1.5GHz) 1.20(1.0-1.35GHz)	0.4	N-P	NF-J	
HI-NNF-PJ-50/75-L6	0.01-3.0	1.15(0.01-2.5GHz) 1.25(2.5-3.0GHz)	6.0	N-P	NF-J	With DC Block
HI-HRMNF-JJ-50/75	0.95-2.6	1.4	0.4	SMA-J	NF-J	

◆ Applications

Broadcasting equipment, For Measurement