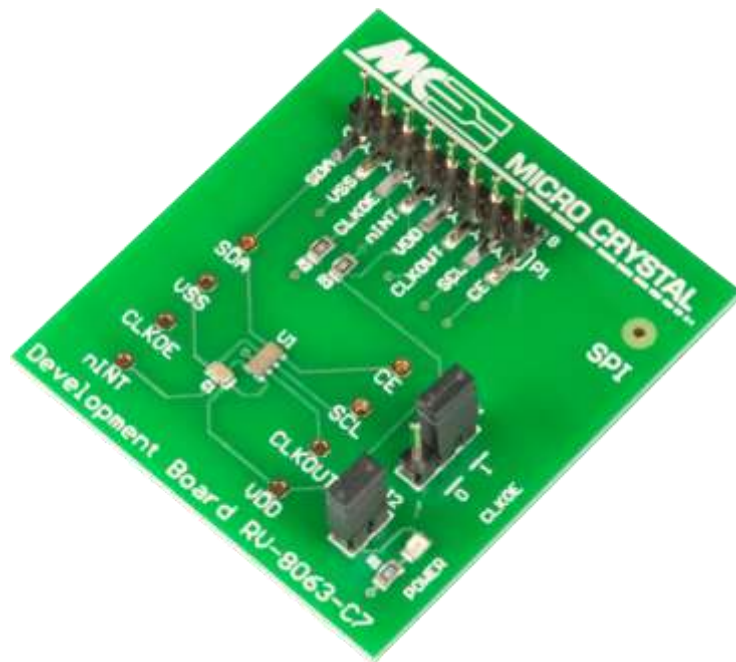


# DEVELOPMENT BOARD



# RV-8063-C7

## Low-Power Real-Time Clock / Calendar Module

DATE:	April 2016	Page 1/3	Revision No.: 2
-------	------------	----------	-----------------

Headquarters: Micro Crystal AG  
 Muehlestrasse 14  
 CH-2540 Grenchen  
 Switzerland

Tel. +41 32 655 82 82  
 Fax +41 32 655 82 83  
 Internet [www.microcrystal.com](http://www.microcrystal.com)  
 Email [sales@microcrystal.com](mailto:sales@microcrystal.com)

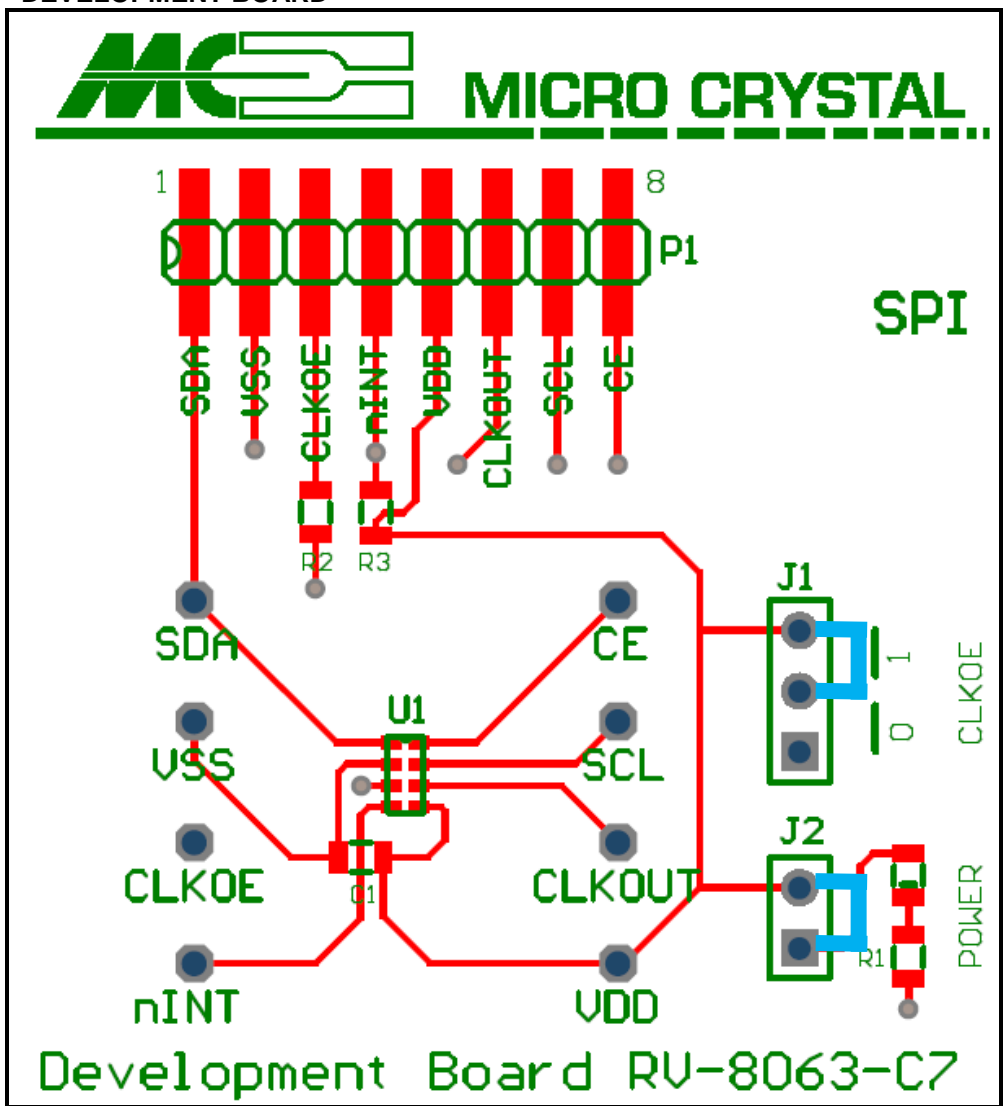
### RV-8063-C7

The RV-8063-C7 is soldered onto the Development Board.  
 Every pin is either accessible at test pins 1 – 8 or at the test vias situated around the device.

The following passive components are already soldered on the Board:

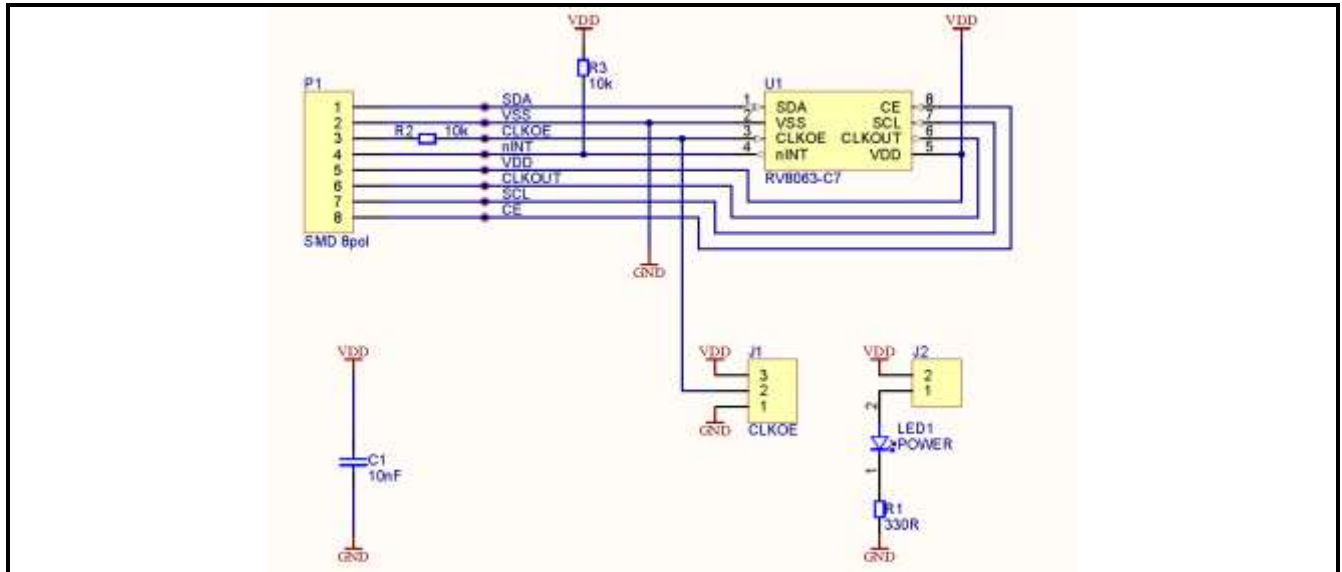
C1	10 nF	Decoupling capacitor between $V_{SS}$ and $V_{DD}$
R1	330 $\Omega$	Current limiting resistor for LED
LED	green	Supply on, current consumption of the LED has to be considered
R2	10 k $\Omega$	Protection resistor to prevent short-circuit between external CLKOE signal and Jumper
R3	10 k $\Omega$	Pull-up resistor INT to $V_{DD}$

#### DEVELOPMENT BOARD



- JUMPER 1
- CLKOE = HIGH
- CLKOE = LOW
- JUMPER 2
- Power to LED

**SCHEMATICS**



**PINOUT RV-8063-C7**

# 1	SDIO	# 8	CE
# 2	V <sub>SS</sub>	# 7	SCL
# 3	CLKOE	# 6	CLKOUT
# 4	$\overline{\text{INT}}$	# 5	V <sub>DD</sub>

**PIN DESCRIPTION**

Symbol	Pin #	Description
SDIO	1	Serial Data Input: When CE is LOW, input may float Serial Data Output: Push-pull output; drives from V <sub>SS</sub> to V <sub>DD</sub> ; is high-impedance when not driving.
V <sub>SS</sub>	2	Ground
CLKOE	3	Input to enable the CLKOUT pin. If CLKOE is active HIGH, the CLKOUT pin is in output mode When CLKOE is tied to Ground, the CLKOUT pin is LOW.
$\overline{\text{INT}}$	4	Interrupt Output; open-drain; active LOW; requires pull-up resistor; Used to output alarm, minute, half minute, countdown timer and compensation Interrupt signals
V <sub>DD</sub>	5	Power Supply Voltage
CLKOUT	6	Clock Output; push-pull; controlled by CLKOE. If CLKOE is active HIGH, the CLKOUT pin drives the square wave of 32.768 kHz, 16.384 kHz, 8.192 kHz, 4.096 kHz, 2.048 kHz, 1.024 kHz or 1 Hz (Default value is 32.768 kHz). When CLKOE is tied to Ground, the CLKOUT pin is LOW
SCL	7	Serial Clock Input. When CE is LOW, this input may float
CE	8	Chip Enable Input; when LOW, the interface is reset; may not be wired permanently HIGH

Datasheet and Application-Manual are available for download under: [www.microcrystal.com](http://www.microcrystal.com)