

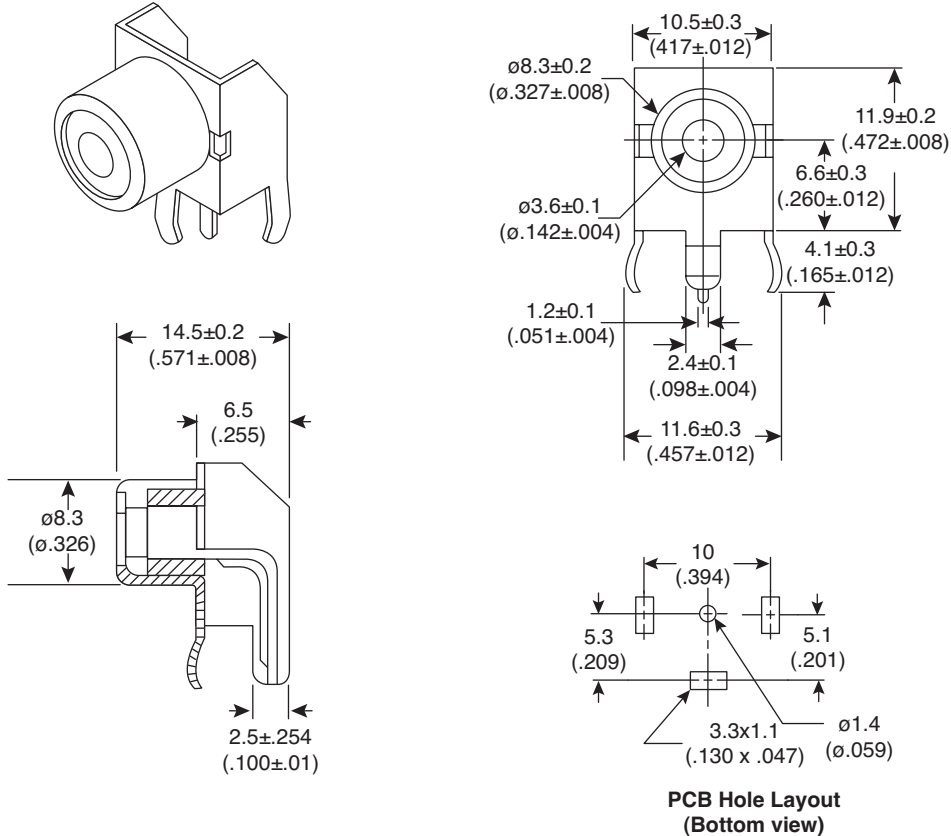
# Right Angle RCA PCB Mount Phono Jacks

161-0340-E, 161-0350-E, 161-0360-E, 161-0370-E,  
161-0380-E, 161-0390-E

**KOBI**CONN

Right Angle RCA  
PCB Mount Phono Jacks

161-0340-E, 161-0350-E, 161-0360-E, 161-0370-E,  
161-0380-E, 161-0390-E



Dimensions: mm (in.)

## SPECIFICATIONS

<b>Type:</b>	Right Angle, PCB Mount, Phono
<b>Insulation Resistance:</b>	10M $\Omega$ min. @ 500V RMS
<b>Withstand Voltage:</b>	1080VAC for 1 Minute
<b>Humidity Test:</b>	90% RH @ 40°C for 48 Hours
<b>Temperature Rating:</b>	70°C
<b>Body:</b>	Tin Plated Steel
<b>Contact:</b>	Tin Plated Brass
<b>Insulator:</b>	PBT
<b>Withstand Heat:</b>	250°C, 3 sec.
RoHS Compliant	

MOUSER STOCK NO.	Color
161-0340-E	Blue
161-0350-E	Green
161-0360-E	White
161-0370-E	Red
161-0380-E	Yellow
161-0390-E	Black

Date Last Revised: 07-05-07

Available from Mouser Electronics  
1-800-346-6873 / [www.mouser.com](http://www.mouser.com)

KC-301160

Specifications are subject to change without notice. No liability or warranty implied by this information. Environmental compliance based on producer documentation.