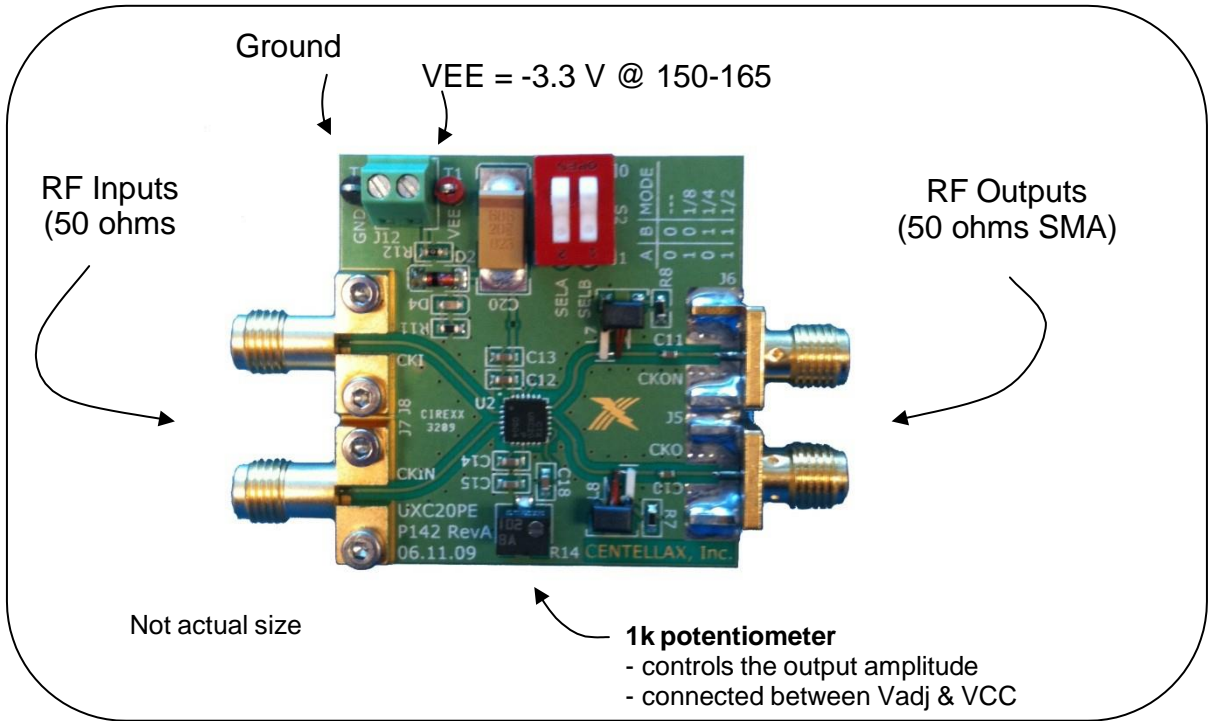


## UXC20P Eval Board

UXC20PE is an evaluation board for the UXC20P DC-20 GHz Programmable Binary Prescaler.

**Note: Supply voltage must be negative.**



### Application Notes

- 1 If RF inputs/outputs are used in single-ended configuration, terminate unused inputs/outputs with 50 ohm loads.
- 2 Use on-board switches to control the divide ratios

**Table 1 - Divider Mode Select Logic**

Switch Settings		Division Ratio Output
A	B	
0	0	Invalid
1	0	1/8
0	1	1/4
1	1	1/2

- 3 Refer to **UXC20P datasheet** for performance specifications.
- 4 Email [mmicsales@microsemi.com](mailto:mmicsales@microsemi.com) for assistance.



**Microsemi Corporate Headquarters**  
One Enterprise, Aliso Viejo CA 92656 USA  
Within the USA: +1 (800) 713-4113  
Outside the USA: +1 (949) 380-6100  
Sales: +1 (949) 380-6136  
Fax: +1 (949) 215-4996  
E-mail: [sales.support@microsemi.com](mailto:sales.support@microsemi.com)

Microsemi Corporation (Nasdaq: MSCC) offers a comprehensive portfolio of semiconductor and system solutions for communications, defense and security, aerospace, and industrial markets. Products include high-performance and radiation-hardened analog mixed-signal integrated circuits, FPGAs, SoCs, and ASICs; power management products; timing and synchronization devices and precise time solutions, setting the world's standard for time; voice processing devices; RF solutions; discrete components; security technologies and scalable anti-tamper products; Power-over-Ethernet ICs and midspans; as well as custom design capabilities and services. Microsemi is headquartered in Aliso Viejo, Calif. and has approximately 3,400 employees globally. Learn more at [www.microsemi.com](http://www.microsemi.com).

---

© 2014 Microsemi Corporation. All rights reserved. Microsemi and the Microsemi logo are trademarks of Microsemi Corporation. All other trademarks and service marks are the property of their respective owners.