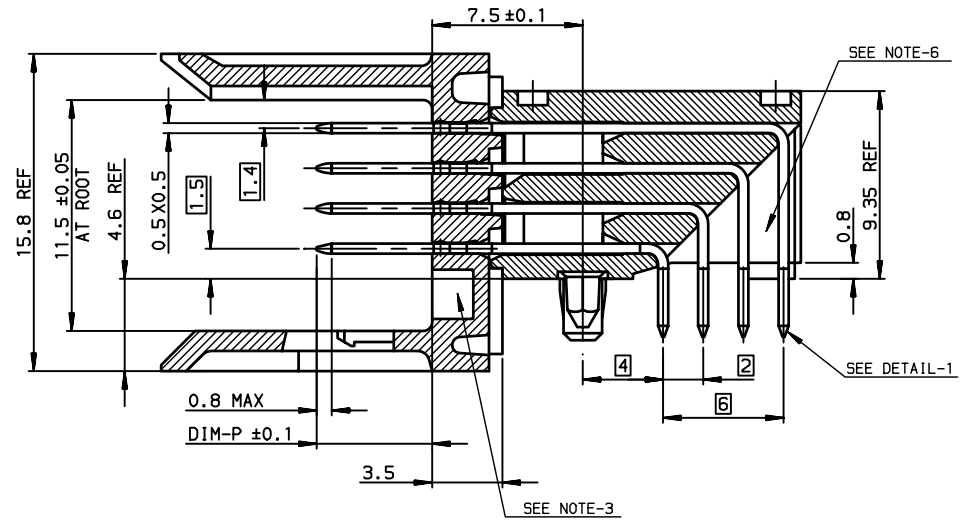


NOTE-1: NORMINATIVE REF = IEC-61076-4-104  
 NOTE-2: ONE CENTER PEG FOR HOLD DOWN FORCE  
 NOTE-3: CODING RECESS FOR 8MM EXTENDED KEYS  
 NOTE-4: PRODUCT MARKING = FCI + BATCH CODE + PRODUCT NUMBER  
 FOR 4 MODULE SIZE, ADD CSA LOGO MARKING  
 NOTE-6: CENTRAL WALL WITH END REAR SUPPORT  
 NOTE-7: PACKAGING IN TRAY + COVER  
 IF SUFFIX "P" IS ADDED IN P/N PACKAGING IS IN TRAYS  
 BUT CONNECTOR MARKING IS WITHOUT "P"  
 EXAMPLE: HM1XXXXXXXXXHP, MARKED HM1XXXXXXXXXH6

SECTION-A SCALE: 4/1



GENERAL CHARACTERISTICS AND ROHS INFORMATIONS:  
 SEE PRODUCT SPECIFICATION GS-12-445

OTHERS INFORMATIONS, SEE DRW C-8626-0152-2

European Views

rev	ecn no	dr	date
G	-	CHA	2003/07/09
H	LS05-0056	MLE	2005/06/03
J	LS06-0097	LGO	2006/07/12
K	LS07-0184	MLE	2007/07/24
L	LS08-0125	MLE	2008/05/13
-	-	-	-
-	-	-	-

www.fciconnect.com		surface ISO 1302	tolerance std ISO 406 ISO 1101	projection mm
TOLERANCES UNLESS OTHERWISE SPECIFIED				size A3
Dr	CHAMPION	1994/04/05	0.x	± 0.1
Eng	LENOIR	1994/04/05	0.xx	± 0.1
Chr	LEGARE	1994/04/05	0.xxx	± 0.1
Appr	LEGARE	1994/04/05	0.xxx' ± 2'	ECN LS08-0125
Product family			METRAL	Spec ref -
title METRAL RA HDR WB CONVERGE				Rev. L
catalog no				4X24 CTS - PF - PUSH PEG
dwg no				C-8626-0152-1
CUSTOMER				sheet 1 of 2

Copyright FCI. FCI

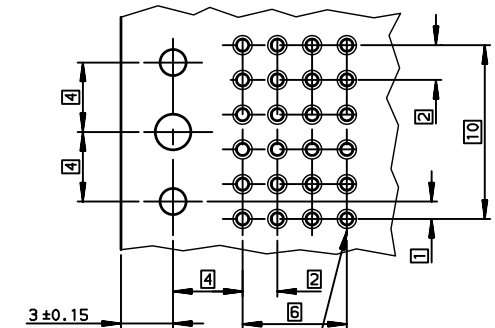
TIN LEAD PART NUMBER

LEAD-FREE PART NUMBER

PART NUMBER / CONTACT LOADING							
DIM-P ±0.10				P/N AND PERFORMANCE LEVEL		SP N°	
ROW-A	ROW-B	ROW-C	ROW-D	TRAY PACKAGING	TUBE PACKAGING		
5.00	5.00	5.00	5.00	HM1L43ADP000H6P	HM1L43ADP000H6		
5.75	5.75	5.75	5.75	HM1L43LDP000H6P			
6.50	6.50	6.50	6.50	HM1L43DDP000H6P			
6.50	5.00	5.00	5.00	HM1L43BDP000H6P			
6.50	5.75	5.75	6.50	HM1L43CDP000H6P			
5.00	5.00	6.50	5.00	HM1L43ZDP110H6P		110	
5.00	5.75	6.50	5.00	HM1L43ZDP430H6P		430	
5.00	5.75	5.00	5.00	HM1L43ZDP448H6P		448	
5.75	5.00	5.00	5.00	HM1L43ZDP009H6P		009	
5.75	6.50	5.75	5.00	HM1L43ZDP424H6P		424	
6.50	5.75	6.50	5.75	HM1L43ZDP037H6P		037	
6.50	5.75	5.00	5.75	HM1L43ZDP102H6P		102	
6.50	6.50	6.50	5.75	HM1L43ZDP135H6P		135	
6.50	5.75	5.75	5.75	HM1L43ZDP369H6P		369	
8.00	6.50	6.50	6.50	HM1L43ZDPA07H6P		A07	

PART NUMBER / CONTACT LOADING							
DIM-P ±0.10				P/N AND PERFORMANCE LEVEL		SP N°	
ROW-A	ROW-B	ROW-C	ROW-D	TRAY PACKAGING	TUBE PACKAGING		
5.00	5.00	5.00	5.00	HM1L43ADP000H6PLF	HM1L43ADP000H6LFL		
5.75	5.75	5.75	5.75	HM1L43LDP000H6PLF			
6.50	6.50	6.50	6.50	HM1L43DDP000H6PLF			
6.50	5.00	5.00	5.00	HM1L43BDP000H6PLF			
6.50	5.75	5.75	6.50	HM1L43CDP000H6PLF			
5.00	5.00	6.50	5.00	HM1L43ZDP110H6PLF		110	
5.00	5.75	6.50	5.00	HM1L43ZDP430H6PLF		430	
5.00	5.75	5.00	5.00	HM1L43ZDP448H6PLF		448	
5.75	5.00	5.00	5.00	HM1L43ZDP009H6PLF		009	
5.75	6.50	5.75	5.00	HM1L43ZDP424H6PLF		424	
6.50	5.75	6.50	5.75	HM1L43ZDP037H6PLF		037	
6.50	5.75	5.00	5.75	HM1L43ZDP102H6PLF		102	
6.50	6.50	6.50	5.75	HM1L43ZDP135H6PLF		135	
6.50	5.75	5.75	5.75	HM1L43ZDP369H6PLF		369	
8.00	6.50	6.50	6.50	HM1L43ZDPA07H6PLF		A07	

RECOMMENDED PCB LAYOUT PER 12MM LENGTH

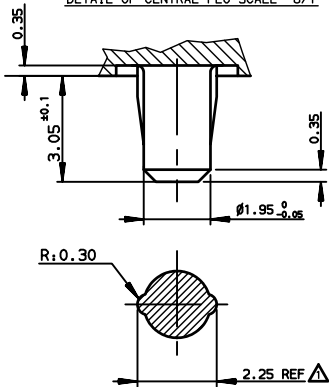


Hole according to product spec  
 6S-12-445 (for press-fit),  
 6S-12-446 (for STB)

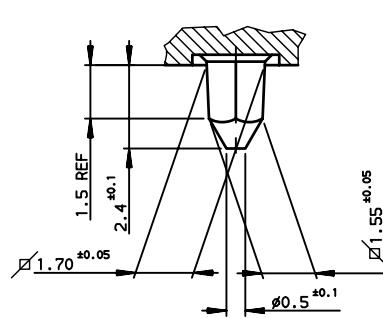
STANDARD MATING LENGTHS = 5.75 (AND 5.00-6.50)

STANDARD MATING LENGTHS = 5.75 (AND 5.00-6.50)

DETAIL OF CENTRAL PEG SCALE 8/1



DETAIL OF LOCATING PEGS (2x) SCALE 8/1



European Views

www.fciconnect.com		surface ISO 1302	tolerance std ISO 406 ISO 1101	projection mm
Dr CHAMPION 1994/04/05		TOLERANCES UNLESS OTHERWISE SPECIFIED		size A3
Eng LENOIR 1994/04/05	Chr LEGARE 1994/04/05	ANGULAR	LINEAR	Scale 4
Appr LEGARE 1994/04/05	Product family	0.X ±0.1	0.XX ±0.1	ECN LS08-0125
METRAL RA HDR WB CONVERGE		0.XXX ±0.1	Spec ref -	
4X24 CTS - PF - PUSH PEG		C-8626-0152-2		Rev. L
catalog no		CUSTOMER		sheet 2 of 2

rev	ecn no	dr	date
F	-	CHA	2003/03/17
H	LS05-0056	MLE	2005/06/06
J	LS06-0097	LGO	2006/07/12
K	LS07-0184	MLE	2007/07/24
L	LS08-0125	MLE	2008/05/13
-	-	-	-
-	-	-	-



Copyright FCI.