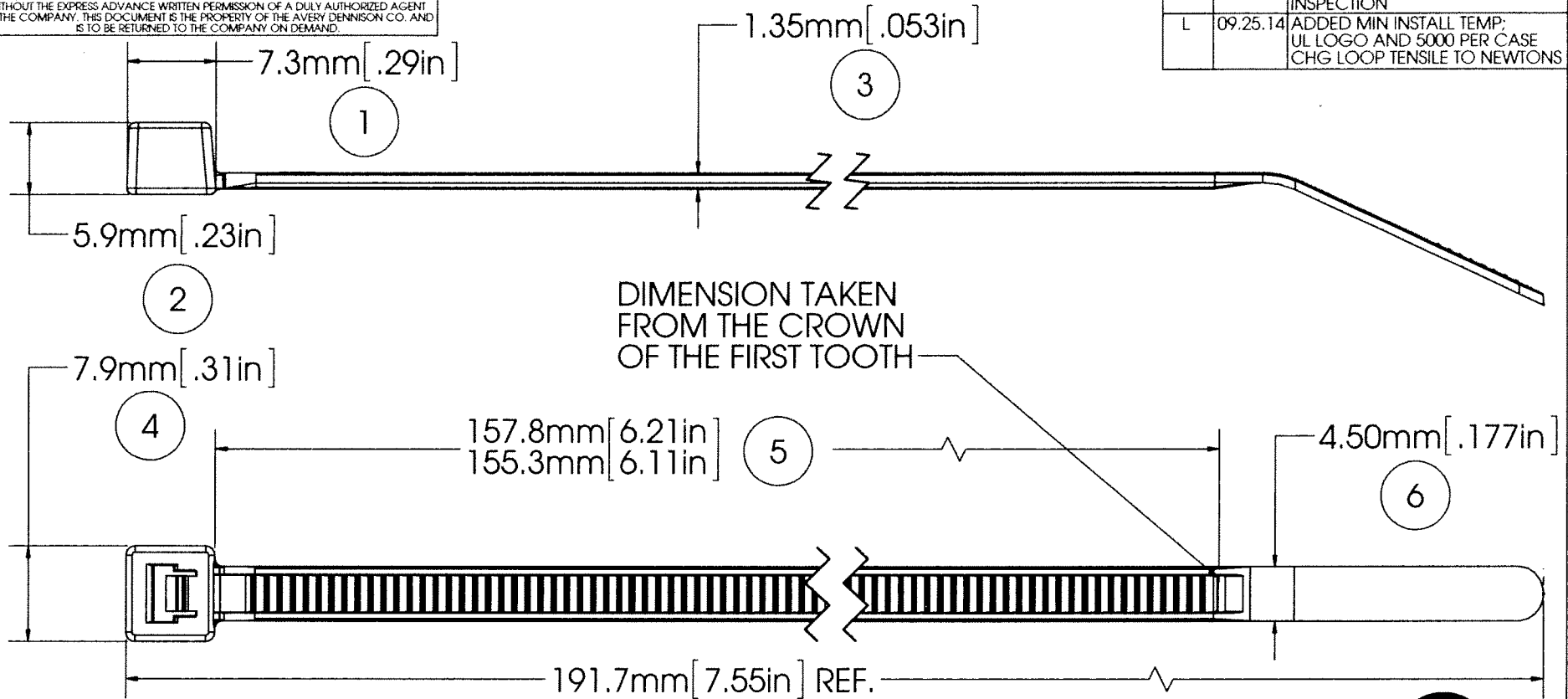


# EVERY DENNISON MARKETING SPECIFICATION

## HISTORY

THE SUBJECT MATTER DISCLOSED HEREIN EMBODIES PROPRIETARY INFORMATION WHICH IS THE CONFIDENTIAL PROPERTY OF THE EVERY DENNISON CO. NONE OF WHICH SHALL BE COPIED, REPRODUCED, DISCLOSED TO OTHERS, PUBLISHED OR USED IN WHOLE OR IN PART, FOR ANY PURPOSE OTHER THAN THAT FOR WHICH IT IS BEING MADE AVAILABLE WITHOUT THE EXPRESS ADVANCE WRITTEN PERMISSION OF A DULY AUTHORIZED AGENT OF THE COMPANY. THIS DOCUMENT IS THE PROPERTY OF THE EVERY DENNISON CO. AND IS TO BE RETURNED TO THE COMPANY ON DEMAND.

REV.	DATE	DESCRIPTION
K	01.24.14	UPDATED TO THE NEW FORMAT; UPDATED DIM 5 FOR EASE OF INSPECTION
L	09.25.14	ADDED MIN INSTALL TEMP; UL LOGO AND 5000 PER CASE CHG LOOP TENSILE TO NEWTONS



NOTE: THESE CABLE TIES ARE PLENUM RATED AND HAVE A FLAMMABILITY RATING OF V-2

LOOP TENSILE STRENGTH: 50 LBF / 220N MIN. PER AS-23190	APPROVALS:	ENG. APPR. <i>[Signature]</i> 9/25/14	<b>EVERY DENNISON</b> <small>FASTENER DIVISION FITCHBURG, MA 01420 U.S.A. TEL. 1-800-225-5913 FAX. 978-353-8157</small>	DESCRIPTION <b>7.5" CABLE TIE, STD</b>
OPERATING TEMP: -40°F (-40°C) TO 185°F (85°C)		Q.A. APPR. <i>[Signature]</i> 9/25/14		
MIN. INSTALLATION TEMP: 32°F (0°C)	SPECIFIED TOLERANCES ARE:	MATERIAL <b>NYLON 6/6</b>	COLOR <b>NATURAL</b>	STOCK NO. <b>08387-0</b>
WEIGHT: 0.041 OZ./1.20 GRAMS				
BUNDLE DIAMETER: 1.59mm - 44.5mm	.XXX ± .01 IN. .XX ± .25 MM	REV. <b>L</b>		
TOOL: 12001 - HAND INSTALLATION TOOL 12500 - PNUM. INSTALLATION TOOL	<p>5 4 3 2 1</p>			
TOOL TENSION SETTING: 6 - 8				
PACKAGING: 1000/BAG 5000/CASE; (100 PACKS AVAILABLE)				