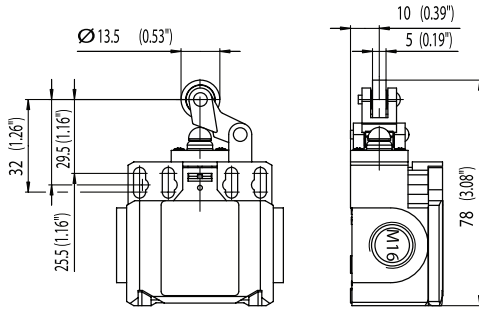
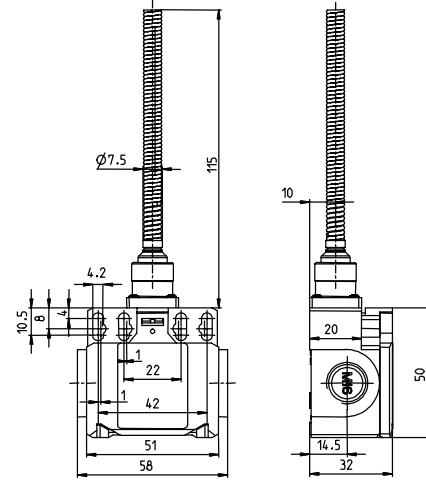


Bi2 Series

HW RO13.5



FF



Switching Operation	Slow Action	Snap Action
1 NC / 1 NO Contacts	-	608.5171.109 BI2-SU1Z HW RO13.5
2 NC Contacts	-	-
2 NO Contacts	-	-
1 NC / 1 NO Contacts Overlapping	-	-

Switching Operation	Slow Action	Snap Action
1 NC / 1 NO Contacts	618.5140.104 BI2-U1 FF 	608.5190.114 BI2-SU1 FF
2 NC Contacts	-	-
2 NO Contacts	-	-
1 NC / 1 NO Contacts Overlapping	-	-

Replacement actuator: **391.1890.681**

Technical Information	Slow Action	Snap Action
Maximum Switching Voltage	240V	240V
Max. Switching Amps (up to)*	10A	10A
B10d (up to)*	20 Million	20 Million
Mechanical Service Life (up to)*	10 x 10 ⁶	10 x 10 ⁶
Switching Frequency	≤ 100/min	≤ 100/min
Operating Temperature	-30 °C to +80 °C	-30 °C to +80 °C
Protection Rating	IP65	IP65
Utilization Category (up to)*	AC-15, Ue/Ue 240V 3A	AC-15, Ue/Ue 240V 3A
Rate Insulation Voltage	400VAC	400VAC

Technical Information	Slow Action	Snap Action
Maximum Switching Voltage	240V	240V
Max. Switching Amps (up to)*	10A	10A
B10d (up to)*	20 Million	20 Million
Mechanical Service Life (up to)*	10 x 10 ⁶	10 x 10 ⁶
Switching Frequency	≤ 100/min	≤ 100/min
Operating Temperature	-30 °C to +80 °C	-30 °C to +80 °C
Protection Rating	IP65	IP65
Utilization Category (up to)*	AC-15, Ue/Ue 240V 3A	AC-15, Ue/Ue 240V 3A
Rate Insulation Voltage	400VAC	400VAC

Approvals * Depending on switching system - see technical information for details



Special features/variants (on request)

- Available with different spring lengths
- Spring rod
- Various spring versions

Drawing dimensions in mm