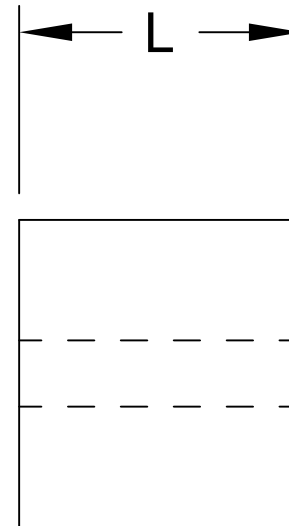
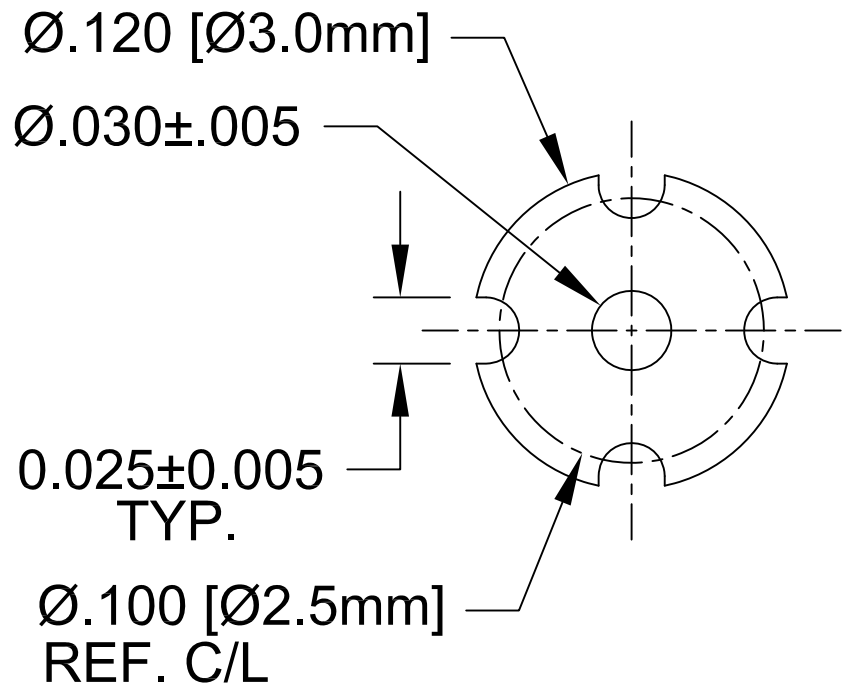


REV.	DESCRIPTION	DATE	APPROVED
E	Engineering Update w/o Changes	02/26/04	M. C.
F	Material Update	10/13/08	T.Y.



3. TOLERANCE "L" DIMENSION:

- 0.030 - 0.500 (1.0 - 12.7mm)  $\pm 0.005$  (0.1mm)
- 0.505 - 0.750 (12.8 - 19.1mm)  $\pm 0.008$  (0.2mm)
- 0.755 - 1.250 (19.2 - 31.8mm)  $\pm 0.015$  (0.4mm)

2. MATERIAL: PVC ALLOY, 94V-0, BLACK. BIVAR MATERIAL CODE 58-BK.  
CYBERSHIELD PVC ALLOY, CS1534WX-BLK02N BLACK.

1. GENERAL SPECIFICATIONS: BIVAR EXTRUDED PRODUCT SPECIFICATION BV00-E105.

STANDARD TOLERANCE ( UNLESS OTHERWISE SPECIFIED )		BIVAR®	
		4 THOMAS, IRVINE, CA. 92618 TEL: (949) 951-8808 FAX: (949) 951-3974	
<u>DECIMALS</u>	<u>ANGULAR</u>	<b>TITLE:</b> EXTRUDED, SELF-RETAINING LED MOUNT	
.X $\pm .1$	X° $\pm 1^\circ$	<b>PART NO:</b> ELM 7	
.XX $\pm .01$		REVISION: F	
.XXX $\pm .005$		<b>CAGE CODE :</b> 32559 <b>SHEET #</b> 1 <b>OF</b> 1	
DESIGNED: <b>Shane Irving</b>	DATE: <b>02/03/98</b>	CAD GENERATED DOCUMENT, DO NOT MEASURE DRAWING.	
CHECKED: <b>M. Chen</b>	DATE: <b>12/17/02</b>		