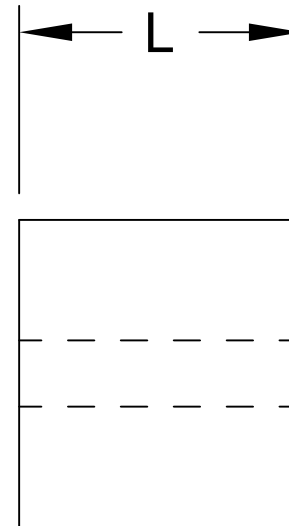
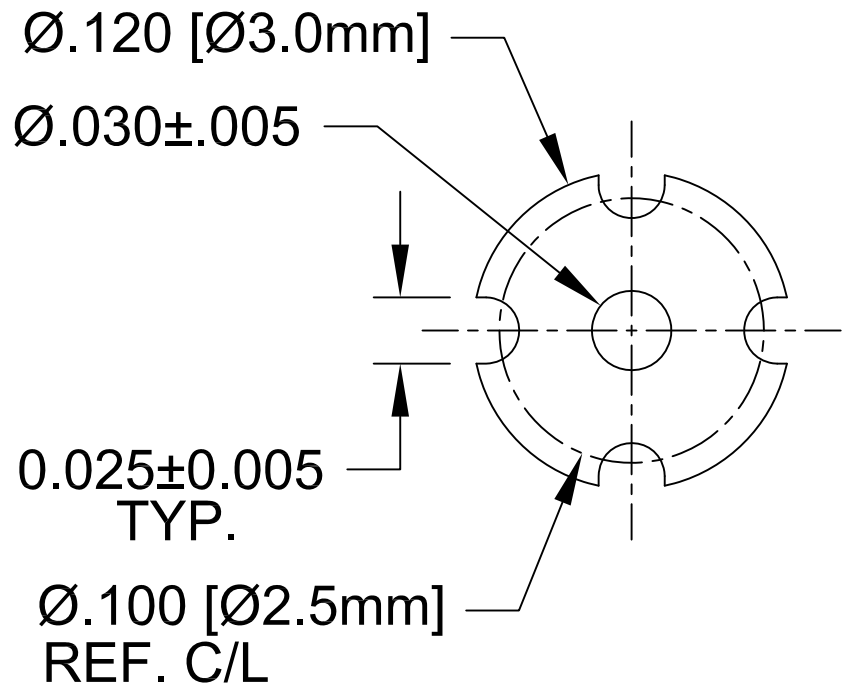


REV.	DESCRIPTION	DATE	APPROVED
E	Engineering Update w/o Changes	02/26/04	M. C.
F	Material Update	10/13/08	T.Y.


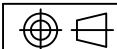


3. TOLERANCE "L" DIMENSION:

- 0.030 - 0.500 (1.0 - 12.7mm) ± 0.005 (0.1mm)
- 0.505 - 0.750 (12.8 - 19.1mm) ± 0.008 (0.2mm)
- 0.755 - 1.250 (19.2 - 31.8mm) ± 0.015 (0.4mm)

2. MATERIAL: PVC ALLOY, 94V-0, BLACK. BIVAR MATERIAL CODE 58-BK.
 CYBERSHIELD PVC ALLOY, CS1534WX-BLK02N BLACK.

1. GENERAL SPECIFICATIONS: BIVAR EXTRUDED PRODUCT SPECIFICATION BV00-E105.

STANDARD TOLERANCE (UNLESS OTHERWISE SPECIFIED)		 4 THOMAS, IRVINE, CA. 92618 TEL: (949) 951-8808 FAX: (949) 951-3974			
DECIMALS	ANGULAR				
.X $\pm .1$	X° $\pm 1^\circ$		TITLE: EXTRUDED, SELF-RETAINING LED MOUNT		
.XX $\pm .01$				PART NO: ELM 7	REVISION: F
.XXX $\pm .005$				DESIGNED: Shane Irving	DATE: 02/03/98
CHECKED: M. Chen	DATE: 12/17/02	CAGE CODE : 32559	SHEET # 1 OF 1		