

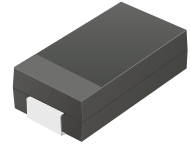
## CDBA540-HF Thru. CDBA5200-HF

Reverse Voltage: 40 to 200 Volts

Forward Current: 5.0 Amp

RoHS Device

Halogen Free

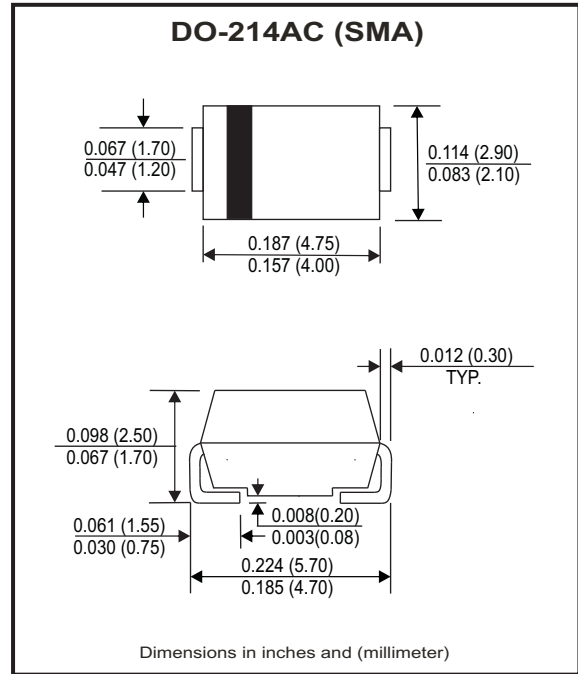


### Features

- Low Profile surface mount applications in order to optimize board space.
- Low power loss, high efficiency.
- High current capability, low forward voltage drop.
- High surge capability.
- Guard ring for overvoltage protection.
- Ultra high-speed switching.
- Silicon epitaxial planar chip, metal silicon junction.

### Mechanical data

- Epoxy: UL94-V0 rate flame retardant.
- Case: Molded plastic, DO-214AC / SMA
- Terminals: solderable per MIL-STD-750, method 2026.
- Polarity: Indicated by cathode band.
- weight: 0.055 grams



### Maximum Ratings and Electrical Characteristics

Ratings at Ta=25°C unless otherwise noted.  
 Single phase, half wave, 60Hz, resistive or inductive loaded.  
 For capacitive load, derate current by 20% .

Parameter	Symbol	CDBA 540-HF	CDBA 560-HF	CDBA 5100-HF	CDBA 5150-HF	CDBA 5200-HF	Units
Max. repetitive peak reverse voltage	V <sub>RRM</sub>	40	60	100	150	200	V
Max. DC blocking voltage	V <sub>DC</sub>	40	60	100	150	200	V
Max. RMS voltage	V <sub>RMS</sub>	28	42	70	105	140	V
Max. instantaneous forward voltage @ 5.0A, T <sub>A</sub> =25°C	V <sub>F</sub>	0.55	0.75	0.81	0.87	0.90	V
Operating Temperature	T <sub>J</sub>	-50 to +150			-50 to +175		°C

Parameter	Conditions	Symbol	MIN.	TYP.	MAX.	Units
Forward rectified current	see Fig.1	I <sub>o</sub>			5.0	A
Forward surge current	8.3ms single half sine-wave superimposed on rate load (JEDEC method)	I <sub>FSM</sub>			125	A
Reverse Current	V <sub>R</sub> =V <sub>RRM</sub> T <sub>A</sub> =25°C	I <sub>R</sub>			0.5	mA
	V <sub>R</sub> =V <sub>RRM</sub> T <sub>A</sub> =100°C	I <sub>R</sub>			20	mA
Thermal Resistance	Junction to ambient	R <sub>θJA</sub>		24		°C/W
Diode Junction capacitance	f=1MHz and applied 4V DC reverse Voltage	C <sub>J</sub>		380		pF
Storage temperature		T <sub>STG</sub>	-50		+175	°C

Company reserves the right to improve product design , functions and reliability without notice.

REV: C

## RATING AND CHARACTERISTIC CURVES (CDBA540-HF thru. CDBA5200-HF)

Fig.1 Typical Forward Current Derating Curve

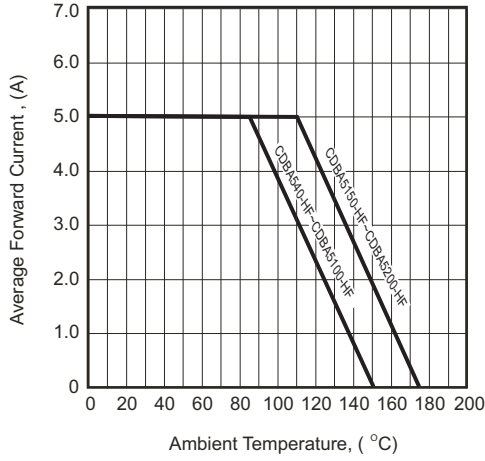


Fig.2- Typical Forward Characteristics

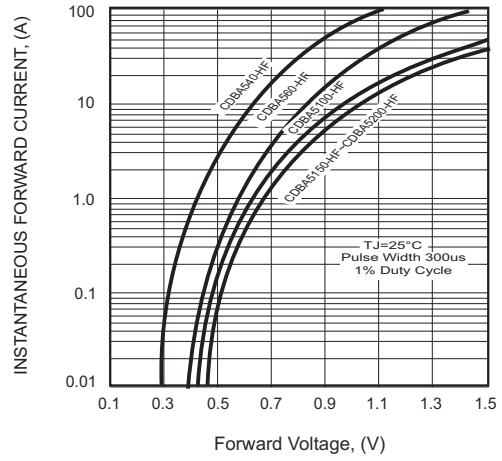


Fig.3- Maximum Non-repetitive Forward Surge Current

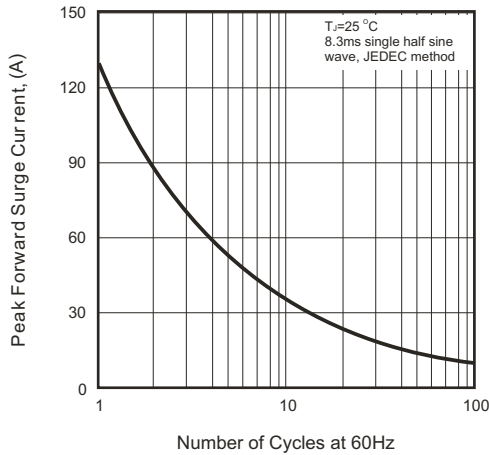


Fig.4- Typical Junction Capacitance

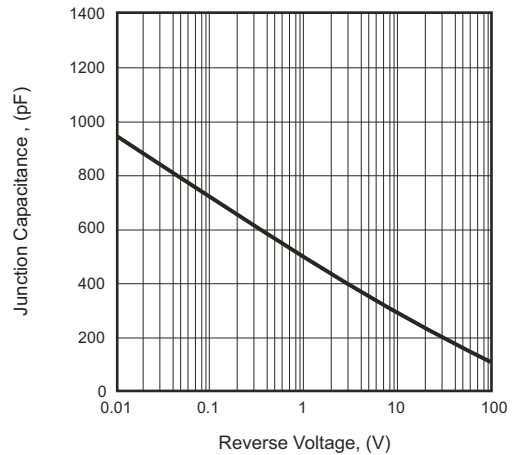
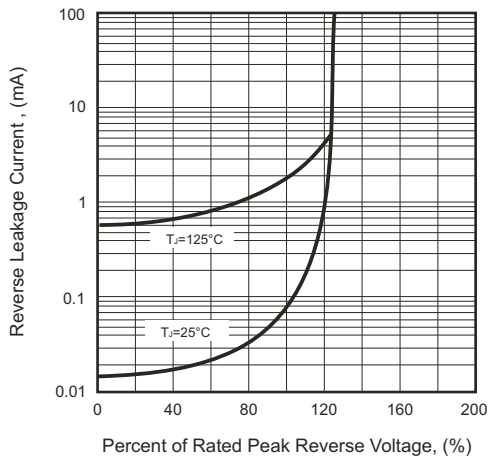
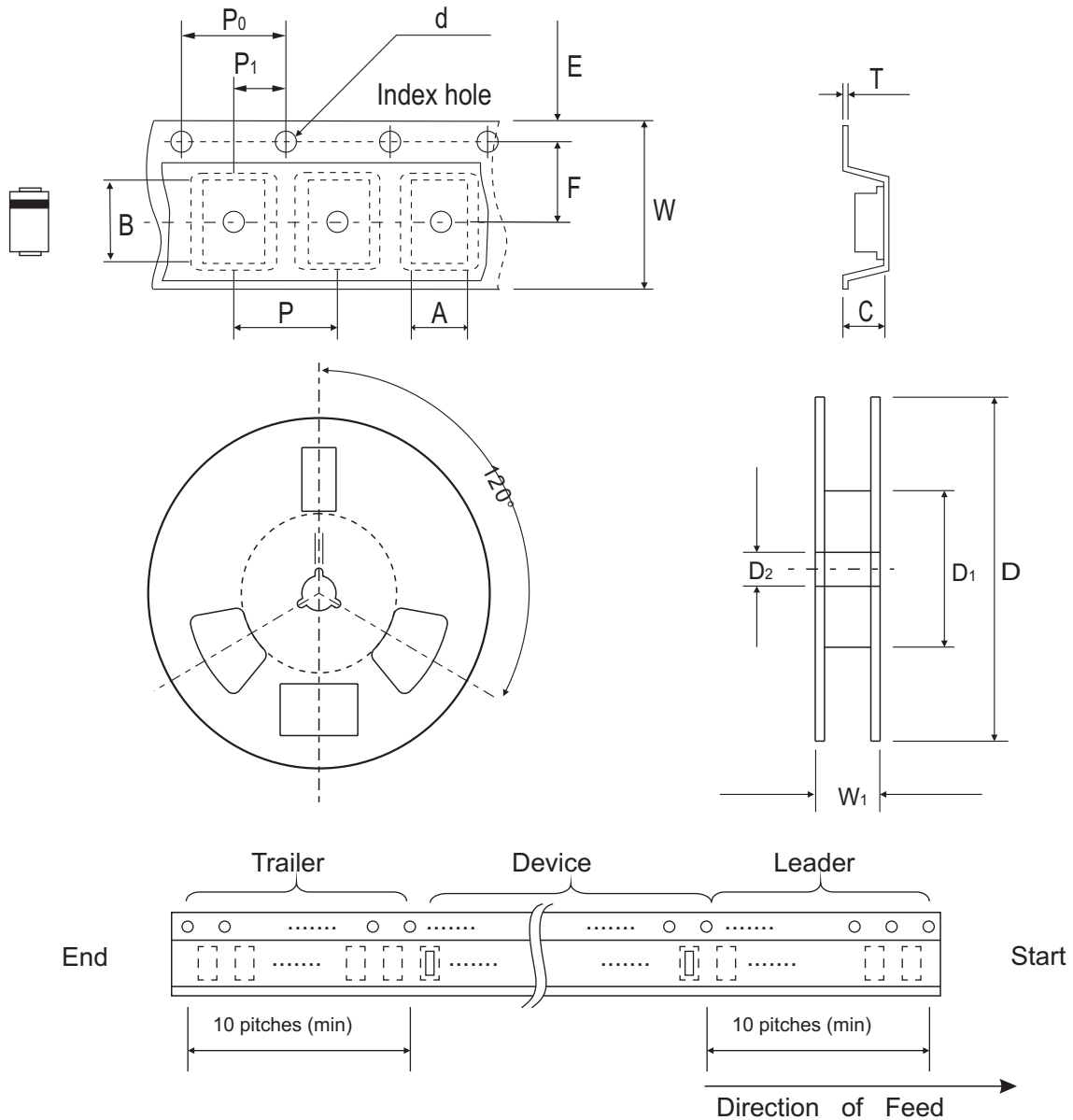


Fig.5- Typical Reverse Characteristics



Company reserves the right to improve product design, functions and reliability without notice.

## Reel Taping Specification



DO-214AC (SMA)	SYMBOL	A	B	C	d	D	D1	D2
	(mm)	2.70 ± 0.10	5.30 ± 0.10	2.66 ± 0.10	1.50 ± 0.10	330 ± 2.00	62.0 MIN.	13.50 ± 0.50
	(inch)	0.106 ± 0.004	0.209 ± 0.004	0.105 ± 0.004	0.059 ± 0.004	12.99 ± 0.079	2.441 MIN.	0.531 ± 0.020

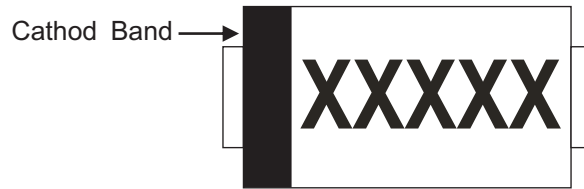
DO-214AC (SMA)	SYMBOL	E	F	P	P0	P1	T	W	W1
	(mm)	1.75 ± 0.10	5.50 ± 0.10	4.00 ± 0.10	4.00 ± 0.10	2.00 ± 0.10	0.60 ± 0.10	12.0 ± 0.30	18.40 ± 1.00
	(inch)	0.069 ± 0.004	0.217 ± 0.004	0.157 ± 0.004	0.157 ± 0.004	0.079 ± 0.004	0.236 ± 0.004	0.472 ± 0.012	0.724 ± 0.039

Company reserves the right to improve product design, functions and reliability without notice.

REV: C

## Marking Code

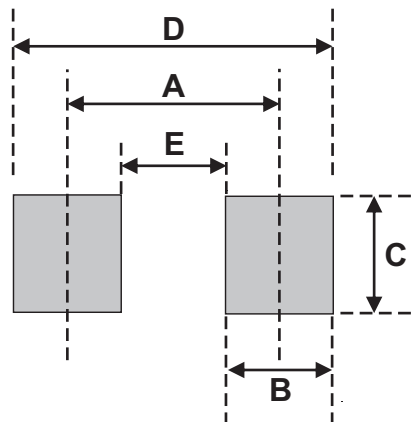
Part Number	Marking Code
CDBA540-HF	SK54
CDBA560-HF	SK56
CDBA5100-HF	SK510
CDBA5150-HF	SK515
CDBA5200-HF	SK520



xxxxxx = Product type marking code

## Suggested PAD Layout

SIZE	DO-214AC(SMA)	
	(mm)	(inch)
A	4.00	0.157
B	2.50	0.100
C	1.70	0.068
D	6.50	0.256
E	1.50	0.060



## Standard Packaging

Case Type	REEL PACK	
	REEL ( pcs )	Reel Size (inch)
DO-214AC (SMA)	5,000	13