



Accessories and Tools



667-356 Receptacle and 667-357 Plug, Metal Covers for Series 880 QDC Connectors

METAL PROTECTIVE COVERS FOR SERIES 880 QUICK-DISCONNECT PLUGS AND RECEPTACLES



Receptacle Cover



Plug Cover

Rugged metal protective covers fit 880 Series quick-disconnect (QDC) connectors. Protects connector from water and debris ingress. Three attachment options: nylon rope with lug termination (G-02 thru G-160) for attaching to panel, slip knot (GSCS) for attachment to cable or panel, and 1/32 inch stainless steel wire rope with loose crimp ferrule (SCF) for attaching to cable or to panel. Aluminum or stainless steel body.

How To Order						
Sample Part Number	667-357	M	B	G	70	-2
Series	667-356 Receptacle, metal cover 667-357 Plug, metal cover					
Shell Material/Finish	M = Aluminum/electroless nickel RoHS compliant ZR = Aluminum/zinc-nickel, non-reflective with RoHS compliant black chromate MT = Aluminum/nickel-PTFE RoHS compliant ZMT = Stainless steel/nickel-PTFE RoHS compliant					
Shell Size	See Dimensions Table for appropriate cover					
Attachment Type	G = 1/16 inch diameter black nylon rope S = 1/32 inch diameter black nylon coated SST wire rope N = No Lanyard Attachment NB = No lanyard or attachment boss					
Termination Type	See Attachment Termination table for code					
Attachment Length	Lanyard length in inches (recommended length 2.0 inches) Omit with attachment type N, NB					

Materials and Finishes	
Cover	Aluminum alloy or stainless steel. See Ordering Info for material and finish options
Lanyard	Black nylon rope .062" (1.57) diameter or 1/32" stainless steel rope with black nylon coating .034" (0.86) diameter
Crimp Ring, Attachment Ring and Crimp Ferrule	Stainless steel with black oxide finish
Shrink Sleeve	Polyolefin, black



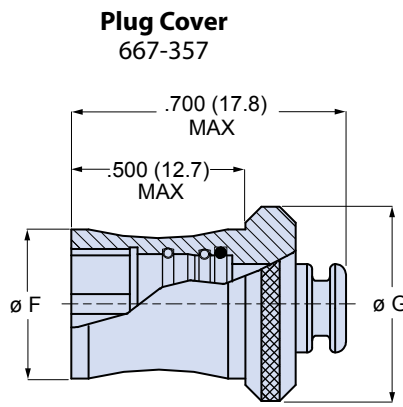
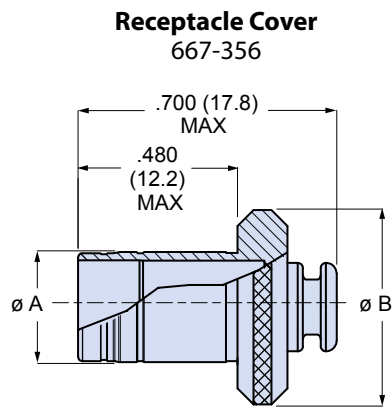
Accessories and Tools



667-356 Receptacle and 667-357 Plug, Metal Covers for Series 880 QDC Connectors

Attachment Termination		
Termination Code	Description	Style
Ø 1/16 Nylon Cord Lanyard (Style "G") Attachment:		
-00	No Terminal	
-02 thru -160 See Table I	Lug Termination	
-SCS	Slip Crimp Sleeve ²	Provides "slip knot" adjustment may be crimped for permanent attachment
-CF	Crimp Ferrule ³	Supplied loose for field termination of lanyard
Ø 1/32 Stainless Steel Wire (Style "S") Attachment:		
-00	No Terminal	
-CF	Crimp Ferrule ³	Supplied loose for field termination of lanyard

Table I: Lug Termination Codes				
Code	Ø C Max		Ø D Max	
	In	mm	In	mm
00	NO TERMINAL			
02	0.093	(2.40)	0.310	(7.90)
04	0.121	(3.10)	0.310	(7.90)
60	0.242	(6.10)	0.362	(9.20)
65	0.262	(6.70)	0.382	(9.70)
70	0.282	(7.20)	0.402	(10.20)
75	0.302	(7.70)	0.422	(10.70)
80	0.321	(8.20)	0.441	(11.20)
85	0.341	(8.70)	0.461	(11.70)
90	0.361	(9.20)	0.481	(12.20)
95	0.380	(9.70)	0.500	(12.70)
100	0.400	(10.20)	0.520	(13.20)
105	0.420	(10.70)	0.540	(13.70)
110	0.439	(11.20)	0.559	(14.20)
115	0.459	(11.70)	0.579	(14.70)
120	0.478	(12.10)	0.598	(15.20)
125	0.498	(12.60)	0.618	(15.70)
130	0.518	(13.20)	0.638	(16.20)
135	0.538	(13.70)	0.658	(16.70)
140	0.557	(14.10)	0.677	(17.20)
145	0.577	(14.70)	0.697	(17.70)
150	0.597	(15.20)	0.717	(18.20)
155	0.617	(15.70)	0.737	(18.70)
160	0.637	(16.20)	0.757	(19.20)
SCS	Slip/Crimp Sleeve			
CF	Crimp Ferrule (Loose)			



667-356 Dimensions				
Shell Size	Ø A		Ø B	
	In.	mm.	In.	mm.
B	0.169	4.30	0.417	10.60
C	0.194	4.90	0.442	11.20
D	0.207	5.30	0.455	11.60
E	0.233	5.90	0.481	12.20
F	0.252	6.40	0.500	12.70
G	0.274	7.00	0.522	13.30
H	0.311	7.90	0.559	14.20
J	0.339	8.60	0.587	14.90
K	0.361	9.20	0.609	15.50
L	0.400	10.20	0.648	16.50

667-357 Dimensions				
Shell Size	Ø F		Ø G	
	In.	mm.	In.	mm.
B	0.317	8.10	0.417	10.60
C	0.342	8.70	0.442	11.20
D	0.355	9.00	0.455	11.60
E	0.381	9.70	0.481	12.20
F	0.400	10.20	0.500	12.70
G	0.422	10.70	0.522	13.30
H	0.459	11.70	0.559	14.20
J	0.487	12.40	0.587	14.90
K	0.509	12.90	0.609	15.50
L	0.548	13.90	0.648	16.50

NOTES

- Attachment to withstand 25 lb pull test
- Slip/crimp sleeve (SCS) - for Type G nylon cord only
Provides "slip knot" adjustment, may be crimped for permanent attachment
- Crimp ferrule (CF) - for Type S wire rope and G nylon cord
Supplied loose for user termination