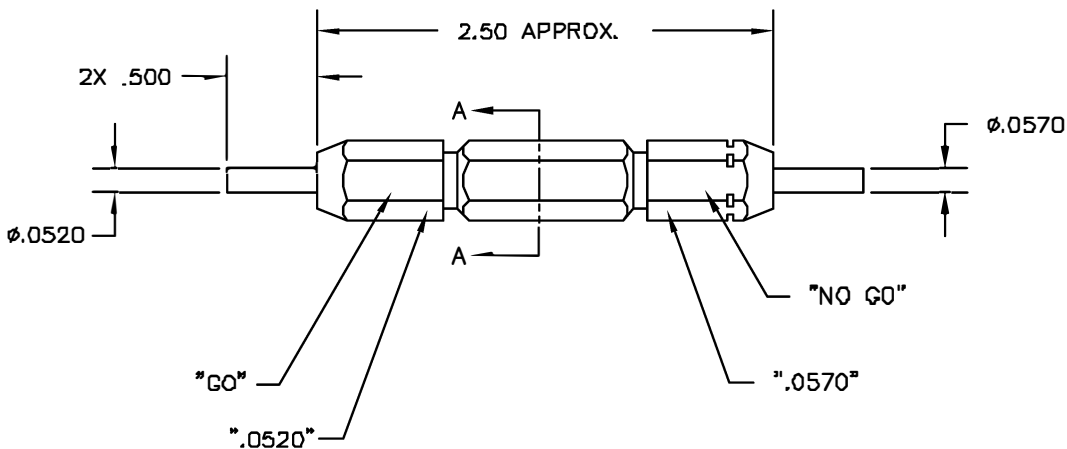



"DO NOT CRIMP"
"GAGE"
"DANIELS-USA G1003"
"SET SEL. AT 3"
"FOR M309 TOOL"

SECTION A-A



REVISIONS				
REV. SYM	E.C.O. NUMBER	DESCRIPTION	BY DATE	APP'D DATE
1		ORIGINAL RELEASE	JWJ 1/18/03	RFR 1/18/03

**UNCONTROLLED DOCUMENT
WILL NOT BE UPDATED**

RESTRICTED & CONFIDENTIAL CONFIDENTIAL PROPERTY OF DANIELS MANUFACTURING CORP. NOT TO BE DISCLOSED TO OTHERS, REPRODUCED OR USED FOR ANY OTHER PURPOSE, EXCEPT AS AUTHORIZED IN WRITING BY DANIELS MANUFACTURING. MUST BE RETURNED TO DANIELS MANUFACTURING CORP. ON COMPLETION OF ORDER OR OTHER PURPOSE FOR WHICH LENT.	MATERIAL	ITEM	PART NO.	QTY.	DESCRIPTION/REMARKS
	HEAT TREAT	DRN. J. JOYCE	DATE 1/18/03		 DANIELS MANUFACTURING CORP. ORLANDO, FLORIDA CAGE 11851
DO NOT SCALE DRAWING	FINISH	APP'D.	DATE		TITLE
		APP'D.	DATE		GO/NO-GO GAGE ENVELOPE DRAWING
					WHERE USED: M.309
		SIZE B	SCALE NTS	CAD P/N G1003-ENV	SHEET 1 OF 1
		POSTING	P/N	G1003-ENV	REV. 1