

## DS4-XO Series Crystal Oscillators

### General Description

The DS4125, DS4150, DS4155, DS4156, DS4160, DS4250, DS4300, DS4311, DS4312, DS4622, and DS4776 ceramic surface-mount crystal oscillators are part of Maxim's DS4-XO series of crystal oscillators. These devices offer output frequencies at 125MHz, 155.52MHz, 156.25MHz, 160MHz, 311.04MHz, 312.5MHz, 622.08MHz, and 77.76MHz. The clock oscillators are suited for systems with tight tolerances because of the jitter, phase noise, and stability performance. The small package provides a format made for applications where PCB space is critical.

These clock oscillators are crystal based and use a fundamental crystal with PLL technology to provide the final output frequencies. Each device is offered with LVDS or LVPECL output types. The output enable pin is active-high logic.

These clock oscillators have very low phase jitter and phase noise. Typical phase jitter is  $< 0.7\text{psRMS}$  from 12kHz to 20MHz. The devices are designed to operate with a  $3.3\text{V} \pm 5\%$  supply voltage, and are available in a  $5.0\text{mm} \times 3.2\text{mm} \times 1.49\text{mm}$ , 10-pin LCCC surface-mount ceramic package.

### Applications

InfiniBand  
BPON/GPON  
Ethernet  
10GbE  
SONET/SDH

**Pin Configuration and Selector Guide appear at end of data sheet.**

### Features

- ◆  $< 0.7\text{psRMS}$  from 12kHz to 20MHz Jitter
- ◆ LVDS or LVPECL Output Types
- ◆ 3.3V Operating Voltage
- ◆  $5.0\text{mm} \times 3.2\text{mm} \times 1.49\text{mm}$ , 10-Pin LCCC Ceramic Package
- ◆  $-40^\circ\text{C}$  to  $+85^\circ\text{C}$  Operating Temperature Range
- ◆ Lead-Free/RoHS Compliant

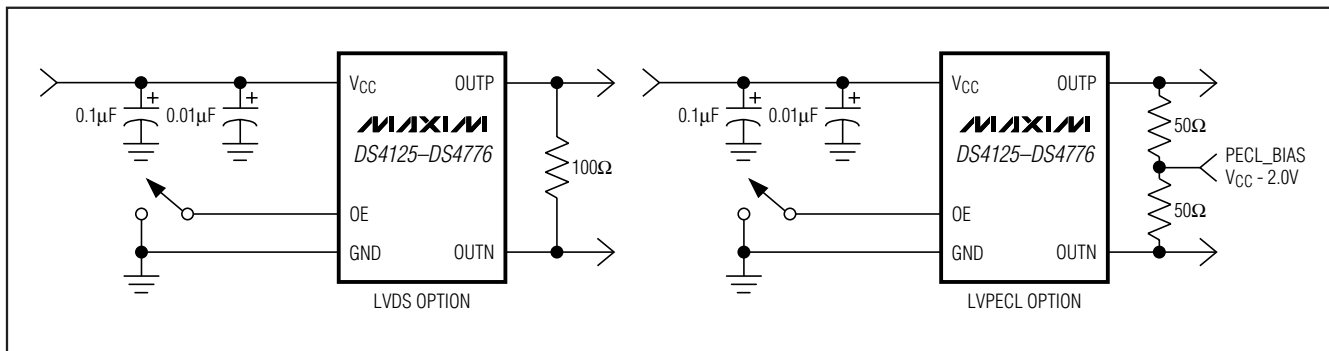
### Ordering Information

PART	TEMP RANGE	PIN-PACKAGE
<b>DS4125D+</b>	$-40^\circ\text{C}$ to $+85^\circ\text{C}$	10 LCCC
DS4125P+	$-40^\circ\text{C}$ to $+85^\circ\text{C}$	10 LCCC
<b>DS4150D+</b>	$-40^\circ\text{C}$ to $+85^\circ\text{C}$	10 LCCC
DS4150P+	$-40^\circ\text{C}$ to $+85^\circ\text{C}$	10 LCCC
<b>DS4155D+</b>	$-40^\circ\text{C}$ to $+85^\circ\text{C}$	10 LCCC
DS4155P+	$-40^\circ\text{C}$ to $+85^\circ\text{C}$	10 LCCC
<b>DS4156D+</b>	$-40^\circ\text{C}$ to $+85^\circ\text{C}$	10 LCCC
DS4156P+	$-40^\circ\text{C}$ to $+85^\circ\text{C}$	10 LCCC
<b>DS4160D+</b>	$-40^\circ\text{C}$ to $+85^\circ\text{C}$	10 LCCC
DS4160P+	$-40^\circ\text{C}$ to $+85^\circ\text{C}$	10 LCCC
<b>DS4250D+</b>	$-40^\circ\text{C}$ to $+85^\circ\text{C}$	10 LCCC
DS4250P+	$-40^\circ\text{C}$ to $+85^\circ\text{C}$	10 LCCC
<b>DS4300D+</b>	$-40^\circ\text{C}$ to $+85^\circ\text{C}$	10 LCCC
DS4300P+	$-40^\circ\text{C}$ to $+85^\circ\text{C}$	10 LCCC

+ Denotes a lead(Pb)-free/RoHS-compliant package. The lead finish is JESD97 category e4 (Au over Ni) and is compatible with both lead-based and lead-free soldering processes.

Ordering Information continued at end of data sheet.

### Typical Operating Circuits



# DS4-XO Series Crystal Oscillators

## ABSOLUTE MAXIMUM RATINGS

Power-Supply Voltage (V <sub>CC</sub> ).....-0.3V, +4V	Storage Temperature Range .....-55°C to +85°C
Operating Temperature Range .....-40°C to +85°C	Soldering Temperature Profile
Junction Temperature .....+150°C	(3 passes max of reflow) .....Refer to the IPC/JEDEC J-STD-020 Specification.

Stresses beyond those listed under "Absolute Maximum Ratings" may cause permanent damage to the device. These are stress ratings only, and functional operation of the device at these or any other conditions beyond those indicated in the operational sections of the specifications is not implied. Exposure to absolute maximum rating conditions for extended periods may affect device reliability.

## ELECTRICAL CHARACTERISTICS

(V<sub>CC</sub> = 3.135V to 3.465V, T<sub>A</sub> = -40°C to +85°C, unless otherwise noted.)

PARAMETER	SYMBOL	CONDITIONS	MIN	TYP	MAX	UNITS
Operating Voltage Range	V <sub>CC</sub>	(Note 1)	3.135	3.3	3.465	V
Operating Current	I <sub>CC_D</sub>	LVDS, output loaded or unloaded		52	75	mA
	I <sub>CC_PU</sub>	LVPECL, output unloaded		49	70	
	I <sub>CC_PI</sub>	LVPECL, output load 50Ω at V <sub>CC</sub> - 2.0V		74	100	
Output Frequency	f <sub>OUT</sub>			f <sub>NOM</sub>		MHz
Oscillator Startup Time	t <sub>STARTUP</sub>	(Note 2)			50	ms
Frequency Stability	Δf <sub>TOTAL</sub>	Over temperature range, aging, load, supply, and initial tolerance (Note 3)	-50	f <sub>NOM</sub>	+50	ppm
Frequency Stability Over Temperature with Initial Tolerance	Δf <sub>TEMP</sub>	V <sub>CC</sub> = 3.3V	-35		+35	ppm
Initial Tolerance	Δf <sub>INITIAL</sub>	V <sub>CC</sub> = 3.3V, T <sub>A</sub> = +25°C		±20		ppm
Frequency Change Due to ΔV <sub>CC</sub>	Δf <sub>VCC</sub>	V <sub>CC</sub> = 3.3V ±5%	-3		+3	ppm/V
Frequency Change Due to Load Variation	Δf <sub>LOAD</sub>	±10% variation in termination resistance		±1		ppm
Aging (15 Years)	Δf <sub>AGING</sub>		-7		+7	ppm
Jitter	J <sub>RMS</sub>	Integrated phase RMS; 12kHz to 5MHz, V <sub>CC</sub> = 3.3V, T <sub>A</sub> = +25°C		0.7		ps
		Integrated phase RMS; 12kHz to 20MHz, V <sub>CC</sub> = 3.3V, T <sub>A</sub> = +25°C		0.7		
		Integrated phase RMS; 12kHz to 80MHz, V <sub>CC</sub> = 3.3V, T <sub>A</sub> = +25°C		1.0		
Input-Voltage High (OE)	V <sub>IH</sub>	(Note 1)	0.7 x V <sub>CC</sub>		V <sub>CC</sub>	V
Input-Voltage Low (OE)	V <sub>IL</sub>	(Note 1)	0		0.3 x V <sub>CC</sub>	V
Input Leakage (OE)	I <sub>LEAK</sub>	GND ≤ OE ≤ V <sub>CC</sub>	-50		+5.0	μA

# DS4-XO Series Crystal Oscillators

DS4125-DS4776

## ELECTRICAL CHARACTERISTICS (continued)

( $V_{CC} = 3.135V$  to  $3.465V$ ,  $T_A = -40^{\circ}C$  to  $+85^{\circ}C$ , unless otherwise noted.)

PARAMETER	SYMBOL	CONDITIONS	MIN	TYP	MAX	UNITS
<b>LVDS</b>						
Output High Voltage	$V_{OHLVDSO}$	100 $\Omega$ differential load (Note 1)			1.475	V
Output Low Voltage	$V_{OLLVDSO}$	100 $\Omega$ differential load (Note 1)	0.925			V
Differential Output Voltage	$ V_{ODLVDSO} $	100 $\Omega$ differential load	250		425	mV
Output Common-Mode Voltage Variation	$V_{LVDSOCOM}$	100 $\Omega$ differential load			150	mV
Change in Differential Magnitude or Complementary Inputs	$\Delta V_{ODLVDSO} $	100 $\Omega$ differential load			25	mV
Offset Output Voltage	$V_{OFFLVDSO}$	100 $\Omega$ differential load (Note 1)	1.125		1.275	V
Differential Output Impedance	$R_{OLVDSO}$		80		140	$\Omega$
Output Current	$L_{VSSLVDSO}$	OUTN or OUTP shorted to ground and measure the current in the shorting path			40	mA
	$L_{LVDSO}$	OUTN or OUTP shorted together		6.5		
Output Rise Time (Differential)	$t_{RLVDSO}$	20% to 80%		175		ps
Output Fall Time (Differential)	$t_{FLVDSO}$	80% to 20%		175		ps
Duty Cycle	$D_{CYCLE\_LVDS}$		45		55	%
Propagation Delay from OE Going LOW to Logical 1 at OUTP	$t_{PA1}$				200	ns
Propagation Delay from OE Going HIGH to Output Active	$t_{P1A}$				200	ns
<b>LVPECL</b>						
Output High Voltage	$V_{OH}$	Output connected to 50 $\Omega$ at PECL_BIAS at $V_{CC} - 2.0V$	$V_{CC} - 1.085$		$V_{CC} - 0.88$	V
Output Low Voltage	$V_{OL}$	Output connected to 50 $\Omega$ at PECL_BIAS at $V_{CC} - 2.0V$	$V_{CC} - 1.825$		$V_{CC} - 1.62$	V
Differential Voltage	$V_{DIFF\_PECL}$	Output connected to 50 $\Omega$ at PECL_BIAS at $V_{CC} - 2.0V$	0.595	0.710		V
Rise Time	$t_{R-PECL}$			200		ps
Fall Time	$t_{F-PECL}$			200		ps
Duty Cycle	$D_{CYCLE\_PECL}$		45		55	%
Propagation Delay from OE Going LOW to Output High Impedance	$t_{PAZ}$				200	ns
Propagation Delay from OE Going HIGH to Output Active	$t_{PZA}$				200	ns

**Note 1:** All voltages referenced to ground.

**Note 2:** AC parameters are guaranteed by design and not production tested.

**Note 3:** Frequency stability is calculated as:  $\Delta f_{TOTAL} = \Delta f_{TEMP} + \Delta f_{VCC} \times (3.3 \times 5\%) + \Delta f_{LOAD} + \Delta f_{AGING}$ .

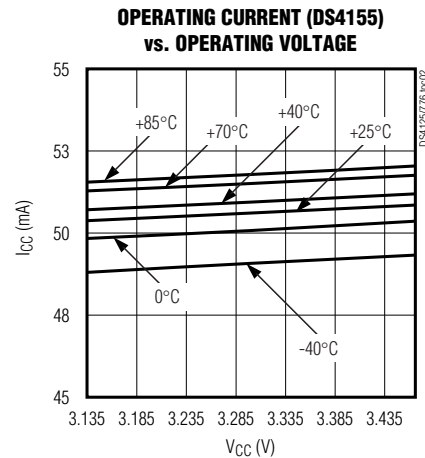
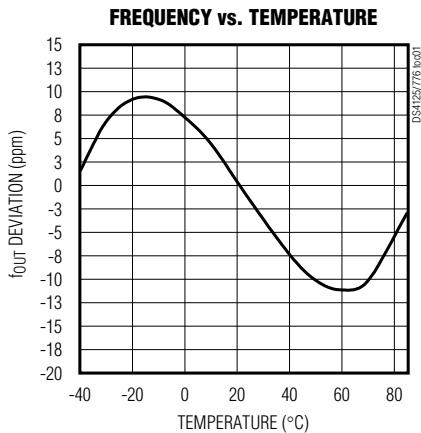
# DS4-XO Series Crystal Oscillators

## SINGLE-SIDEBAND PHASE NOISE AT $f_O = f_{NOM}$

$f_M =$	SINGLE-SIDEBAND PHASE NOISE AT $f_O = f_{NOM}$ (dBc/Hz)							
	77.76MHz	125.00MHz	155.52MHz	156.25MHz	160.00MHz	311.04MHz	312.5MHz	622.08MHz
10Hz	-60	-70	-70	-70	-70	-65	-65	-60
100Hz	-95	-100	-100	-100	-100	-95	-95	-90
1kHz	-122	-120	-120	-120	-120	-113	-113	-107
10kHz	-126	-120	-120	-120	-120	-113	-113	-107
100kHz	-131	-125	-125	-125	-125	-118	-118	-113
1MHz	-143	-142	-142	-142	-142	-137	-137	-131
10MHz	-149	-149	-149	-149	-149	-149	-149	-147
20MHz	-153	-153	-153	-153	-153	-153	-153	-150

## Typical Operating Characteristics

( $V_{CC} = +3.3V$ ,  $T_A = +25^\circ C$ , unless otherwise noted.)



## Pin Description

PIN	NAME	FUNCTION
1	OE	Active-High Output Enable. Has an internal pullup 100k $\Omega$ resistor.
2, 7-10	N.C.	No Connection. Must be floated.
3	GND	Ground
4	OUTP	Positive Output for LVPECL or LVDS
5	OUTN	Negative Output for LVPECL or LVDS
6	$V_{CC}$	Supply Voltage
—	EP	Exposed Paddle. Do not connect this pad or place exposed metal under the pad.

# DS4-XO Series Crystal Oscillators

DS4125-DS4776

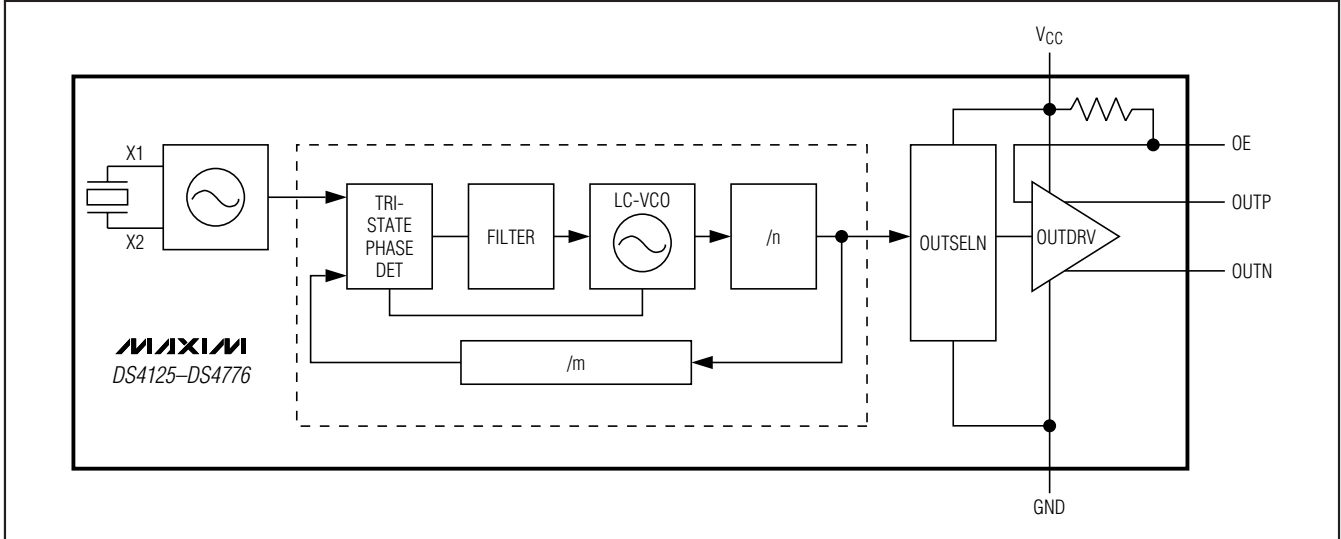


Figure 1. Functional Diagram

## Detailed Description

The devices consist of a fundamental-mode, AT-cut crystal and a synthesizer IC that can synthesize any one of these frequencies: 77.76MHz, 125MHz, 150MHz, 155.52MHz, 156.25MHz, 160MHz, 250MHz, 300MHz, 311.04MHz, 312.5MHz, and 622.08MHz.

All devices support two types of differential output drivers: LVDS and LVPECL. When the OE signal is low,

LVPECL outputs go to the PECL\_BIAS level of  $V_{CC} - 2.0V$ , while the LVDS outputs are a logical one. See Figures 2 and 3 for an LVDS and LVPECL output timing diagram.

## Additional Information

For more available frequencies, refer to the DS4106 data sheet at [www.maxim-ic.com/DS4106](http://www.maxim-ic.com/DS4106).

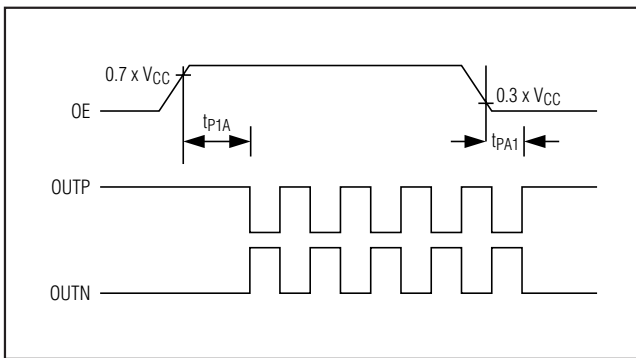


Figure 2. LVDS Output Timing Diagram When OE Is Enabled and Disabled

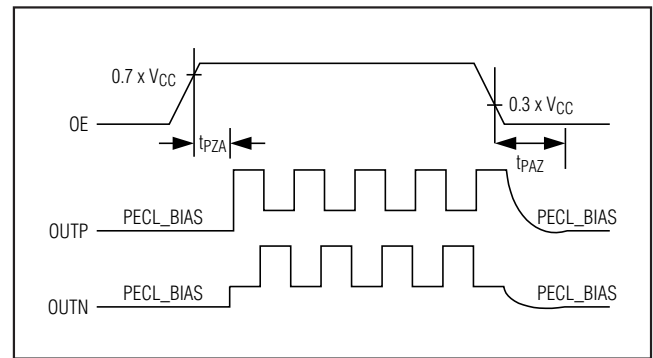


Figure 3. LVPECL Output Timing Diagram When OE Is Enabled and Disabled

# DS4-XO Series Crystal Oscillators

## Ordering Information (continued)

PART	TEMP RANGE	PIN-PACKAGE
<b>DS4311D+</b>	-40°C to +85°C	10 LCCC
DS4311P+	-40°C to +85°C	10 LCCC
<b>DS4312D+</b>	-40°C to +85°C	10 LCCC
DS4312P+	-40°C to +85°C	10 LCCC
<b>DS4622D+</b>	-40°C to +85°C	10 LCCC
DS4622P+	-40°C to +85°C	10 LCCC
<b>DS4776D+</b>	-40°C to +85°C	10 LCCC
DS4776P+	-40°C to +85°C	10 LCCC

+Denotes a lead(Pb)-free/RoHS-compliant package. The lead finish is JESD97 category e4 (Au over Ni) and is compatible with both lead-based and lead-free soldering processes.

## Chip Information

SUBSTRATE CONNECTED TO GROUND  
PROCESS: BiPOLAR SiGe

## Thermal Information

THETA-JA (°C/W)
90

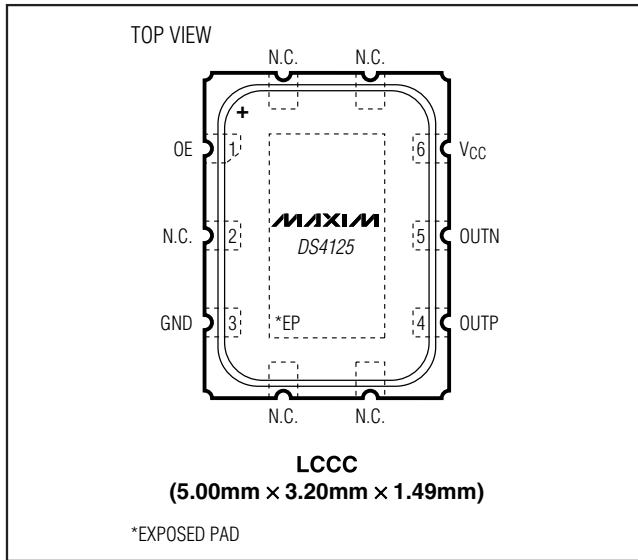
## Selector Guide

PART	FREQUENCY (NOM) (MHz)	FREQUENCY STABILITY (ppm)	OUTPUT TYPE	TOP MARK
<b>DS4125D+</b>	125.00	±50	LVDS	25D
DS4125P+	125.00	±50	LVPECL	25P
<b>DS4150D+</b>	150.00	±50	LVDS	50D
DS4150P+	150.00	±50	LVPECL	50P
<b>DS4155D+</b>	155.52	±50	LVDS	55D
DS4155P+	155.52	±50	LVPECL	55P
<b>DS4156D+</b>	156.25	±50	LVDS	56D
DS4156P+	156.25	±50	LVPECL	56P
<b>DS4160D+</b>	160.00	±50	LVDS	60D
DS4160P+	160.00	±50	LVPECL	60P
<b>DS4250D+</b>	250.00	±50	LVDS	T5D
DS4250P+	250.00	±50	LVPECL	T5P
<b>DS4300D+</b>	300.00	±50	LVDS	30D
DS4300P+	300.00	±50	LVPECL	30P
<b>DS4311D+</b>	311.04	±50	LVDS	31D
DS4311P+	311.04	±50	LVPECL	31P
<b>DS4312D+</b>	312.50	±50	LVDS	32D
DS4312P+	312.50	±50	LVPECL	32P
<b>DS4622D+</b>	622.08	±50	LVDS	62D
DS4622P+	622.08	±50	LVPECL	62P
<b>DS4776D+</b>	77.76	±50	LVDS	76D
DS4776P+	77.76	±50	LVPECL	76P

+Denotes a lead(Pb)-free/RoHS-compliant package. The lead finish is JESD97 category e4 (Au over Ni) and is compatible with both lead-based and lead-free soldering processes.

# DS4-XO Series Crystal Oscillators

## Pin Configuration



## Package Information

For the latest package outline information and land patterns, go to [www.maxim-ic.com/packages](http://www.maxim-ic.com/packages).

PACKAGE TYPE	PACKAGE CODE	DOCUMENT NO.
10 LCCC	L1053+H2	<a href="#">21-0389</a>

**DS4125-DS4776**

# DS4-XO Series Crystal Oscillators

## Revision History

REVISION NUMBER	REVISION DATE	DESCRIPTION	PAGES CHANGED
0	7/07	Initial release.	—
1	3/08	Added DS4150, DS4250, DS4300.	All
		Removed $\Delta f_{\text{INITIAL}}$ from the frequency stability calculation in Note 3.	3
		In the <i>Pin Description</i> , changed the EP description to indicate that it should not be connected and to avoid placing exposed metal under the pad location.	4
2	6/08	Removed future status from the DS4150, DS4250, and DS4300.	1, 6

Maxim cannot assume responsibility for use of any circuitry other than circuitry entirely embodied in a Maxim product. No circuit patent licenses are implied. Maxim reserves the right to change the circuitry and specifications without notice at any time.

8 **Maxim Integrated Products, 120 San Gabriel Drive, Sunnyvale, CA 94086 408-737-7600**