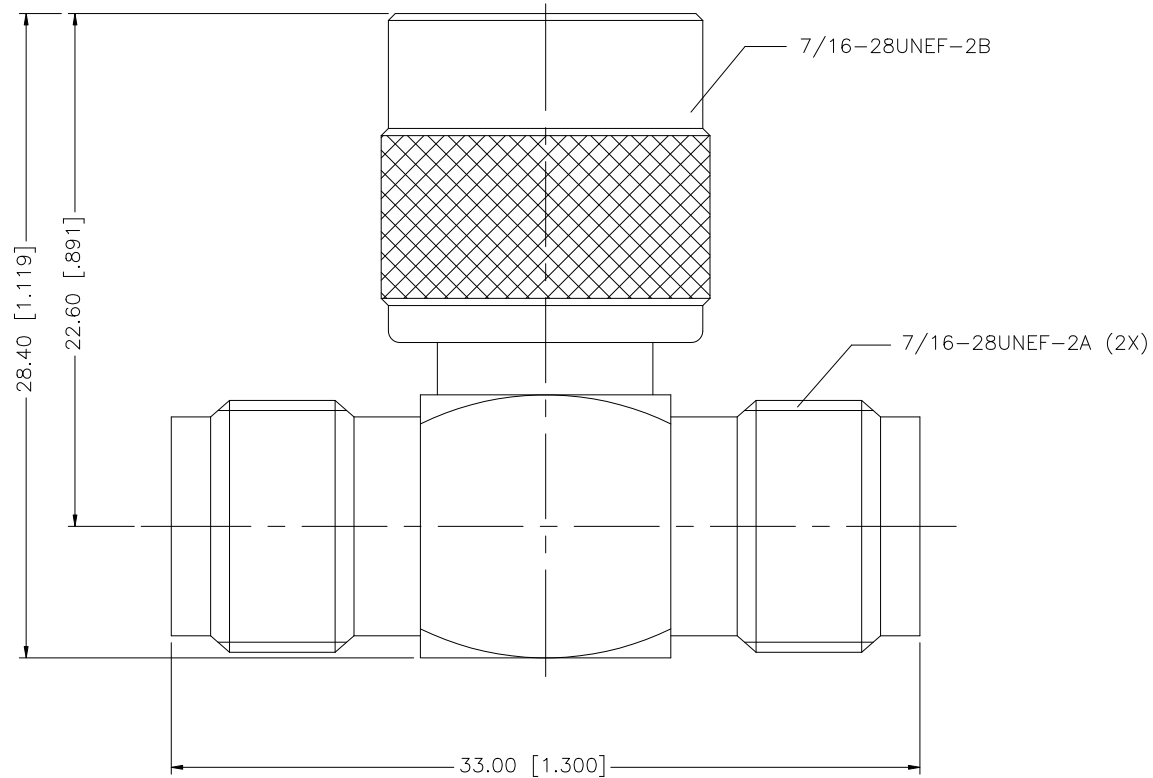


REV.	DATE	ECR NO.	DESCRIPTION
NC	11/25/08	-	INITIAL RELEASE



				UNLESS OTHERWISE SPECIFIED DIMENSIONS ARE IN MILLIMETERS. DIMENSIONS IN [ ] ARE IN INCHES AND FOR CUSTOMER REFERENCE ONLY.	APPROVALS	DATE	<b>Amphenol Connex</b>				
8					DRAWN	GRS					11/25/08
7					CHECKED			PART NO. <b>122356</b>			
6					ISSUED						
5	CONTACT PIN	BRASS	GOLD	1	SHEET	1 OF 1		REV. NC	SIZE A	SCALE NA	
4	CONTACT PIN	PHOS. BRONZE	GOLD	1	CAD FILE C:/122/122356.DWG						
3	INSULATOR	DELRIN	NATURAL	2							
2	BODY	BRASS	NICKEL	1	DO NOT SCALE DRAWING						
1	SHELL/HOUSING	BRASS	NICKEL	1							

UNLESS OTHERWISE SPECIFIED DIMENSIONS ARE IN MILLIMETERS. DIMENSIONS IN [ ] ARE IN INCHES AND FOR CUSTOMER REFERENCE ONLY.

UNLESS OTHERWISE SPECIFIED TOLERANCES FOR MILLIMETERS ARE:  
0.5 - 8mm ± 0.20mm  
8 - 30mm ± 0.40mm  
30 - 120mm ± 0.50mm

UNLESS OTHERWISE SPECIFIED TOLERANCES FOR INCHES ARE:  
.020 - .315 = ± 0.007"  
.315 - 1.180 = ± 0.015"  
1.180 - 4.724 = ± 0.020"

APPROVALS

DATE

DRAWN GRS 11/25/08

CHECKED

ISSUED

SHEET 1 OF 1

CAD FILE  
C:/122/122356.DWG

**Amphenol Connex**

PART DESCRIPTION

**TNC "T" ADAPTER JACK-PLUG-JACK**

PART NO.

**122356**

DWG. NO.

122356.DWG

REV. NC

SIZE A

SCALE NA

DESCRIPTION

MATERIAL

FINISH

QTY

DO NOT SCALE DRAWING