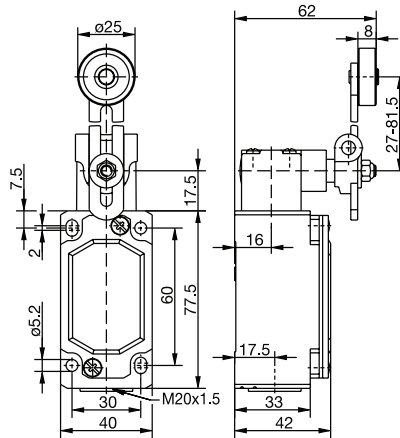


ENM2 Series

AV



Switching Operation	Slow Action	Snap Action
1 NC / 1 NO Contacts	608.7136.016 ENM2-U1 AV 	608.7386.017 ENM2-SU1 AV
2 NC Contacts	-	-
2 NO Contacts	618.7836.060 ENM2-E2 AV 	-
1 NC / 1 NO Contacts Overlapping	-	-
Replacement actuator:	391.8360.730	

Technical Information	Slow Action	Snap Action
Maximum Switching Voltage	240V	240V
Max. Switching Amps (up to)*	10A	10A
B10d (up to)*	20 Million	20 Million
Mechanical Service Life (up to)*	3 x 10 ⁶	10 x 10 ⁶
Switching Frequency	≤ 100/min	≤ 100/min
Operating Temperature	-30 °C to +80 °C	-30 °C to +80 °C
Protection Rating	IP65	IP65
Utilization Category (up to)*	AC-15, Ue/Ue 240V 3A	AC-15, Ue/Ue 240V 3A
Rate Insulation Voltage	400VAC	400VAC

Approvals

* Depending on switching system - see technical information for details



Special features/variants (on request)

- Available with various actuator lengths and actuator directions
- Various roller diameters