

ZENTRI

AMW006 / AMW106 Data Sheet



Disclaimer

While the information provided in this document is believed to be accurate, it is under development and Zentri reserves the right to make changes without further notice to the product described herein to improve reliability, function, or design, and makes no guarantee or warranty concerning the accuracy of said information, nor shall it be responsible for any loss or damage of whatever nature resulting from the use of, or reliance upon, such information. Zentri makes no warranties of any kind, whether express, implied or arising by custom or course of trade or performance, and specifically disclaims the implied warranties of title, non-infringement, merchantability, or fitness for a particular purpose.

No part of this document may be copied, reproduced, stored in a retrieval system, or transmitted, in any form or by any means, electronic, mechanical, photographic, or otherwise, or used as the basis for manufacture or sale of any items without the prior written consent of Zentri.

Trademarks

Zentri and the Zentri logo are trademarks of Zentri. Other trademarks in this document belong to their respective owners.

© 2014-2016 Zentri.

All rights reserved.

Document Number: ADS-MWx06-108R

Release Date: December 21, 2016

Contact

<https://www.zentri.com/contact-us/>

About this User Guide

This document provides information on the AMWx06 802.11b/g/n Wi-Fi networking module from Zentri.

Modules covered by this datasheet include:

AMWx06 Rev 6

Further information about ZentriOS is available from:

<http://docs.zentri.com>

Organization

This document is organized into the following sections:

| | | |
|----|---|----|
| 1 | General Description | 1 |
| 2 | Block Diagram | 2 |
| 3 | Electrical Specifications..... | 3 |
| 4 | WLAN RF Specifications..... | 5 |
| 5 | Pinout and Signal Descriptions..... | 7 |
| 6 | Design Guidelines..... | 9 |
| 7 | Regulatory Certification | 15 |
| 8 | Packaging, Handling and Storage, RoHS | 22 |
| 9 | Ordering Information | 25 |
| 10 | Revision History & Glossary..... | 26 |
| 11 | References | 27 |

Features

- Self-contained ultra-low power Wi-Fi module with microcontroller and secure TCP network stack.
- Integrated SPI-serial flash for software upgrades and user accessible read/write file system

Wi-Fi

- Broadcom single band 2.4GHz IEEE 802.11b/g/n 1x1 Wi-Fi transceiver
- Includes support for all Wi-Fi security modes including Open, WEP, WPA, and WPA2-PSK

Microprocessor

- ARM Cortex® M4 based microprocessor
- AMW006: operates up to 84MHz core frequency
- AMW106: operates up to 100MHz core frequency

RAM

- AMW006: 96 KB
- AMW106: 128 KB

Interfaces*

- UART: 2 x 4-wire up to 10.5Mbit/s
- SPI : SPI-Master (42Mbit/s), SPI-Slave (21Mbit/s)
- GPIO: Up to 21 GPIOs (overlaid with peripherals)
- A/D converter: 9 channel input, 12-bit resolution, 2.4MSPS sampling in single-shot or scan mode
- PWM: Up to 14 PWM outputs
- Wake-up: Wake pin for ultra-low power operation
- Two external antennas for diversity and improved range

**Some interfaces share module pins*

Operational & Radio

- Single operating voltage : 3.3V (typical)
- All I/O pins are +5V tolerant
- Operational Temperature Range: -30°C to +85°C
- Size : 20.3 x 15.2 x 2.7mm (0.80" x 0.60" x 0.11")
- Weight : 0.07 oz (2g)
- Current consumption @ 3.3V, 25°C
 - VBAT : 0.97µA (with 32k RTC)
 - Standby : 2.8µA (3.8uA with 32k RTC)
 - Stop : 10µA with RAM retention (113µs wake)
 - Wi-Fi Powersave : 0.77mA (DTIM = 3)
 - Active receive : 5.7mA @ 1Mbit/s UDP
- Active transmit : 11.4mA @ 1Mbit/s UDP
- Maximum RF transmit power
 - 802.11b/g : +18 dBm
 - 802.11n : +14 dBm
- Minimum Receive sensitivity
 - 802.11b/g : -94 dBm
 - 802.11n : -86 dBm
- Sustained TCP throughput : 10 Mbit/s

Applications

- Industrial, M2M and Home Automation
 - Environmental monitoring
 - Energy monitoring
 - Wireless sensing, remote data logging
 - HVAC, power, light, & thermostat control
 - Appliance control
- Security
 - Cameras, Doors/Window monitoring
 - Alarms, Smoke Detectors
 - Door and entry control
- Health & Fitness
 - Fitness Equipment
 - Home health monitoring e.g. weight scales
- Consumer
 - Audio, Toys, Robots

Contents

| | | | | | |
|-------|---|----|-------|--|----|
| 1 | General Description | 1 | 7.1.2 | RF Exposure | 16 |
| 2 | Block Diagram | 2 | 7.1.3 | Approved External Antenna Types 16 | |
| 3 | Electrical Specifications..... | 3 | 7.1.4 | Further Information | 16 |
| 3.1 | Absolute Maximum Ratings..... | 3 | 7.2 | Canada | 17 |
| 3.2 | Recommended Operating Conditions ... | 3 | 7.2.1 | Labeling and User Information Requirements..... | 17 |
| 3.2.1 | DC Operating Conditions..... | 3 | 7.2.2 | External Antenna Types..... | 18 |
| 3.2.2 | Environmental Conditions..... | 4 | 7.2.3 | Further Information | 18 |
| 3.3 | Power Consumption | 4 | 7.3 | Europe..... | 18 |
| 3.4 | 32kHz Crystal | 4 | 7.3.1 | Labeling and User Information Requirements..... | 19 |
| 4 | WLAN RF Specifications | 5 | 7.3.1 | External Antenna Requirements .. | 19 |
| 4.1 | Summary WLAN Specifications..... | 5 | 7.3.2 | Further Information | 19 |
| 4.2 | WLAN Receiver Specifications | 5 | 7.4 | Australia | 20 |
| 4.3 | WLAN Transmitter Specifications | 6 | 7.4.1 | External Antenna Requirements .. | 20 |
| 5 | Pinout and Signal Descriptions | 7 | 7.4.2 | Further Information | 20 |
| 5.1 | Pinout..... | 7 | 7.5 | New Zealand | 20 |
| 5.2 | Pin Description..... | 7 | 7.5.1 | External Antenna Requirements .. | 20 |
| 6 | Design Guidelines..... | 9 | 7.5.2 | Further Information | 21 |
| 6.1 | Recommended PCB Footprint | 9 | 7.6 | Japan | 21 |
| 6.2 | Routing Recommendations | 10 | 8 | Packaging, Handling and Storage, RoHS | 22 |
| 6.3 | Soldering Information..... | 11 | 8.1 | Packaging | 22 |
| 6.4 | Module Photograph..... | 12 | 8.2 | Handling & Storage | 22 |
| 6.5 | External Antennas..... | 12 | 8.3 | RoHS Directive | 22 |
| 6.5.1 | PCB Trace Antenna..... | 12 | 8.4 | Tape and Reel Specifications | 23 |
| 6.5.2 | Wire Antenna | 12 | 9 | Ordering Information | 25 |
| 1.1.1 | Chip Antenna..... | 12 | 10 | Revision History & Glossary..... | 26 |
| 6.5.3 | Monopole Antenna | 13 | 10.1 | Revision History | 26 |
| 6.6 | Application Examples..... | 14 | 10.2 | Glossary..... | 26 |
| 6.6.1 | Operation using ZentriOS..... | 14 | 11 | References | 27 |
| 7 | Regulatory Certification | 15 | | | |
| 7.1 | United States | 15 | | | |
| 7.1.1 | Labeling and User Information Requirements | 15 | | | |

1 General Description

The AMW006 and AMW106 modules from Zentri combine a microcontroller with a BCM43362 Wi-Fi device to provide an advanced stand-alone Wi-Fi and networking solution.

The term **AMWx06** refers to both modules.

An integrated module avoids difficult RF layout and enables designers to rapidly embed Wi-Fi and secure networking functionality into virtually any device.

The ZentriOS serial-to-Wi-Fi application, pre-programmed into all modules, may be used to fast-track module integration into end-products.

With dimensions of just 20.3mm x 15.2mm and a wide temperature range, the module is suitable for integration into most embedded applications.

The Wi-Fi device from Broadcom includes an integrated RF transmit power amplifier and provides superior Wi-Fi performance and full compatibility with all 2.4GHz 802.11b/g/n Wi-Fi networks. Connections for two external antennas provide applications with maximum radio range and mechanical design flexibility.

The microprocessor is based on a high-performance ARM® 32-bit Cortex™-M4.

The AMW006/AMW106 microcontroller core operates at a frequency up to 84/100MHz providing up to 125 DMIPS or 1.25 DMIPS/MHz (Dhrystone 2.1).

The AMW006 has 96KB of RAM.

The AMW106 has 128KB of RAM.

The AMWx06 module offers extensive I/O and peripheral interfaces listed below, and provides additional interface combinations by leveraging multiplexing and alternate function capabilities.

- 2 x 4-Wire UART interfaces
- 2 x SPI interfaces (1 master, 1 slave)
- 21 x GPIOs
- 9 x 12-bit A/D converters
- 14 x PWM outputs
- 1 x ultra-low power wake input

The module is powered by a 3.3V power supply, a separate WLAN power supply pin is provided to minimize noise coupling into the WLAN subsystem.

Various powersave modes offer ultra-low power operation. Wake from low power sleep mode is possible using IO pins or the internal real-time clock, and wake from ultra-low power standby mode is achieved using the dedicated wake pin.

The module incorporates a 32.768kHz crystal to maintain an accurate real time clock. A 32kHz clock output is available on a dedicated module pin in both active power save modes. The 32kHz clock output may be used to drive the clock input of other system devices. This avoids the need for an additional crystal thereby minimizing total system cost.

The module has FCC & IC modular approval for use in the United States and Canada, CE approval for use in Europe, TELEC/MIC approval for use in Japan and related approvals for use in other countries.

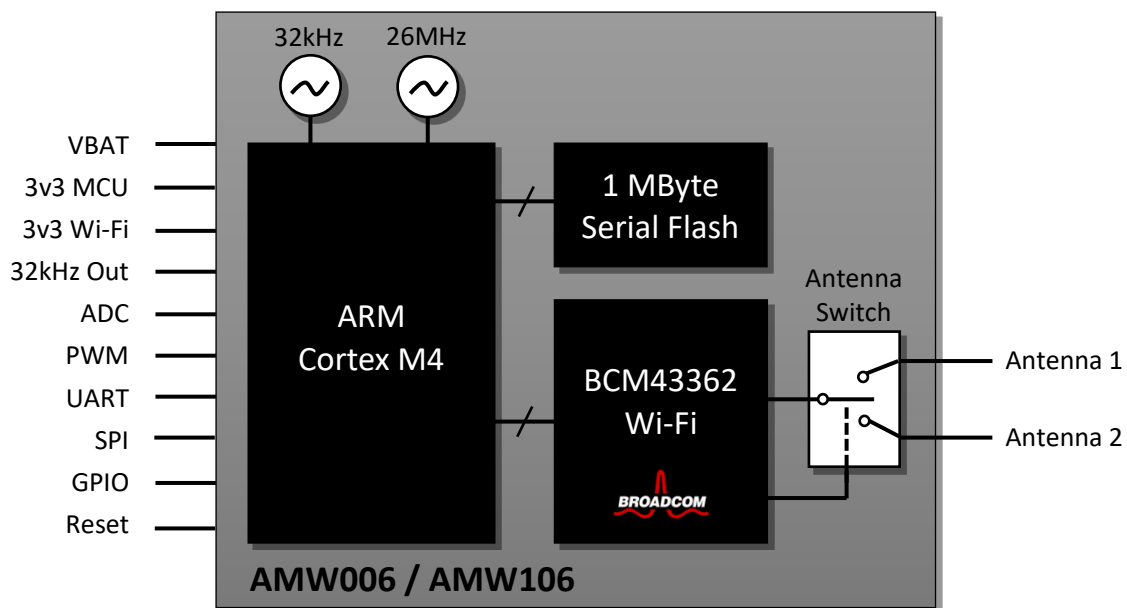
2 Block Diagram

Figure 1 is a block diagram of the AMWx06 module. The main components of the module are a microprocessor and BCM43362 Wi-Fi System-on-Chip (SoC). The processor and peripherals are driven by a 26MHz crystal. The integrated real-time clock (RTC) is driven by a 32.768kHz crystal. An on-board 1MByte serial flash chip may be used to store user data and configuration,

additional applications, and firmware images as part of the Zentri secure over the air (OTA) update process.

The WLAN subsystem is controlled by ZentriOS enabling the module to achieve minimum power consumption when the Wi-Fi networking interface is not required. The module includes an antenna diversity switch. The switch enables static or dynamic control of the external antenna(s).

Figure 1. AMW006 / AMW106 Architecture



3 Electrical Specifications

3.1 Absolute Maximum Ratings

CAUTION! The absolute maximum ratings in Table 1 and Table 2 indicate levels where permanent damage to the device can occur, even if these limits are exceeded for only a brief duration. Functional operation is not guaranteed under these conditions. Operation at absolute maximum conditions for extended periods can adversely affect long-term reliability of the device.

The values in Table 1 reflect absolute maximum ratings from the respective microprocessor and BCM43362 datasheets.

Table 1. Absolute Maximum Voltage Ratings

| Symbol | Ratings | Min | Max | Unit |
|------------------|---|-----------|---------------|------|
| V _{BAT} | External power supply voltage to MCU VBAT pin | -0.3 | 4.0 | V |
| VDD_3V3 | External power supply voltage to MCU subsystem | -0.3 | 4.0 | |
| VDD_WIFI | External power supply voltage to WLAN subsystem | -0.5 | 6.0 | |
| V _{in} | Input voltage on any other MCU pin | GND - 0.3 | VDD_3V3 + 4.0 | |

Table 2. Absolute Maximum Environmental Ratings

| Characteristic | Note | Min | Max | Unit |
|---------------------|--------------------------|-----|------|------|
| Storage Temperature | – | -40 | +125 | °C |
| Relative Humidity | Non-condensing (storage) | – | 65 | % |

3.2 Recommended Operating Conditions

Functional operation is not guaranteed outside the limits shown in Table 3 and Table 4, and operation outside these limits for extended periods can adversely affect long-term reliability of the device.

3.2.1 DC Operating Conditions

Table 3. Recommended DC Operating Conditions

| Symbol | Ratings | Min | Typ | Max | Unit |
|-------------------------|---|-----|-----|-----|------|
| V _{BAT} | External power supply voltage to MCU VBAT pin | 3.0 | 3.3 | 3.6 | V |
| VDD_3V3 ¹ | External power supply voltage to MCU subsystem | 3.0 | 3.3 | 3.6 | |
| VDD_WIFI ^{1,2} | External power supply voltage to WLAN subsystem | 3.0 | 3.3 | 3.6 | |

Notes:

1. VDD_3V3 and VDD_WIFI must be at the same voltage when using the Wi-Fi subsystem
2. The performance of the Wi-Fi subsystem is degraded significantly at low voltages

3.2.2 Environmental Conditions

Table 4. Recommended Environmental Conditions

| Characteristic | Note | Min | Max | Unit |
|---------------------|------------------------------------|-----|-----|------|
| Ambient Temperature | Limited by WLAN chip specification | -30 | +85 | °C |
| Relative Humidity | Non-condensing (operating) | – | 85 | % |

3.3 Power Consumption

Table 5. Power consumption (VDD_3V3, VDD_WIFI, VBAT @ 3.3V)

| Operational State | Note | Typ ¹ | Max ¹ | Max ¹ | Unit |
|----------------------------------|---|------------------|-----------------------|-----------------------|------|
| | | | T _A = 25°C | T _A = 85°C | |
| VBAT ⁷ | MCU VBAT Mode, RTC on, Wi-Fi powered off | 0.97 | – | 3.0 | µA |
| Standby ⁷ | MCU Standby Mode, RTC on, Wi-Fi powered off | 3.8 | 5.0 | 17.0 | µA |
| Stop ^{3, 7} | MCU Stop Mode, Wi-Fi powered off | 10 | 28 | 230 | µA |
| Wi-Fi Powersave ^{2,3} | MCU Stop mode, Wi-Fi in powersave | 0.77 | – | – | mA |
| Active Receive ^{2,3,4} | MCU Stop mode, Wi-Fi active receive | 5.7 | – | – | mA |
| Active Transmit ^{2,3,5} | MCU Stop mode, Wi-Fi active transmit | 11.4 | – | – | mA |
| Wi-Fi Tx Test Mode ⁶ | MCU Stop mode, Wi-Fi active transmit | – | 320 | – | mA |

Notes:

1. Total combined current consumed by all power supplies: VBAT, VDD_3V3, VDD_WIFI.
2. 802.11 beacon Interval = 102.4ms, DTIM=3, Beacon Duration = 1ms @ 1Mbps.
3. MCU Stop Mode with 113µs wakeup latency (flash in deep power down mode), VDD_WIFI = 0V
4. Average current receiving 1Mbit/s UDP at 802.11n MCS7
5. Average current transmitting 1Mbit/s UDP at 802.11n MCS7
6. Wi-Fi Transmitting at +18dBm CCK 11Mbit/s with maximum duty cycle
7. Hardware capability; minimum power consumption is dependent on ZentriOS version and external components connected to AMWx06 pins

3.4 32kHz Crystal

Table 6. 32kHz Crystal Specifications¹

| Operational State | Note | Min | Typical | Max | Unit |
|---------------------|---------------------|-----|---------|-----|------|
| Frequency | | – | 32768 | – | Hz |
| Frequency Tolerance | | – | 20 | – | ppm |
| Frequency Ageing | Measured @25°C ±3°C | -3 | – | +3 | ppm |

Notes:

1. Reproduced from manufacturer's datasheet.

4 WLAN RF Specifications

The AMWx06 WLAN radio specifications are derived from the Broadcom BCM43362 WLAN radio specifications.

Unless otherwise stated, the specifications in this section apply when the operating conditions are within the limits specified in Section 3.2, Recommended Operating Conditions. Functional operation outside these limits is not guaranteed.

All specifications are measured by connecting directly to either of the antenna ports via a short PCB trace with the other antenna port terminated in 50 ohms.

4.1 Summary WLAN Specifications

Table 7. Summary WLAN Specifications

| Feature Supported | Description |
|-----------------------------------|---|
| WLAN Standard | IEEE 802.11b/g/n 1x1 SISO |
| Frequency Band | 2.400 GHz – 2.484 GHz |
| WLAN Channels | Channels 1 – 13 |
| Data Rates | 802.11b (1, 2, 5.5, 11 Mbps) 802.11g (6, 9, 12, 24, 36, 48, 54 Mbps) 802.11n (HT20 MCS0-MCS7) |
| Maximum Receive level @ 2.4GHz | -2.5 dBm @ 1, 2 Mbps (8% PER, 1024 octets) -8.5 dBm @ 5.5, 11 Mbps (8% PER, 1024 Octets) -12 dBm @ 6-54 Mbps (10% PER, 1000 Octets) |
| Maximum RF Tx Output Power | +18 dBm @ 802.11b (EVM < -9 dB) +14 dBm @ 802.11n MCS7 (EVM < -28 dB) |
| Carrier Frequency Accuracy | ±20 ppm (26MHz crystal with ±10 ppm @ 25C) |

4.2 WLAN Receiver Specifications

Table 8. WLAN Receiver Performance Specifications

| Parameter | Condition/Notes | Min | Typical | Max | Unit |
|--|-----------------|------|---------|------|------|
| Frequency Range | – | 2400 | – | 2500 | MHz |
| Operating Temperature ¹ | – | -30 | – | +85 | °C |
| Receive Sensitivity ² (8% PER for 1024 octet PSDU) at either antenna port ³ | 1 Mbps DSSS | – | -94 | -91 | dBm |
| | 11 Mbps CCK | – | -87 | -83 | |
| Receive Sensitivity ² (10% PER for 1000 octet PSDU) at either antenna port ³ | 6 Mbps OFDM | – | -86 | -81 | dBm |
| | 54 Mbps OFDM | – | -73 | -69 | |

| Parameter | Condition/Notes | Min | Typical | Max | Unit |
|---|--------------------------------------|-------|---------|-----|------|
| Receive Sensitivity ² (10% PER for 4096 octet PSDU) at either antenna port ³ . Defined for default parameters: GF, 800ns GI, and non-STBC | 65 Mbps MCS0, HT20 | - | -86 | -81 | dBm |
| | 65 Mbps MCS7, HT20 | - | -70 | -65 | |
| Max. Receive Level @ 2.4GHz | @ 1, 2 Mbps (8% PER, 1024 octets) | -2 | - | - | dBm |
| | @ 5.5, 11 Mbps (8% PER, 1024 Octets) | -8 | - | - | |
| | @ 6-54 Mbps (10% PER, 1000 Octets) | -11.5 | - | - | |

Notes:

1. Operation below -20°C and above +65°C with parameter derating per Note 2
2. Derate receive sensitivity by 1.5dB for operation between temperatures of -30°C to -20°C and 65°C to 85°C
3. All measurements performed with the other antenna port terminated in 50 ohms

4.3 WLAN Transmitter Specifications

Table 9. WLAN Transmitter Performance Specifications

| Parameter | Condition/Notes | Min | Typical | Max | Unit | |
|--|------------------------------|--------|---------|------|------|-----|
| Frequency Range | - | 2400 | - | 2500 | MHz | |
| Operating Temperature ¹ | - | -30 | - | +85 | °C | |
| Transmit power ² measured at either antenna port ³ for highest power level setting at 25°C, VDD-3V3_RF_IN=3.3V with spectral mask and EVM compliance | EVM does NOT exceed : | | | | | |
| | 1 Mbps DSSS | -11 dB | +14 | +16 | +18 | dBm |
| | 11 Mbps CCK | -11 dB | +14 | +16 | +18 | |
| | 6 Mbps OFDM | -22 dB | +12 | +14 | +16 | |
| | 54 Mbps OFDM | -25 dB | +12 | +14 | +16 | |
| | MCS0, HT20 | -22 dB | +10 | +12 | +14 | |
| | MCS7, HT20 | -28 dB | +10 | +12 | +14 | |

Notes:

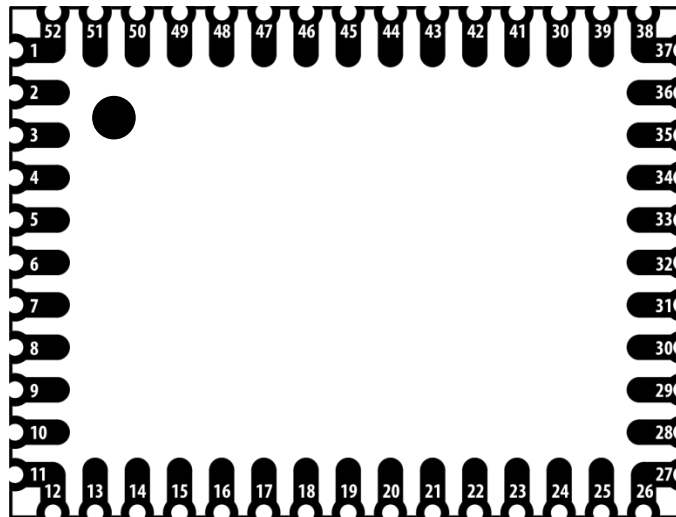
1. Operation below -20°C and above +65°C with parameter derating per Note 2
2. Derate transmit power by 1.5dB for operation between temperatures of -30°C to -20°C and 65°C to 85°C
3. All measurements performed with the other antenna port terminated in 50 ohms

5 Pinout and Signal Descriptions

5.1 Pinout

A top view of the AMWx06 pinout is depicted in Figure 2. All dimensions are in thousands of an inch. A recommended footprint is provided in Section 6.1.

Figure 2. AMWx06 Pinout (TOP View – Pins NOT visible from top!)



5.2 Pin Description

Table 10. AMWx06 ZentriOS Pin Definitions

| Pin | Name | Type ¹ | Primary Function | Alternate & Other Function(s) |
|-------|-------------|-------------------|----------------------------|-------------------------------|
| 1-2 | GND | S | Ground | - |
| 3 | VBAT | S | VBAT MCU supply | - |
| 4 | GPIO_0 | I/O | Factory Reset ² | SPI1_MISO (S), GPIO |
| 5 | GPIO_1 | I/O | GPIO | - |
| 6 | GPIO_2 | I/O | GPIO | SPI1_SCK (S) |
| 7 | GPIO_3 | I/O | GPIO | SPI1_CS (S) |
| 8 | GPIO_4 | I/O | GPIO | - |
| 9 | OSC_32K_OUT | O | OSC_32K_OUT | - |
| 10 | VDD_3V3 | I/O | 3.3V MCU supply | |
| 11-12 | GND | S | Ground | - |
| 13 | GPIO_5 | I/O | GPIO | SPI1_MOSI (slave), PWM5 |

| Pin | Name | Type ¹ | Primary Function | Alternate & Other Function(s) |
|-------|-----------|-------------------|----------------------------|---|
| 14 | GPIO_6 | I/O | SPIO_MISO (M) ⁵ | ADC6 (when SPI not in use). Not available for digital I/O. |
| 15 | GPIO_7 | I/O | SPIO_SCK (M) ⁵ | ADC5 (when SPI not in use). Not available for digital I/O. |
| 16 | GPIO_8 | I/O | SPIO_MOSI (M) ⁵ | ADC7 (when SPI not in use). Not available for digital I/O. |
| 17 | GPIO_9 | I/O | GPIO | UART0_RTS |
| 18 | GPIO_10 | I/O | GPIO | UART0_CTS, PWM0 |
| 19 | GPIO_11 | I/O | UART0_RX | GPIO, PWM0 |
| 20 | GPIO_12 | I/O | UART0_TX | GPIO, PWM0 |
| 21 | GPIO_13 | I/O | GPIO | PWM1 |
| 22 | GPIO_14 | I/O | GPIO | PWM3 |
| 23 | GPIO_15 | I/O | GPIO | PWM3 |
| 24 | GPIO_16 | I/O | GPIO | PWM6 |
| 25 | GPIO_17 | I/O | GPIO | UART1_RX, ADC3, PWM4 |
| 26-27 | GND | I/O | Ground | - |
| 28 | GPIO_18 | I/O | GPIO | - |
| 29 | GPIO_19 | I/O | GPIO | UART1_TX, ADC2, PWM4 |
| 30 | GPIO_20 | I/O | GPIO | ADC9, PWM2 |
| 31 | GPIO_21 | I/O | GPIO | ADC8, PWM2 |
| 32 | GPIO_22 | I/O | GPIO | UART1_CTS, WAKE, ADC0, PWM1 |
| 33 | GPIO_23 | I/O | GPIO | UART1_RTS, ADC1, PWM4 |
| 34 | RESET_N | I | System Reset ⁴ | |
| 35 | VDD_WIFI | S | 3.3V WLAN supply | - |
| 36-42 | GND | S | Ground | - |
| 43 | ANTENNA_1 | O | Wi-Fi Antenna ³ | - |
| 44-46 | GND | S | Ground | - |
| 47 | ANTENNA_2 | O | Wi-Fi Antenna ³ | - |
| 48-52 | GND | S | Ground | - |

Notes:

1. I = Input, O = Output, S = Supply
2. Factory reset is sampled at power-on-reset and available for other purposes thereafter.
3. Wi-Fi Antenna pins are AC-coupled and have a nominal 50 ohms output impedance.

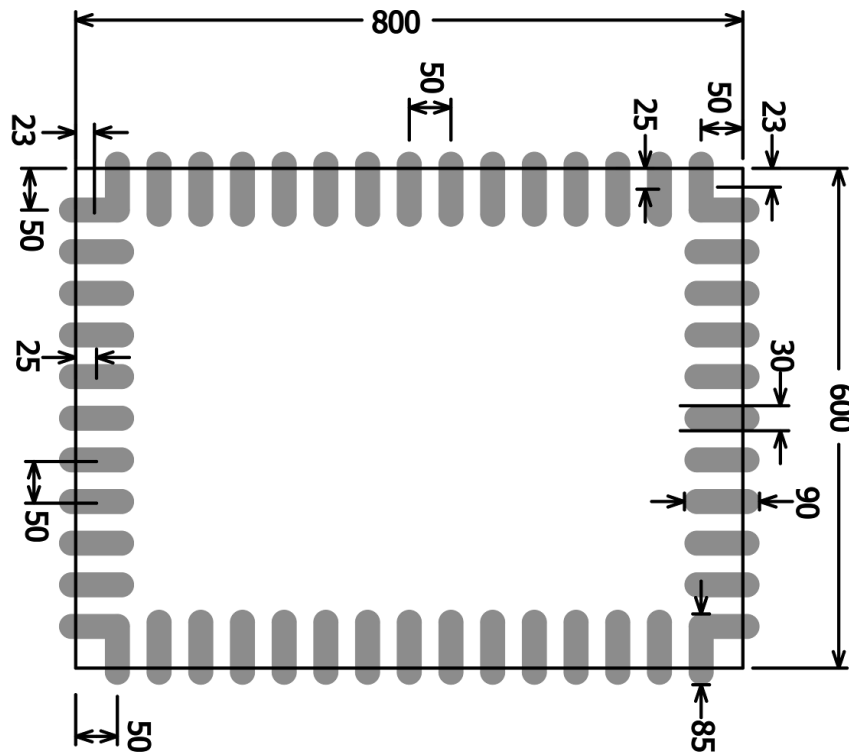
4. The module Reset pin is connected to the internal MCU via a 1k resistor.
We recommend driving the pin. If the pin is not driven, connect a 0.1uF capacitor to ground close to the pin to bypass noise which may cause unintended reset.
5. Connected to SPI serial flash inside the module.

6 Design Guidelines

6.1 Recommended PCB Footprint

All dimensions in Figure 3 are in thousands of an inch unless otherwise marked.

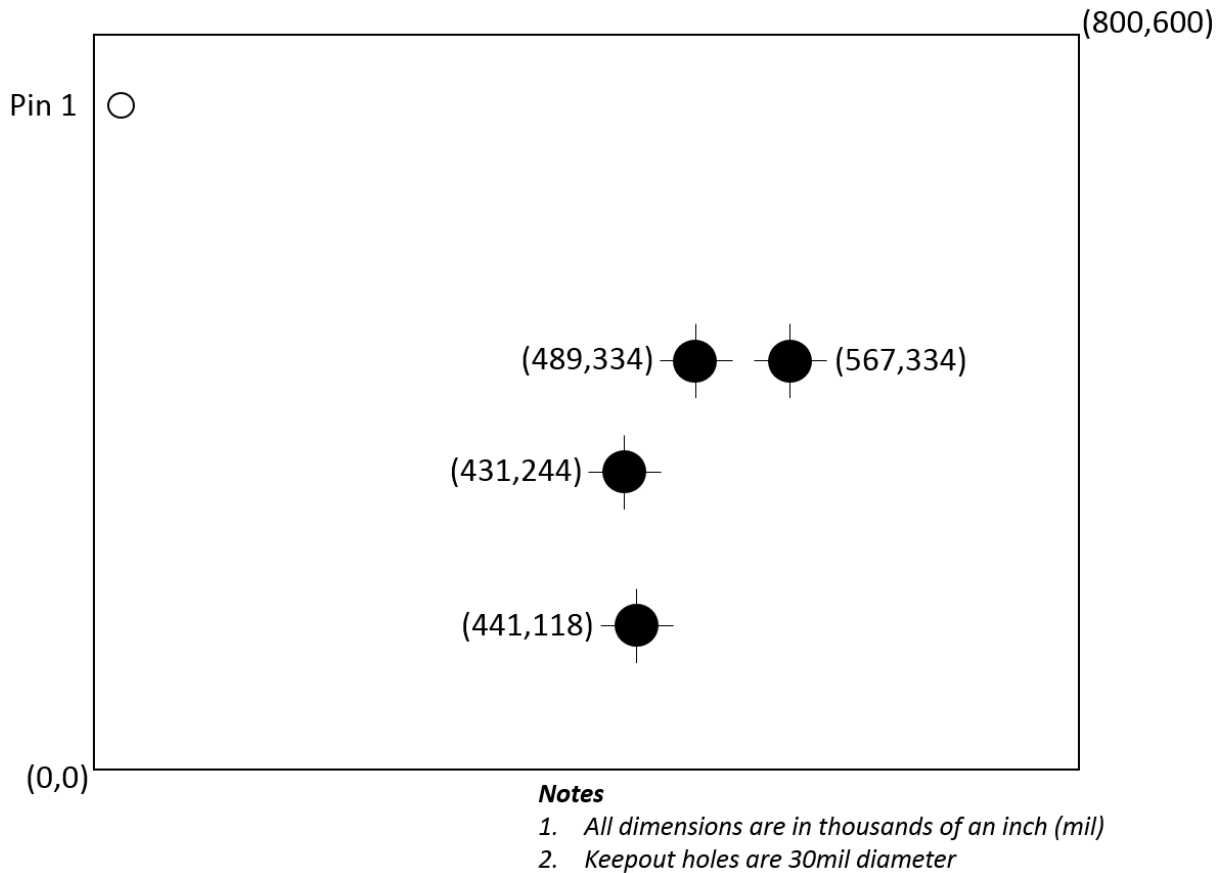
Figure 3. AMWx06 Recommended Footprint (Top)



6.2 Routing Recommendations

When designing a carrier board, the addition of ground fill directly underneath the AMWx06 module, rather than signal or power traces, is recommended. If traces must be routed directly beneath the module, avoid routing directly underneath keepout areas shown in Figure 4 (ground fill is ok). All ground pads adjacent to antenna pins must be connected to a solid ground plane. Failure to comply with these recommendations may result in degraded performance of WLAN functionality.

Figure 4. AMWx06 Keepouts (TOP VIEW)



6.3 Soldering Information

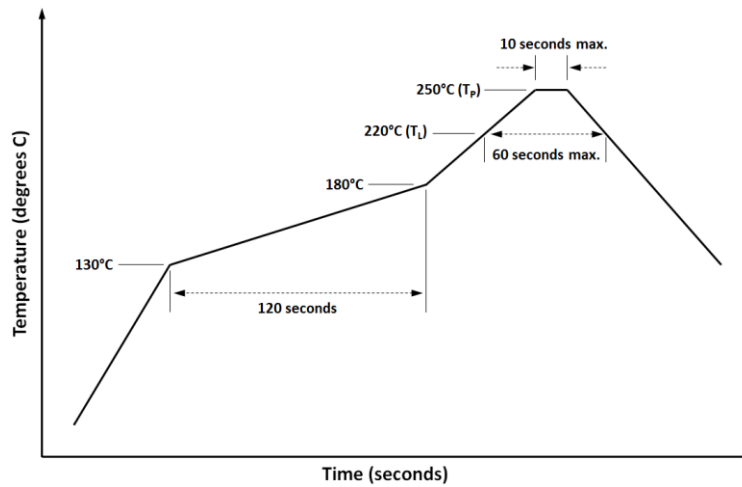


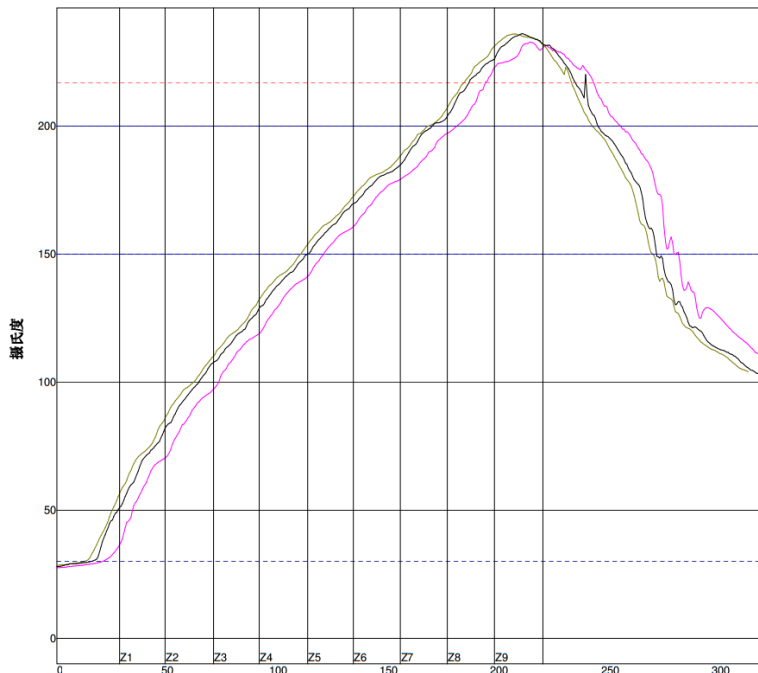
Figure 5 - Recommended solder reflow profile

Oven Name: HELLER

Process Window Name: ALPHA_OM325

| Setpoints (摄氏度) | | | | | | | | | |
|-----------------|-----|-----|-----|-----|-----|-----|-----|-----|-----|
| Zone | 1 | 2 | 3 | 4 | 5 | 6 | 7 | 8 | 9 |
| Top | 100 | 120 | 140 | 160 | 180 | 200 | 235 | 255 | 250 |
| Bottom | 100 | 120 | 140 | 160 | 180 | 200 | 235 | 255 | 250 |

Conveyor Speed (cm/min): 70.0



| | PWI= 87% | Max Rising Slope | Max Falling Slope | Preheat | 30-150C | Soak Time 150-200C | Reflow Time /217C | Peak Temp | | | | |
|-------|----------|------------------|-------------------|---------|---------|--------------------|-------------------|-----------|-------|------|--------|------|
| <TC2> | 1.64 | 9% | -4.74 | -87% | 99.98 | 50% | 60.17 | -71% | 48.88 | -37% | 232.83 | -77% |
| <TC4> | 1.62 | 8% | -3.27 | -14% | 98.09 | 45% | 57.87 | -78% | 48.45 | -39% | 235.95 | -52% |
| <TC5> | 1.65 | 10% | -3.43 | -22% | 98.04 | 45% | 56.43 | -82% | 48.08 | -40% | 236.06 | -52% |
| Delta | 0.03 | | 1.47 | | 1.94 | | 3.74 | | 0.80 | | 3.23 | |

Figure 6 - Example solder reflow profile (AMW006-E03 evaluation board)

Note: Zentri recommends a “No-Clean” soldering process to avoid getting contaminants under the shield cans.

6.4 Module Photograph

Figure 7. AMW006 Photograph (Top)



6.5 External Antennas

The AMWx06 module supports two external antennas and per-packet antenna diversity to achieve maximum range. Antenna selection is available by setting ZentriOS variables.

NOTE! BOTH antenna ports must be terminated in 50 ohms. If a single antenna is used, the other antenna port should be terminated with a 50 ohm load. Failure to terminate both antenna ports may result in degraded radio performance.

Table 11 - Tested External Antenna Types

| Model | Type ¹ | Gain (dBi) |
|------------------------------|-------------------|------------|
| Printed antenna | PCB trace | 3.2 |
| Wire | Monopole | 2.1 |
| Johanson Tech. 2450AT42A100E | Chip | 0.0 |
| ACA-1SRPP-2400 | Monopole | 0.6 |
| ACA-4HSRPP-2458 | Monopole | 1.0 |

(1) An antenna type comprises antennas having similar in-band and out-of-band radiation patterns.

6.5.1 PCB Trace Antenna

This 2.4 GHz PCB antenna can fit in an area smaller than 21mm x 10mm, and as small as 15mm x 6mm. To achieve optimum performance, make an exact copy of this reference design.

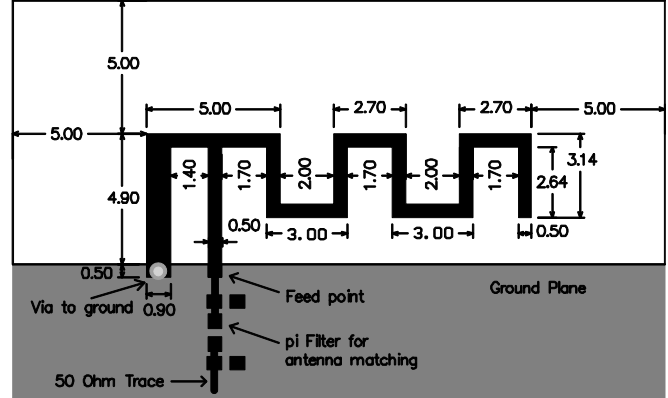
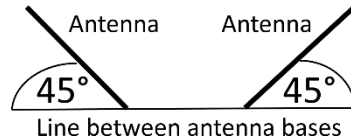


Figure 8 - Trace Antenna (dimensions in mm)

6.5.2 Wire Antenna

A suitable wire antenna is an 18-gauge wire with a length of 25.4mm ± 2mm. The wire antennas should be perpendicular to each other, and at 45 degrees to the line between the antenna bases.



NOTE! Do **NOT** bend antennas backwards over the module; doing so will cause poor performance and may cause undesirable out-of-band radio transmissions.



Figure 9 - AMW006-E03 eval board with wire antennas

1.1.1 Chip Antenna

The AMWx06 is certified for use with a chip antenna from Johanson, part number 2450AT42A100E. Be sure

to follow the antenna layout design guidelines in the antenna datasheet.

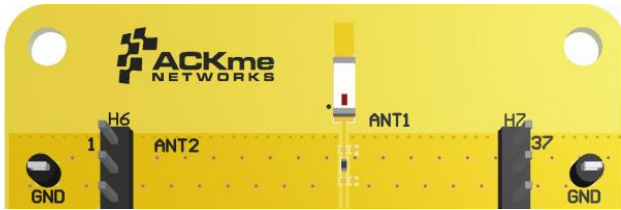


Figure 10 – Chip antenna layout example

6.5.3 Monopole Antenna

A u.FL connector layout such as the one shown below can be used to connect the whip antenna(s).

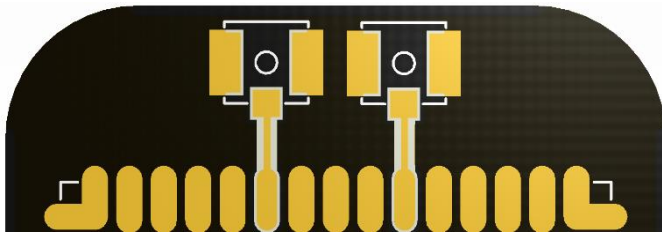


Figure 11 - u.FL connector layout

Suitable monopole antennas include the [ACA_1SSRPP_2400](http://ack.me) and [ACA_4HSRPP_2458](http://ack.me), both of which are available online at <http://ack.me>.



Figure 12 - ACA-1SSRPP-2400



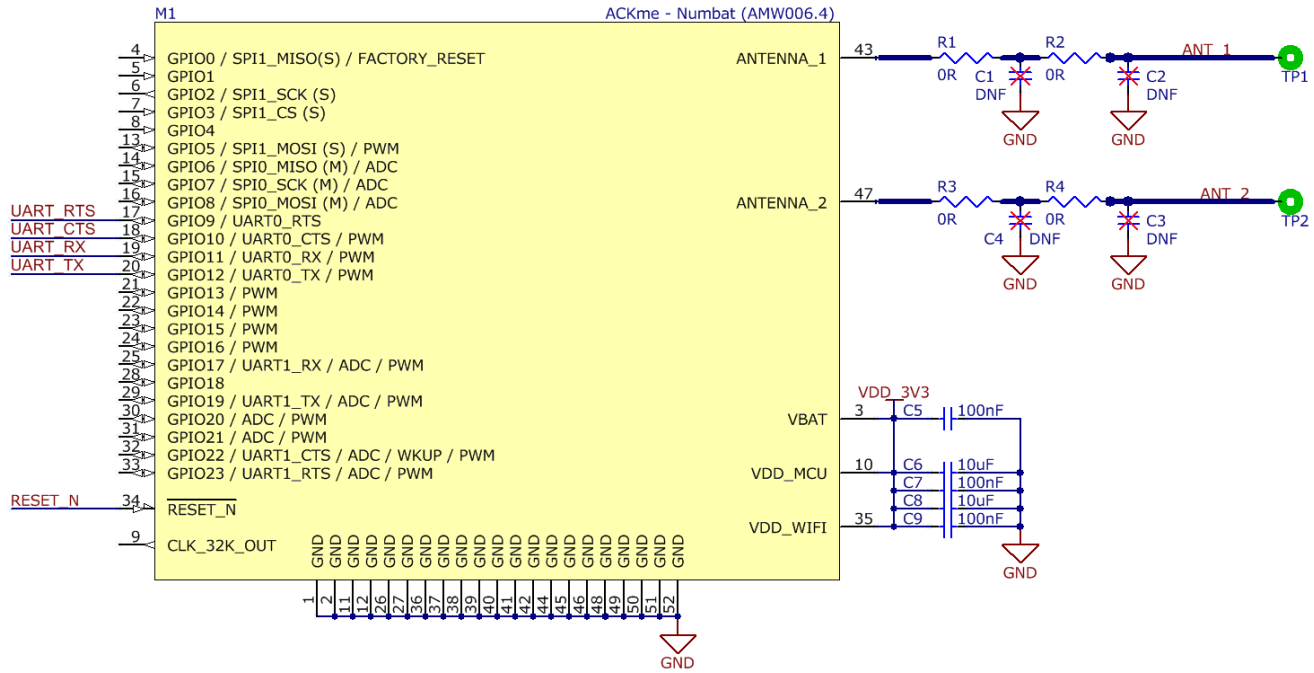
Figure 13 - ACA-4HSRPP-2458

6.6 Application Examples

6.6.1 Operation using ZentriOS

To use ZentriOS, the module only requires an external connection to power and a UART serial interface. A host processor connects to UART0 (pins 19/20) or UART1 (pins 25/29) as shown in Figure 14.

Figure 14. Using the AMW006 Module with ZentriOS and a UART serial interface



7 Regulatory Certification

The AMW006 module has been certified for operation in various regulatory domains. This section outlines certification information specific to the following countries and regions:

- United States
- Canada
- Europe
- Australia
- New Zealand
- Japan

Should you require regulatory certification for the AMW006 module in a country or region not listed, please contact your local Zentri sales office or create a support request via our website at <http://ack.me/contact>.

7.1 United States

The Zentri AMW006 module has received Federal Communications Commission (FCC) CFR47 Telecommunications, Part 15 Sub-part C “Intentional Radiators” modular approval in accordance with Part 15.212 Modular Transmitter approval. Modular approval allows the end user to integrate the AMW006 module into a finished product without obtaining subsequent and separate FCC approvals for intentional radiation, provided no changes or modifications are made to the module circuitry. Changes or modifications could void the user’s authority to operate the equipment. The end user must comply with all of the instructions provided by the Grantee which indicate installation and/or operating conditions necessary for compliance.

The finished product is required to comply with all applicable FCC equipment authorization, regulations, requirements, and equipment functions not associated with the transmitter module portion. For example, compliance must be demonstrated to regulations for other transmitter components within the host product; to requirements for unintentional radiators (Part 15 Sub-part B “Unintentional Radiators”), such as digital devices, computer peripherals, radio receivers, etc.; and to additional authorization requirements for non-transmitter functions on the transmitter module (i.e. Verification, or Declaration of Conformity) (e.g.,

transmitter modules may also contain digital logic functions) as appropriate.

7.1.1 Labeling and User Information Requirements

The AMW006 module has been labelled with a unique FCC ID number, and if the FCC ID is not visible when the module is installed inside another device, then the outside of the finished product into which the module is installed must also display a label referring to the enclosed module. This exterior label can use wording as follows:

Contains FCC ID: 2ABPY-B5BD9
 This device complies with Part 15 of the FCC Rules.
 Operation is subject to the following two conditions:
 (1) this device may not cause harmful interference,
 and (2) this device must accept any interference
 received, including interference that may cause
 undesired operation.

The user manual for the product should include the following statement:

This equipment has been tested and found to comply with the limits for a Class B digital device, pursuant to part 15 of the FCC Rules. These limits are designed to provide reasonable protection against harmful interference in a residential installation. This equipment generates, uses and can radiate radio frequency energy and if not installed and used in accordance with the instructions, may cause harmful interference to radio communications. However, there is no guarantee that interference will not occur in a particular installation. If this equipment does cause harmful interference to radio or television reception, which can be determined by turning the equipment off and on, the user is encouraged to try to correct the interference by one or more of the following measures:

- Reorient or relocate the receiving antenna.
- Increase the separation between the equipment and receiver.
- Connect the equipment into an outlet on a circuit different from that to which the receiver is connected.
- Consult the dealer or an experienced radio/TV technician for help.

Additional information on labeling and user information requirements for Part 15 devices can be found in KDB Publication 784748 available at the FCC Office of Engineering and Technology (OET) Laboratory Division Knowledge Database (KDB) at the following website:

<https://apps.fcc.gov/oetcf/kdb/index.cfm>

7.1.2 RF Exposure

All transmitters regulated by FCC must comply with RF exposure requirements. OET Bulletin 65, Evaluating Compliance with FCC Guidelines for Human Exposure to Radio Frequency Electromagnetic Fields, provides assistance in determining whether proposed or existing transmitting facilities, operations or devices comply with limits for human exposure to Radio Frequency (RF) fields adopted by the Federal Communications Commission (FCC). The bulletin offers guidelines and suggestions for evaluating compliance.

If appropriate, compliance with exposure guidelines for mobile and unlicensed devices can be accomplished by

the use of warning labels and by providing users with information concerning minimum separation distances from transmitting structures and proper installation of antennas.

The following statement must be included as a CAUTION statement in manuals and OEM products to alert users of FCC RF exposure compliance:

To satisfy FCC RF Exposure requirements for mobile and base station transmission devices, a separation distance of 20 cm or more should be maintained between the antenna of this device and persons during operation. To ensure compliance, operation at closer than this distance is not recommended. The antenna(s) used for this transmitter must not be co-located or operating in conjunction with any other antenna or transmitter

If the AMW006 module is used in a portable application (i.e., the antenna is less than 20 cm from persons during operation), the integrator is responsible for performing Specific Absorption Rate (SAR) testing in accordance with FCC rules 2.1091.

7.1.3 Approved External Antenna Types

Modular approval testing of the AMW006 was performed with the antenna types listed in Table 11 - Tested External Antenna Types.

To maintain modular approval in the United States, only the tested antenna types shall be used. It is permissible to use different antenna manufacturers provided the antenna types match: in-band and out-of-band radiation patterns and antenna gain must be similar to those tested.

7.1.4 Further Information

Additional information regarding FCC certification and use of the AMW006 module in the United States is available from the following sources.

- Federal Communications Commission (FCC)
<http://www.fcc.gov.au>
- FCC Office of Engineering and Technology (OET) Laboratory Division Knowledge Database (KDB)
<http://apps.fcc.gov/oetcf/kdb/index.cfm>

7.2 Canada

The AMW006 module has been certified for use in Canada under Industry Canada (IC) Radio Standards Specification (RSS) RSS-210 and RSSGen. Modular approval permits the installation of a module in a host device without the need to recertify the device.

7.2.1 Labeling and User Information Requirements

Labeling Requirements for the Host Device (from Section 3.2.1, RSS-Gen, Issue 3, December 2010): The host device shall be properly labeled to identify the module within the host device.

The Industry Canada certification label of a module shall be clearly visible at all times when installed in the host device, otherwise the host device must be labeled to display the Industry Canada certification number of the module, preceded by the words “Contains transmitter module”, or the word “Contains”, or similar wording expressing the same meaning, as follows:

Contains transmitter module IC: 11685A-61F8D

User Manual Notice for License-Exempt Radio Apparatus (from Section 7.1.3 RSS-Gen, Issue 3, December 2010): User manuals for license-exempt radio apparatus shall contain the following or equivalent notice in a conspicuous location in the user manual or alternatively on the device or both:

This device complies with Industry Canada license-exempt RSS standard(s). Operation is subject to the following two conditions: (1) this device may not cause interference, and (2) this device must accept any interference, including interference that may cause undesired operation of the device.

Le présent appareil est conforme aux CNR d'Industrie Canada applicables aux appareils radio exempts de licence. L'exploitation est autorisée aux deux conditions suivantes: (1) l'appareil ne doit pas produire de brouillage, et (2) l'utilisateur de l'appareil doit accepter tout brouillage radioélectrique subi, même si le brouillage est susceptible d'en compromettre le fonctionnement.

Transmitter Antenna Notification (from Section 7.1.2 RSS-Gen, Issue 3, December 2010): User manuals for transmitters shall display the following notice in a conspicuous location:

Under Industry Canada regulations, this radio transmitter may only operate using an antenna of a type and maximum (or lesser) gain approved for the transmitter by Industry Canada. To reduce potential radio interference to other users, the antenna type and its gain should be so chosen that the equivalent isotropically radiated power (EIRP) is not more than that necessary for successful communication.

Conformément à la réglementation d'Industrie Canada, le présent émetteur radio peut fonctionner avec une antenne d'un type et d'un gain maximal (ou inférieur) approuvé pour l'émetteur par Industrie Canada. Dans le but de réduire les risques de brouillage radioélectrique à l'intention des autres utilisateurs, il faut choisir le type d'antenne et son gain de sorte que la puissance isotrope rayonnée équivalente (p.i.r.e.) ne dépasse pas l'intensité nécessaire à l'établissement d'une communication satisfaisante.

The above notice may be affixed to the device instead of displayed in the user manual.

User manuals for transmitters equipped with detachable antennas shall also contain the following notice in a conspicuous location:

This radio transmitter (identify the device by certification number, or model number if Category II) has been approved by Industry Canada to operate with the antenna types listed below with the maximum permissible gain and required antenna impedance for each antenna type indicated. Antenna types not included in this list, having a gain greater than the maximum gain indicated for that type, are strictly prohibited for use with this device.

Le présent émetteur radio (identifier le dispositif par son numéro de certification ou son numéro de modèle s'il fait partie du matériel de catégorie I) a été approuvé par Industrie Canada pour fonctionner avec les types d'antenne énumérés ci-dessous et ayant un gain admissible maximal et l'impédance requise pour chaque type d'antenne. Les types d'antenne non inclus dans cette liste, ou dont le gain est supérieur au gain maximal indiqué, sont strictement interdits pour l'exploitation de l'émetteur.

Immediately following the above notice, the manufacturer shall provide a list of all antenna types approved for use with the transmitter, indicating the maximum permissible antenna gain (in dBi) and required impedance for each.

7.2.2 External Antenna Types

Modular approval testing of the AMW006 was performed with the antenna types listed in Table 11 - Tested External Antenna Types.

Transmitter Antenna (from Section 7.1.2 RSS-Gen, Issue 3, December 2010):

The AMW006 module can only be sold or operated with antennas with which it was approved. Transmitter may be approved with multiple antenna types. An antenna type comprises antennas having similar in-band and out-of-band radiation patterns. Testing shall be performed using the highest gain antenna of each combination of transmitter and antenna type for which approval is being sought, with the transmitter output

power set at the maximum level. Any antenna of the same type having equal or lesser gain as an antenna that had been successfully tested with the transmitter, will also be considered approved with the transmitter, and may be used and marketed with the transmitter.

When a measurement at the antenna connector is used to determine RF output power, the effective gain of the device's antenna shall be stated, based on measurement or on data from the antenna manufacturer.

For transmitters of output power greater than 10 milliwatts, the total antenna gain shall be added to the measured RF output power to demonstrate compliance to the specified radiated power limits.

7.2.3 Further Information

Additional information may be obtained from the Industry Canada website at <http://www.ic.gc.ca>

7.3 Europe

The AMW006 module is an R&TTE Directive assessed radio module that is CE marked and has been manufactured and tested with the intention of being integrated into a final product.

The AMW006 module has been tested to R&TTE Directives as summarized in Table 12. European Compliance Testing. Opinion has also been issued. All AMW006 test reports are available on the Zentri website at <https://www.zentri.com/contact-us>.

The R&TTE Compliance Association provides guidance on modular devices in the document titled Technical Guidance Note 01 available on the website at http://www.rtteca.com/html/download_area.htm.

NOTE: To maintain conformance to the testing listed in Table 12. European Compliance Testing, the module shall be installed in accordance with the installation instructions in this data sheet and shall not be modified.

When integrating a radio module into a completed product the integrator becomes the manufacturer of the final product and is therefore responsible for demonstrating compliance of the final product with the essential requirements of the R&TTE Directive.

7.3.1 Labeling and User Information Requirements

The label on the final product which contains the AMW006 module must follow CE marking requirements. The R&TTE Compliance Association Technical Guidance Note 01 provides guidance on final product CE marking

7.3.1 External Antenna Requirements

From R&TTE Compliance Association document Technical Guidance Note 01:

Provided the integrator installing an assessed radio module with an integral or specific antenna and installed in conformance with the radio module manufacturer's installation instructions requires no further evaluation under Article 3.2 of the R&TTE Directive and does not require further involvement of an R&TTE Directive Notified Body for the final product. [Section 2.2.4]

The European Compliance Testing listed in Table 12. European Compliance Testing was performed using antenna types listed in Table 11 - Tested External Antenna Types.

7.3.2 Further Information

A document that can be used as a starting point in understanding the use of Short Range Devices (SRD) in Europe is the European Radio Communications Committee (ERC) Recommendation 70-03 E, which can be downloaded from the European Radio Communications Office (ERO) at: <http://www.ero.dk>.

Further information may be obtained from the following websites:

- Radio and Telecommunications Terminal Equipment (R&TTE)
http://ec.europa.eu/enterprise/rtte/index_en.htm
- European Conference of Postal and Telecommunications Administrations (CEPT)
<http://www.cept.org>
- European Telecommunications Standards Institute (ETSI)
<http://www.etsi.org>
- European Radio Communications Office (ERO)
<http://www.ero.dk>

The Radio and Telecommunications Terminal Equipment Compliance Association (R&TTE CA)
<http://www.rtteca.com/>

Table 12. European Compliance Testing

| Certification | Standard | Report Number | Date | Laboratory |
|-----------------------|---|------------------|--------------|---|
| Safety | EN 60950-1:2006, A11:2009, A1:2010, A12:2011, A2:2013 | W6M21410-14584-L | Jan 15, 2015 | Worldwide Testing Services (Taiwan) Co., Ltd. |
| EMF | EN 62311:2008 | EA560122 | Jul 1, 2015 | Sporton International, Inc. (Taiwan) |
| EMC | EN 301 489-1 v1.9.2 (2011-09), Class B EN 301 489-17 v2.2.1 (2012-09) EN 55022:2010/AC:2011, Class B EN 55024:2010 | EH560122 | Jul 1, 2015 | |
| Radio | EN 300 328 v1.9.1 (2015-02) | ER560122 | Jul 1, 2015 | |
| Notified Body Opinion | CE1177 | TCF-1334TC15 | Jul 5, 2015 | TIMCO Engineering, Inc. |

7.4 Australia

Australian radio regulations do not provide a modular approval policy similar to the United States (FCC) and Canada (IC). However, AMW006 module test reports may be used in part to demonstrate compliance in accordance with ACMA Radio communications “Short Range Devices” Standard 2004 which references Australia/New Zealand industry standard AS/NZS-4268:2012. AMW006 RF transmitter test reports may be used as part of the product certification and compliance folder. For further information regarding the availability of RF test reports, please contact Zentri at <https://www.zentri.com/contact-us>.

7.4.1 External Antenna Requirements

Compliance tests were performed using antenna types listed in Table 11 - Tested External Antenna Types.

If an external antenna is used with the AMW006 module, additional testing of the end product is needed to meet Australian regulatory requirements.

7.4.2 Further Information

Additional information may be obtained from the Australian Communications and Media Authority website at <http://www.acma.gov.au>.

7.5 New Zealand

New Zealand radio regulations do not provide a modular approval policy similar to the United States (FCC) and Canada (IC). However, AMW006 module test reports may be used in part to demonstrate compliance with the New Zealand “General User Radio License for Short Range Devices”. New Zealand Radio communications (Radio Standards) Notice 2010 references Australia/New Zealand industry standard AS/NZS-4268:2012. AMW006 RF transmitter test reports may be used as part of the product certification and compliance folder. For further information regarding the availability of RF test reports, please contact Zentri at <https://www.zentri.com/contact-us>.

7.5.1 External Antenna Requirements

Compliance tests were performed using antenna types listed in Table 11 - Tested External Antenna Types.

If an external antenna is used with the AMW006 module, additional testing of the end product is needed to meet New Zealand regulatory requirements.

7.5.2 Further Information

Additional information may be obtained from the New Zealand Radio Spectrum Ministry of Economic Development website at <http://www.rsm.govt.nz>.



7.6 Japan

The AMW006 has been tested to comply with the radio regulations set forth by the Japanese Ministry of

Internal Affairs and Communications (MIC) as documented in

Table 13. The module is certified for operation with each of the antenna types listed in Table 11 - Tested External Antenna Types.

Table 13. Japan Compliance Testing

| Certification | Standard | Report Number | Date | Laboratory |
|----------------------------|--|-----------------|-------------|---|
| Verification of Compliance | VCCI V-3/2014.04 Class B ITE | JV560122 | Jul 1, 2015 | Sporton International, Inc. (Taiwan) |
| Radio | Notice No. 88 Appendix No. 43 | JRF560122 | Jul 1, 2015 | |
| Equipment Marking |   201-150256 | 152150256/AA/00 | Jul 6, 2015 | Telefication, BV. (The Netherlands) |

8 Packaging, Handling and Storage, RoHS

8.1 Packaging

Each AMWx06/S module is individually packaged in an ESD bag. The bag is NOT compliant with MSL3, and accordingly AMWx06/S modules should NOT be passed through a reflow oven. AMWx06/S modules should be hand-soldered ONLY!

If reflow is required, AMWx06/S must be baked first according to Joint Industry Standard J-STD-033C.

AMWx06/R modules are shipped in a reel enclosed inside a moisture resistant sealed bag. The shelf life of the sealed reel is 12 months at 40°C and <90% Relative Humidity (RH). Please refer to the bag seal date and the following section for handling & storage.

8.2 Handling & Storage



MSL3 Sensitive Device!

CAUTION

The AMW006 module is a moisture sensitive device rated at Moisture Sensitive Level 3 (MSL3) per **IPC/JEDEC J-STD-20**.

After opening the moisture sealed storage bag, modules that will be subjected to reflow solder or other high temperature processes must be:

1. mounted to a circuit board within 168 hours at factory conditions ($\leq 30^{\circ}\text{C}$ and <60% RH)

OR

2. continuously stored per **IPC/JEDEC J-STD-033**

Modules that have been exposed to moisture and environmental conditions exceeding packaging and storage conditions **MUST** be baked before mounting according to **IPC/JEDEC J-STD-033**.

Failure to meet packaging and storage conditions will result in irreparable damage to modules during solder reflow.

8.3 RoHS Directive

The AMWx06 module is produced according to the RoHS (Restriction of the use of certain Hazardous Substances in electrical and electronic equipment) directive and complies with the directive.

8.4 Tape and Reel Specifications

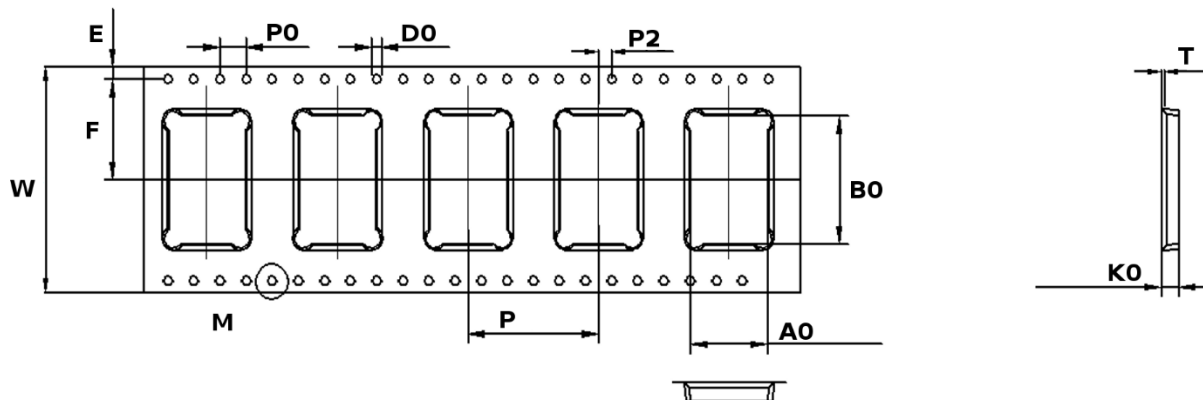


Figure 15 - Tape Specifications

| Symbol | A0 | B0 | DO | E | F | K0 |
|--------------------|-------------|-------------|------------|-------------|-------------|-------------|
| Specification (mm) | 15.6 ± 0.10 | 20.8 ± 0.10 | 1.5 ± 0.10 | 1.75 ± 0.10 | 20.2 ± 0.10 | 3.10 ± 0.10 |

| Symbol | P | P0 | P2 | T | W |
|--------------------|-------------|-------------|-------------|-------------|-------------|
| Specification (mm) | 20.0 ± 0.10 | 4.00 ± 0.10 | 2.00 ± 0.10 | 0.30 ± 0.05 | 44.0 ± 0.30 |

- Tape material : black PS material, in line with ROHS environmental management substances
- Tape thickness: 0.3 mm ± 0.05 mm
- Tape width: 44mm (1.76")
- Protection zone: black PS material
- Distance between chain hole centers within the range of ± 0.2 mm of cumulative error
- Anti-camber at 1 mm / 250 mm
- All dimensions in line with the requirements of EIA-481-D

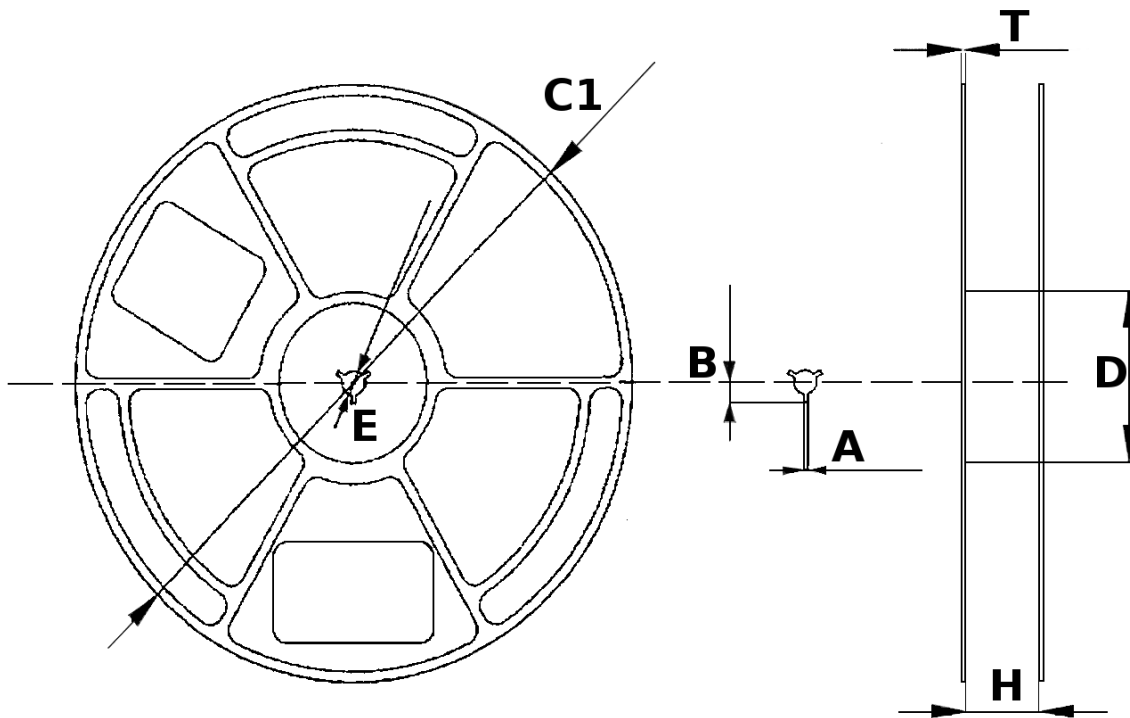


Figure 16 - Reel Specifications

| Symbol | A | B | C1 | D | E | H | T |
|--------------------|---------------|--------------|-------------|----------------|----------------|---------------------|----------------|
| Specification (mm) | 2.5 ± 0.2 | 11 ± 0.2 | 330 ± 1 | 99.5 ± 0.1 | 13.2 ± 0.2 | $44.8 + 0.3 / -0.2$ | 2.25 ± 0.2 |

9 Ordering Information

The AMWx06 module is available individually or in a bulk reel of 900 units as described in Table 14.

Note: Modules ship with the latest available firmware unless otherwise stated. Customers can use the Zentri DMS (Device Management Service) to perform OTA (Over-The-Air) upgrades. To arrange volume orders of a specific firmware version (including older versions), contact Zentri for a custom part number. Minimum Order Quantities (MOQs) apply.

Table 14. Ordering Information

| Part Number | Description |
|-------------|---|
| AMW006/S | 1 x AMW006 module with ZentriOS pre-installed. Each module is individually packaged in an ESD bag. |
| AMW006/R | A single reel containing 900 x AMW006 modules, each with ZentriOS pre-installed. The entire reel is packaged in an ESD and MSL3-rated moisture sensitive bag. |

| Part Number | Description |
|-------------|---|
| AMW106/S | 1 x AMW106 module with ZentriOS pre-installed. Each module is individually packaged in an ESD bag. |
| AMW106/R | A single reel containing 900 x AMW106 modules, each with ZentriOS pre-installed. The entire reel is packaged in an ESD and MSL3-rated moisture sensitive bag. |

10 Revision History & Glossary

10.1 Revision History

Table 15: Document Revision History

| Revision | Date | Change Description |
|----------------|--------------|--|
| ADS-MW006-100R | Oct 20, 2014 | Initial preliminary release |
| ADS-MW006-101R | Nov 25, 2014 | Updated schematic, PCB trace antenna |
| ADS-MW006-102R | Mar 20, 2015 | Added note on reset pin |
| ADS-MW006-103R | Apr 10, 2015 | Added note on MLS3 non-compliance, and note on power consumption |
| ADS-MW006-104R | May 5, 2015 | Added solder reflow charts, AMW106 properties |
| ADS-MW006-105R | Jun 9, 2015 | Removed AMW106 properties; updated GPIO and ADC details |
| ADS-MWx06-106R | Sep 1, 2015 | Added AMW106 Updated/added ETSI/CE v1.9.1 and Japan certification Added tape and reel specifications. |
| ADS-MWx06-107R | June 6, 2016 | Converted to Zentri branding. |
| ADS-MWx06-108R | Dec 21, 2016 | Corrected tape specifications. Added firmware note in Ordering Information. Adding "No Clean" process note in Soldering Information. |

10.2 Glossary

In most cases, acronyms and abbreviations are defined on first use. A comprehensive list of acronyms and other terms used in Zentri documents are provided at <https://docs.zentri.com/zentri/glossary>.

11 References

Throughout this data sheet, references to other documents are listed. The following documents provide additional material:

1. [IEEE 802.11 Standard – 2012](#)
Institute of Electrical and Electronics Engineers.
<http://standards.ieee.org>

Zentri reserves the right to make changes without further notice to any products or data herein to improve reliability, function, or design. Information furnished by Zentri is believed to be accurate and reliable. However, Zentri does not assume any liability arising out of the application or use of this information, nor the application or use of any product described herein, neither does it convey any license under its patent rights nor the rights of others.

Zentri

US Headquarters:
20 North Santa Cruz Ave
Los Gatos CA 95030

© 2014-2016 Zentri

ADS-MWx06-108R • AMWx06 Datasheet

Contact Information

+1 (408) 402 8160

<https://www.zentri.com/contact-us>