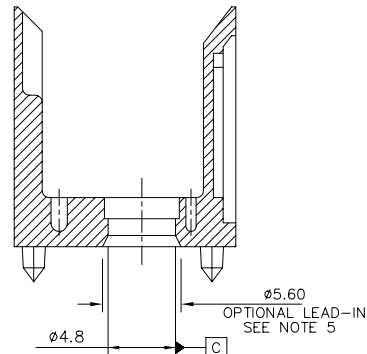
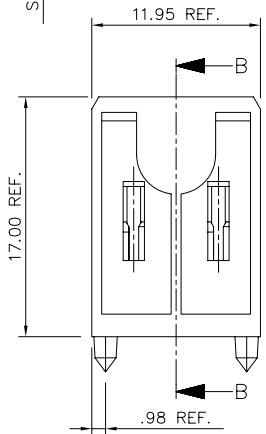
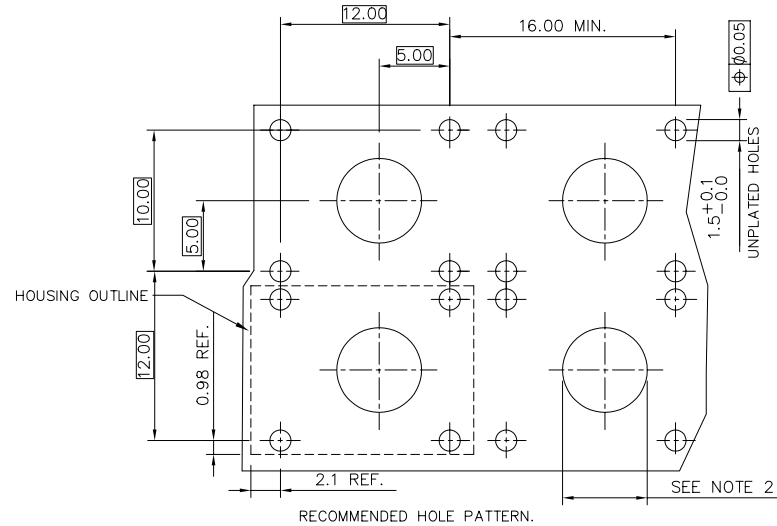
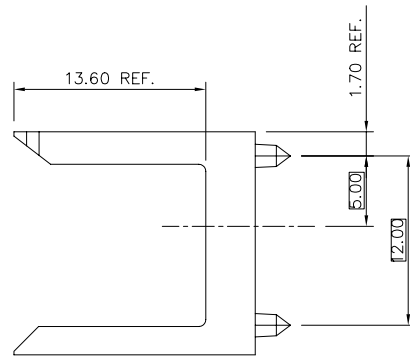
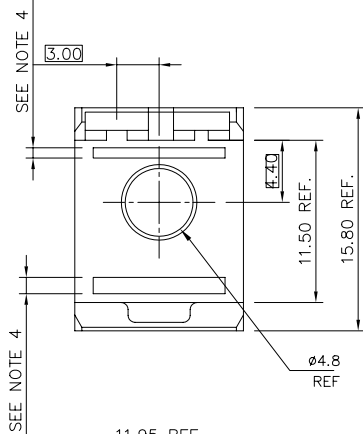


PRODUCT NUMBER	NOTES
88911-101	NOTE 6
88911-201	NOTE 3 & 6
88911-301	NOTE 5 & 6



SECTION B-B

NOTES:

- MATERIAL-LIQUID CRYSTAL POLYMER 30% GLASS FLAME RETARDANT ACC. UL 94-V0 COLOR NATURAL
- WHEN USED WITH GUIDE PIN, HOLE DIAMETER TO BE 3.25±0.10 AND UNPLATED.
-WHEN USED WITH STR. SCREW-TO-BOARD HIGH POWER INSERT, HOLE DIAMETER TO BE 3.25±0.10 AND PLATED WITH 5.00 MIN. PAD DIAMETER.
-WHEN USED WITH A PLUG/PLUG HIGH POWER COUPLER OR A RECEPTACLE/RECEPTACLE COAX COUPLER, HOLE DIAMETER TO BE 6.00+0.10/-0.00 AND UNPLATED.
- TO BE USED WITH PRESS-FIT COAX SOCKETS.
- CORING OPTIONAL AT DISCRETION OF MANUFACTURER.
- P/N 88911-301 HAS 5.60 DIAMETER LEAD-IN CHAMFER ALL OTHER DIMENSIONS ARE THE SAME.
- ADD "LF" SUFFIX AT THE END OF PART NUMBER FOR LEAD FREE OPTION.

- THIS PRODUCT MEETS EUROPEAN UNION DIRECTIVES AND OTHER COUNTRY REGULATION AS DESCRIBED IN GS-22-008.
- THE HOUSING WILL WITHSTAND EXPOSURE TO 260°C PEAK TEMPERATURE FOR 15 SECONDS IN A WAVE SOLDER APPLICATION WITH A 1.5mm MINIMUM THICK CIRCUIT BOARD OR FOR 10-20 SECONDS IN A CONVECTION, INFRA-RED OR VAPOR PHASE REFLOW OVEN. SEE APPLICATION NOTES/PROCEDURES IF THEY ARE AVAILABLE

mat'l. code SEE NOTE 1		surface ISO 1302 ✓	tolerance ISO 406 ISO 1101	projection mm	product family METRAL (tm)
ltr	ecn	no	dr	date	tolerances unless otherwise specified
E	v70809	MDF	5/14/97	5/14/97	xx ±.01/.3
F	v80738	MDF	4/16/98	4/16/98	xxx ±.005/.13
G	v01977	JRW	8/11/00	8/11/00	σ±2' xxx ±.0020/.050
H	v11651	LSS	6/05/01	6/05/01	dr STU STONER 3/24/92
J	v03-1116	LP	10/13/03	10/13/03	enrg R. DOUTRICH 3/24/92
K	M05-0224	MHT	10/25/05	10/25/05	chr STU STONER 3/24/92
L	M06-0286	MNR	7/27/06	7/27/06	appd STU STONER 3/24/92
sheet index	revision	L	L		
	sheet	1	2		

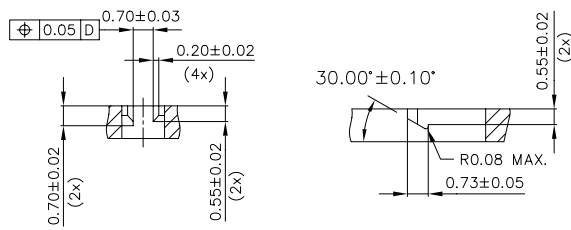
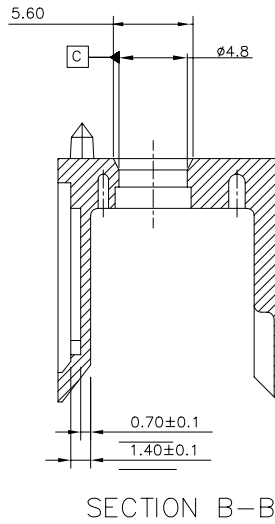
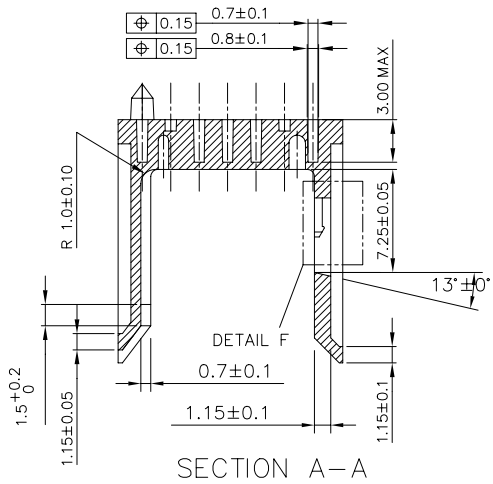


HYBRID HEADER HOUSING-12MM

88911

Product Customer Drawing

PRODUCT NO
88911-301



mat'l. code		surface		tolerance		projection		product family	
-		ISO 1302 ✓		ISO 406 ISO 1101				METRAL (tm)	
ltr		ecn no		date		tolerances unless otherwise specified		title	
L						angles linear xx $\pm 0.1/3$ xxx $\pm 0.05/13$ xxxx $\pm 0.020/050$		HYBRID HEADER HOUSING-12MM	
								sheet 2 of 2 size	
						scale 1:1		A3	
				dr		STU STONER 3/24/92		dwg no	
				enfr		R. DOUTRICH 3/24/92		88911	
				chr		STU STONER 3/24/92		type	
				appd		STU STONER 3/24/92		Product Customer Drawing	
sheet index		revision sheet							

FCJ
FCJconnect.com
Copyright FCJ