

## PLAIN - SEALED IP68

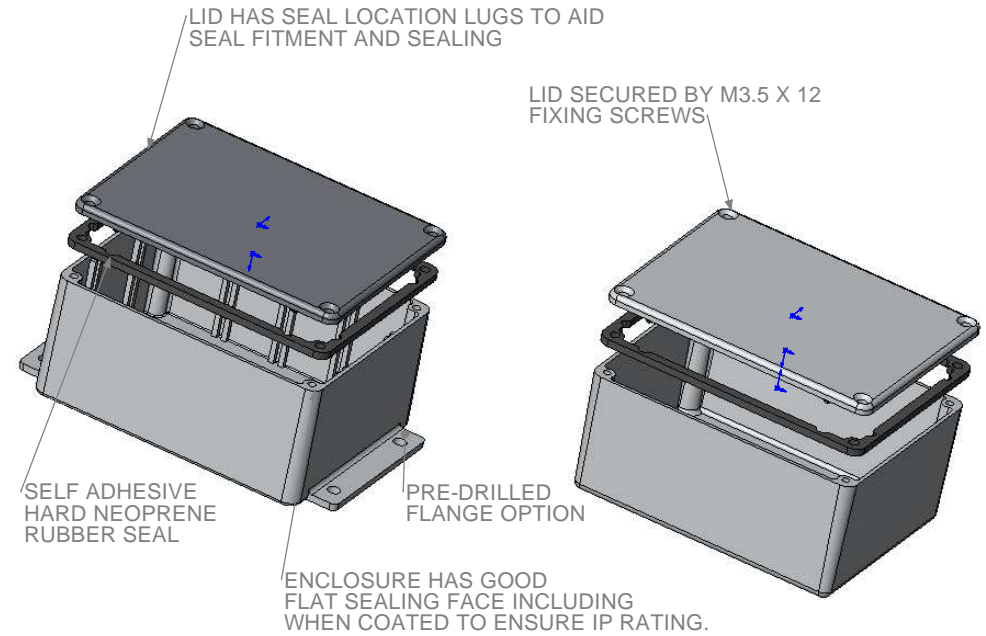
BOX SIZE (MM)				ORDER CODE			
PCB GUIDE	L	W	H	Size	Plain	Powder Coated	Nylon Coated
	88.9	34.9	30.5	A	480-0010	481-0010 **	482-0010 **
	114.3	63.5	30.5	B	480-0020	481-0020 **	482-0020 **
	114.3	88.9	55.9	C	480-0030	481-0030 **	482-0030 **
	114.3	64.5	55.9	D	480-0040	481-0040 **	482-0040 **
	171.5	120.6	55.9	E	480-0050	481-0050 **	482-0050 **
	171.5	120.6	106.7	F	480-0060	481-0060 **	482-0060 **
	222.3	146	55.9	G	480-0070	481-0070 **	482-0070 **
	222.3	146	106.7	H	480-0080	481-0080 **	482-0080 **
*	275	175	66	J	480-0090	481-0090 **	482-0090 **
*	139.7	101.6	77	K	480-0100	481-0100 **	482-0100 **
*	165	127	77	L	480-0110	481-0110 **	482-0110 **
*	120	100	36	M	480-0120	481-0120 **	482-0120 **
*	250	250	100.3	N	480-0130	481-0130 **	482-0130 **
*	80	55	26	P	480-0140	481-0140 **	482-0140 **
*	60	55	31	Q	480-0150	481-0150 **	482-0150 **

\* Boxes with PCB guides      \*\* Colour option - Code Suffix: Grey = A    Blue = B    Black = E

## FLANGED - SEALED IP68

BOX SIZE (MM)					ORDER CODE			
PCB GUIDE	L	L (exc Flg)	W	H	Size	Plain	Powder Coated	Nylon Coated
*	114.3	89.2	35.1	30.5	A	483-0010	484-0010**	485-0010**
*	139.7	114.1	63.6	30.5	B	483-0020	484-0020**	485-0020**
*	139.7	114.2	89.1	55.9	C	483-0030	484-0030**	485-0030**
*	139.7	114.7	63.7	55.9	D	483-0040	484-0040**	485-0040**
*	202	171.8	120.8	55.9	E	483-0050	484-0050**	485-0050**
*	202	171.8	120.8	106.7	F	483-0060	484-0060**	485-0060**
*	252	222.6	146.4	55.9	G	483-0070	484-0070**	485-0070**
*	170	140	101.6	77	K	483-0100	484-0100**	485-0100**
*	152	120	100.2	36	M	483-0120	484-0120**	485-0120**

\* Boxes with PCB guides      \*\* Colour option - Code Suffix: Grey = A    Blue = B    Black = E



- A RANGE OF DIE CAST ALUMINUM ENCLOSURE SEALED TO BS EN 60529:1992 IP66, IP67 AND IP68 (5Mtrs for 1 hour)
- HARD NEOPRENE RUBBER SBR133 SEAL WITH SELF ADHESIVE CCS130106 BACKING
- MIN SEAL THICKNESS 3.0MM - MIN SEAL FRAME WIDTH 4.0MM
- MIN ENCLOSURE WALL THICKNESS 1.5MM
- MIN ENCLOSURE LID THICKNESS 1.5MM

INTERPOLATED SIZES ARE PERMITTED PROVIDED THE MINIMUM CENTRES ARE MAINTAINED IN ACCORDANCE WITH THE 455/459 SERIES SPECIFICATION

PROPRIETARY AND CONFIDENTIAL  
THE INFORMATION CONTAINED IN THIS DRAWING IS THE SOLE PROPERTY OF  
**DEM MANUFACTURING**.  
ANY REPRODUCTION IN PART OR AS A WHOLE WITHOUT THE WRITTEN PERMISSION OF **DEM MANUFACTURING** IS PROHIBITED.



Drawn by W.COXON	27/05/09
FINISH: <b>AS ABOVE</b>	
THIRD ANGLE PROJECTION	DEBUR AND BREAK SHARP EDGES
IF IN DOUBT ASK DO NOT SCALE DRAWING	

UNLESS OTHERWISE SPECIFIED:  
DIMENSIONS ARE IN MILLIMETRES  
LINEAR TOLERANCES:  
NO DECIMAL PLACES ±0.5mm  
1 DECIMAL PLACE ±0.1mm  
2 DECIMAL PLACES ±0.03mm  
ANGULAR TOLERANCES: ±1°  
MATERIAL:

A3	TITLE: <b>GENERAL SPECIFICATION FOR IP68 RANGE OF ENCLOSURES</b>
DWG NO. <b>48x SPEC IP68 RANGE</b>	02 ISSUE