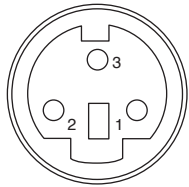


Mini-DIN In Line Jacks

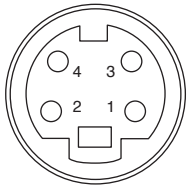
161-2603, 161-2604, 161-2605, 161-2606, 161-2608



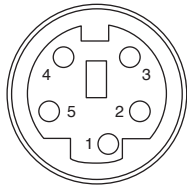
Mini-DIN In Line Jacks



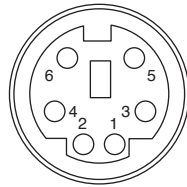
161-2603



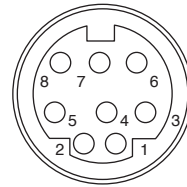
161-2604



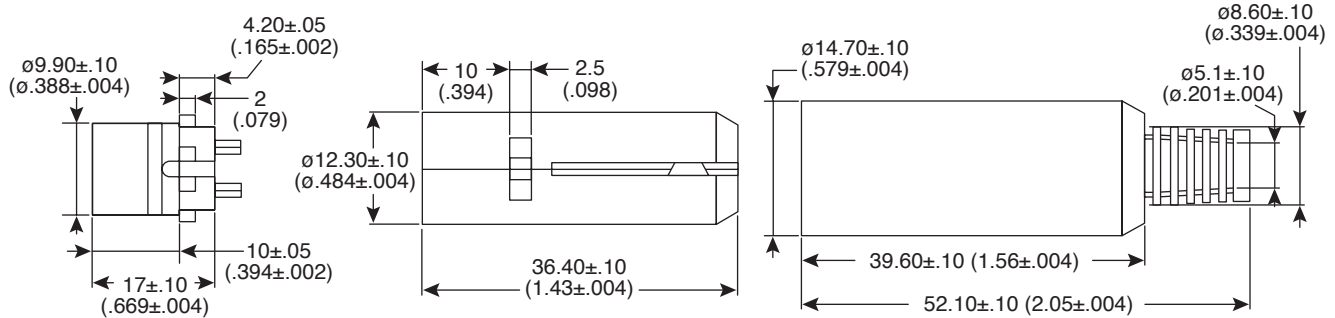
161-2605



161-2606



161-2608



Dimensions: mm (In.)

MATERIALS

| | |
|---------------------|----------------------|
| Boot: | PVC |
| Middle Hood: | ABS |
| Metal Part: | Nickel Plated Copper |
| Insulator: | PC |
| Pin Contact: | Silver Plated Copper |

Date Last Revised: 10-19-05

Available from Mouser Electronics
1-800-346-6873
www.mouser.com

KC- 300794

161-2603, 161-2604, 161-2605, 161-2606, 161-2608