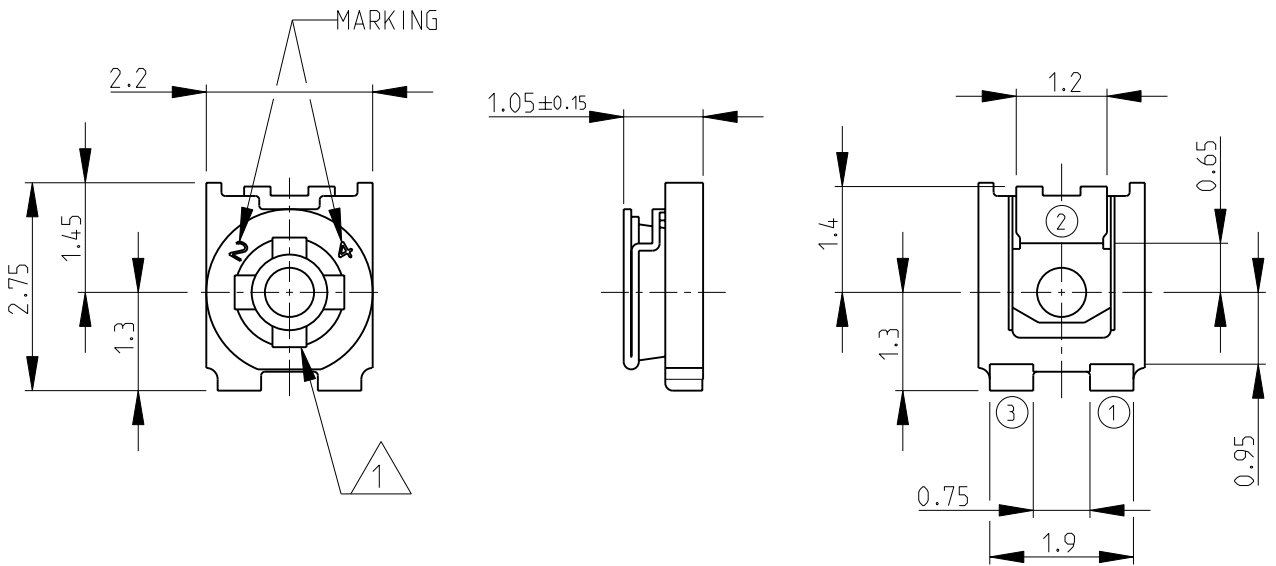
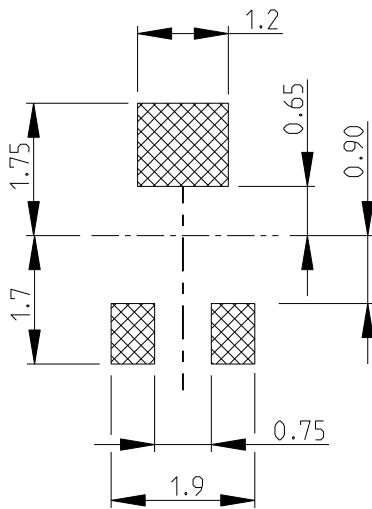


LOC	DIST	REVISIONS					
E	B	P	LTR	DESCRIPTION	DATE	DWN	APVD
			BA	NEW RELEASE	12-NOV-08	SM	St.P

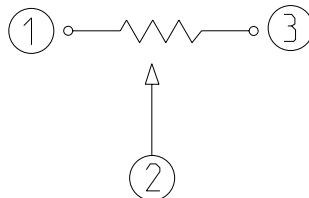


- 1 DRIVER SLOT : WIDTH- 0.45mm, LENGTH- 1.45mm, DEPTH- 0.35mm
- 2 FOR FURTHER INFORMATION SEE DATA SHEET FOR 3121 SERIES-SMD ECONOMY TRIMMERS

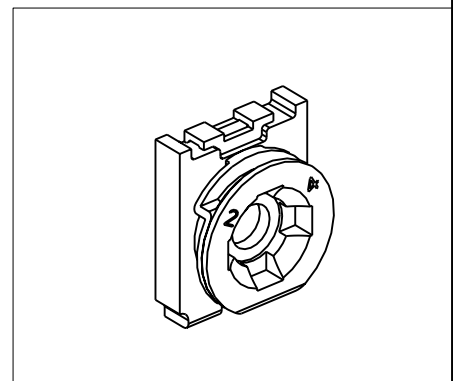
RECOMMENDED LAND PATTERN



CIRCUIT DIAGRAM



RoHS Compliant



2008

RELEASED FOR PUBLICATION

THIS DRAWING IS UNPUBLISHED.

BY TYCO ELECTRONICS CORPORATION. ALL RIGHTS RESERVED.

DIMENSIONS: mm	DWN	12-NOV-08	MATERIAL	-	FINISH	-
	SUBHASH.M					
TOLERANCES UNLESS OTHERWISE SPECIFIED:	CHK	12-NOV-08	Tyco Electronics Corporation Dorcan, Swindon, SN3 5HH			
	PRAKASH.S					
0 PLC ±0.2	APVD	12-NOV-08	NAME SMD ECONOMY TRIMMERS SERIES 3121			
1 PLC ±0.1	STEPHEN.P					
2 PLC ±-	PRODUCT SPEC	-	SIZE	CAGE CODE	DRAWING NO	RESTRICTED TO
3 PLC ±-	APPLICATION SPEC	-	A 4	00779	©= 1623921	-
4 PLC ±-	WEIGHT	-	SCALE 10:1 SHEET 1 OF 1 REV BA			
ANGLES ±5°	CUSTOMER DRAWING					