

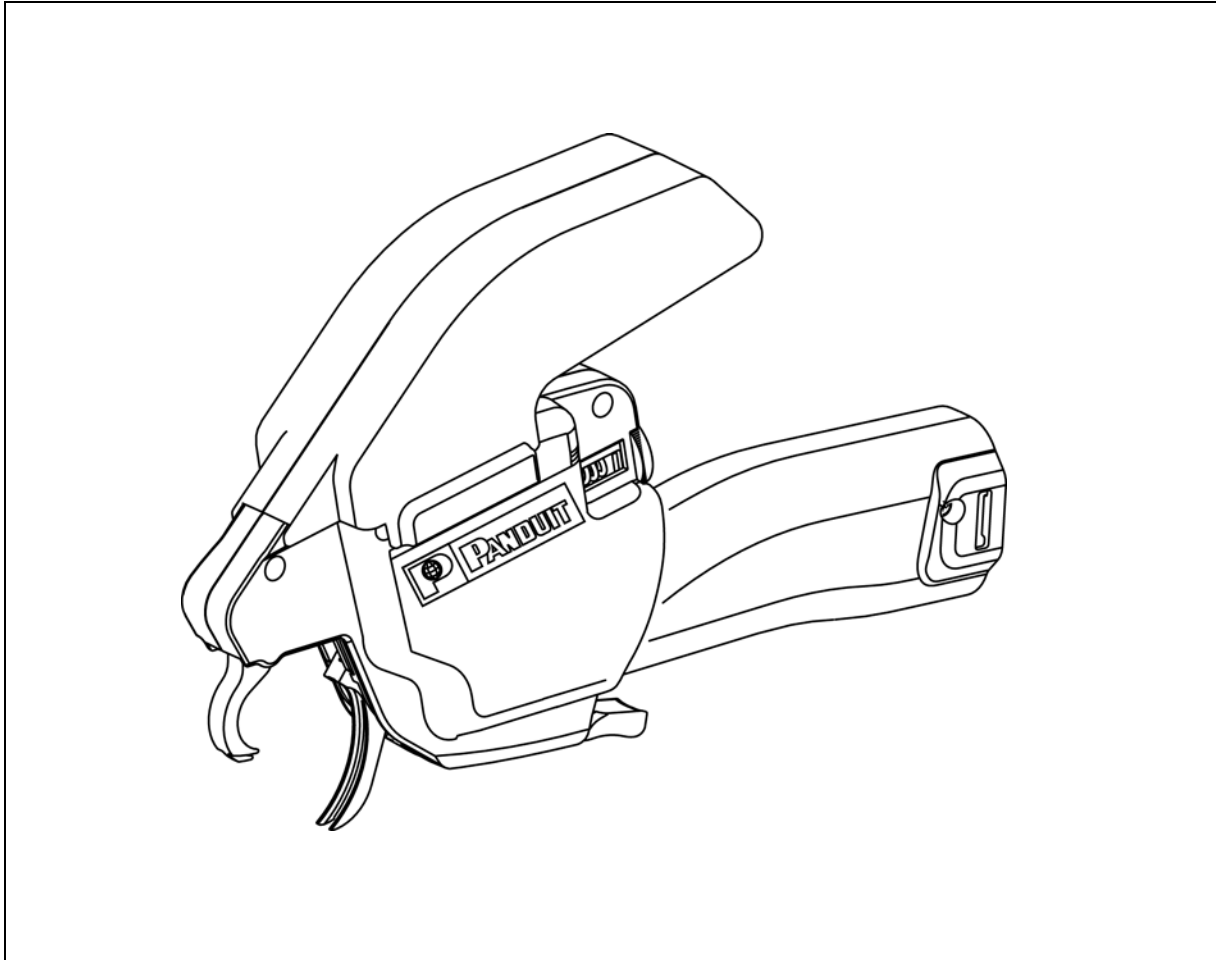


PAT1M / PAT1.5M

PA22222A01
Rev. 03 12-2007

AUTOMATIC CABLE TIE INSTALLATION SYSTEM OPERATION MANUAL

© Panduit Corp. 2007



RETAIN THIS MANUAL FOR FUTURE REFERENCE

Website: www.panduit.com
Email: cs@panduit.com

EU Website:
www.panduit.com/emea

EU Email: EMEA-
Toolservicecenter@panduit.com



PANDUIT Corp. • USA Technical Support
Tel: 888-506-5400, ext. 3255 • Fax: 630-759-7532

PANDUIT Europe • EMEA Technical Support
Tel: 31 (0) 546 580 452 • Fax: 31 (0) 546 580 441

TABLE OF CONTENTS

INTRODUCTION	1
SYSTEM SPECIFICATIONS	1
PAT1M / PAT1.5M TOOLS	1
PDM DISPENSER	2
PHM1 / PHM2 / PHM3 / PHM4 FEEDER HOSES	2
ADDITIONAL COMPONENTS	3
SAFETY PRACTICES	3
ELECTRICAL SAFETY PRACTICES.....	3
OPERATIONAL SAFETY PRACTICES	4
TECHNICAL SPECIFICATIONS	5
AIR SUPPLY	5
ELECTRICAL SPECIFICATIONS	5
OTHER SPECIFICATIONS.....	6
INSTALLATION	6
DISPENSER MOUNTING	6
SYSTEM CONNECTION	6
INSTALLATION CHECKLIST.....	7
LOADING PROCEDURE	7
RELOADING PROCEDURE	9
SYSTEM SETUP AND MENUS	9
OPERATION	12
START UP CHECKLIST	12
CABLE TIE INSTALLATION	13
CABLE TIE INSTALLATION TECHNIQUES.....	13
TIP COLLECTOR.....	14
ERROR MESSAGES	15
FUNCTIONAL MESSAGES	21
STATUS MESSAGES.....	23
MAINTENANCE	24
DAILY PREVENTIVE MAINTENANCE	24
EXTENDED MAINTENANCE.....	24
CLEANING THE DISPENSER EXIT SENSOR LENS.....	26
TOOL HOLDER BRACKET MOUNTING	26
MAINTENANCE LOG	27
TROUBLESHOOTING	28
ERROR MESSAGE TROUBLESHOOTING.....	28
FUNCTIONAL MESSAGE TROUBLESHOOTING.....	30
CABLE TIE INSTALLATION TROUBLESHOOTING	30
"QUICK REFERENCE" MENUS	31
SETUP MENUS	31
"ERROR MESSAGE" ADDENDUM	33
"TIE IN TOOL" ADDENDUM	35

INTRODUCTION

The PAT1M/PAT1.5M Fully Automatic Cable Tie Installation System was designed by Panduit Corporation to install *PANDUIT* continuously molded cable ties for high volume wire harnessing applications.

NOTE: In the interest of higher quality and value, PANDUIT products are continually being improved and updated. Consequently, pictures may vary from the enclosed product.

SYSTEM SPECIFICATIONS

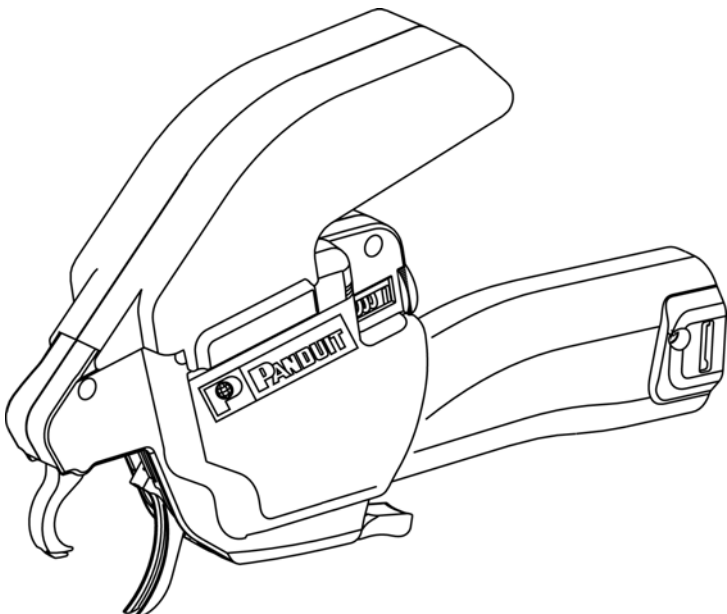
The Panduit Corporation PAT1M/PAT1.5M Cable Tie Installation System consists of four compatible units: the PAT1M or PAT1.5M Installation Tool, the PDM Dispenser, the PHM Feeder Hose, and *PANDUIT PAN-TY* Cable Ties. Order the following reels of continuously molded cable ties (5000 cable ties per reel) for your specific installation tool: PLT1M-XMR cable ties for the PAT1M Tool, and PLT1.5M-XMR cable ties for the PAT1.5M Tool.

NOTE: Any substitution may cause serious damage to the system and/or injury to the operator.

PAT1M / PAT1.5M TOOLS

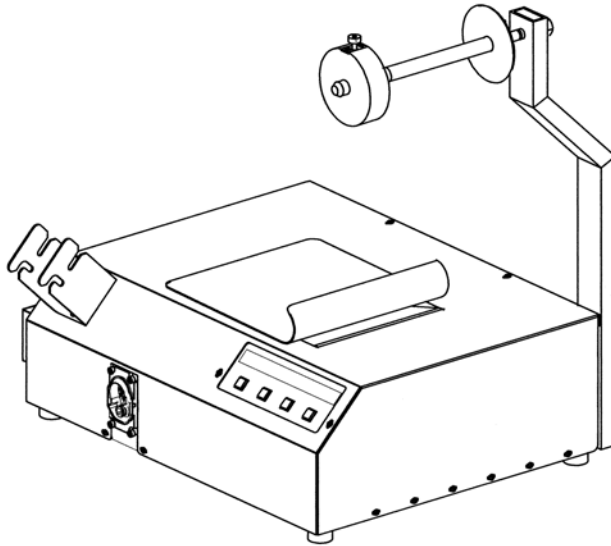
The PAT1M and PAT1.5M Cable Tie Installation Tools are electrically powered and controlled by the PDM Dispenser. Designed for easy operation: hand held, lightweight, and right or left hand use. The tool jaws are normally open for easy positioning around wire harnesses and the jaws are closed by pulling up on the trigger before application of the cable tie. After the cable tie has been applied, the jaws are re-opened upon release of the trigger for positioning of the tool at the next cable tie location.

Tool Type	PAN-TY Cable Ties	Cable Tie Size	Max. Bundle Dia.	Reel Quantity
PAT1M	PLT1M-XMR	3/32" (2,4 mm) wide x 4.1" (104 mm) long	0.82" (21 mm)	5000 Cable Ties
PAT1.5M	PLT1.5M-XMR	3/32" (2,4 mm) wide x 5.5" (140 mm) long	1.31" (33 mm)	5000 Cable Ties

	LENGTH:	10.12" (257 mm)
	WIDTH:	1.89" (48 mm)
	HEIGHT:	4.09" (104 mm)
	WEIGHT:	1.75 lbs. (0,79 kg)
	HANDLE SIZE:	1.34" (34 mm) thick x 1.99" (50,5 mm) wide
	JAW WIDTH:	0.247" (6,3 mm) thick
	TRIGGER FORCE:	0.9 lbs. (0,41 kg)
	TRIGGER STROKE:	0.37" (9,4 mm)

PDM DISPENSER

The PDM Dispenser controls the PAT1M and PAT1.5M Tool operation. The dispenser has an electronic display that provides a step-by-step menu for feature selections and helps to identify errors to reduce downtime. The display also functions in conjunction with the audible alarm, providing the operator with the specific status of certain malfunctions, such as: Dispenser jam, Tie in hose, Tie in tool, etc. Each message is explained in the *Error Messages, Functional Messages, or Functional Troubleshooting Checklist* sections. The dispenser includes a resettable counter that can record tie counts for production runs and maintenance intervals. A carrier strip scrap bin is also included to collect the carrier strip (remaining scrap as the cable ties are detached from the continuous strand).



Overall System (Dispenser w/scrap bin, Reel Mount, and Cable Tie Reel):

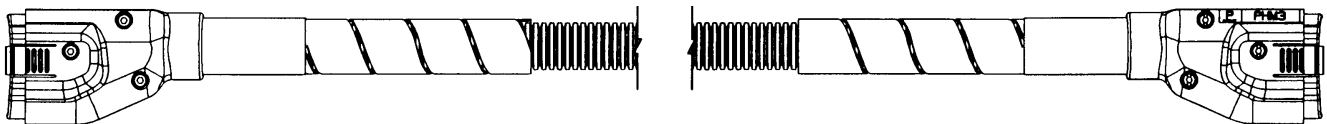
WIDTH: 23.2" (589 mm)
DEPTH: 15.6" (396 mm)
HEIGHT: 28.7" (729 mm)
WEIGHT: 53.3 lbs. (24,2 kg)

Dispenser alone:

WIDTH: 18.6" (473 mm)
DEPTH: 15.6" (396 mm)
HEIGHT: 8.4" (213 mm)
WEIGHT: 42.6 lbs. (19,3 kg)

PHM1 / PHM2 / PHM3 / PHM4 FEEDER HOSES

The PHM Feeder Hose connects the tool to the dispenser with quick connect couplings on both hose ends. The ends are interchangeable, allowing either end to be connected to the tool or the dispenser. The feeder hose allows a single cable tie to be conveyed (blown) from the dispenser, through the hose, to the tool, each cycle.



PHM HOSE	LENGTH	WIDTH	HEIGHT	WEIGHT
PHM1	1 m (3.3 ft)	1.58" (40 mm)	1.99" (51 mm)	0.8 lbs. (0,35 kg)
PHM2	2 m (6.6 ft)			1.2 lbs. (0,54 kg)
PHM3	3 m (9.8 ft)			1.6 lbs. (0,73 kg)
PHM4	4 m (13.12 ft)			1.9 lbs. (0,86 kg)

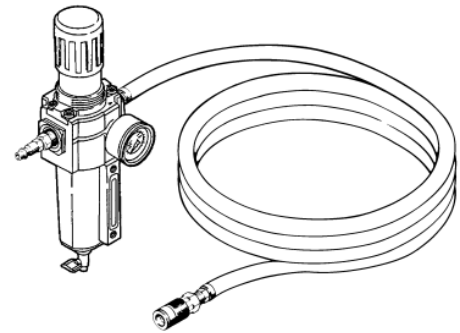
ADDITIONAL COMPONENTS

PATMBM Bench Mount

The PAT1M and PAT1.5M Tools can be mounted to the PATMBM Bench Mount to perform hands-free, foot pedal actuation of the reel-fed PAT1M/PAT1.5M System.

PL283N1 Filter/Regulator

A filter/regulator with a 40 micron maximum element rating must be used to supply the PDM Dispenser with clean air and to ensure proper air pressure regulation. The *PANDUIT* PL283N1 Filter/Regulator meets the requirements of the PDM Dispenser, and it is recommended for best results. The PL283N1 includes a 1/4" male quick connect plug and provides 16 cfm at 85 PSIG (7,5 l/sec. at 5,8 bar).



PDH10-37 Air Supply Hose

The *PANDUIT* PDH10-37 Air Supply hose is approximately 10 ft. (3 m) long. The hose includes a 3/8 NPT male pipe thread fitting for attaching the hose to the PL283N1 Filter/Regulator. A 1/4" female quick disconnect fitting is included on the opposite end of the hose for connection to the dispenser.

SAFETY PRACTICES

The PAT1M/PAT1.5M System is pneumatically and electrically operated and electronically controlled. Therefore, certain safety practices must be followed.



ELECTRICAL SAFETY PRACTICES

GROUNDING:

In the event of a malfunction or breakdown, grounding provides a path of least resistance for electric current which reduces the risk of electrical shock. This tool is equipped with an electric cord that includes an equipment-grounding conductor and a grounding plug. The plug must be inserted into a matching outlet that is properly installed and grounded in accordance with all local codes and ordinances.

DO NOT modify the plug provided. If it will not fit the outlet, have the proper outlet installed by a qualified electrician.

Use only 3-wire extension cords that have 3-prong grounding plugs and 3-pole receptacles that accept the tool's plug.

Replace a damaged or worn cord immediately.





WARNING

DO NOT OPERATE IN AN EXPLOSIVE ATMOSPHERE:

DO NOT operate the product in the presence of flammable gases or fumes. Operation of any electrical equipment in such an environment constitutes a definite safety hazard.

DO NOT OPERATE IN WET OR DAMP AREAS:

DO NOT operate the product in wet or damp areas. Operation of any electrical equipment in such an environment constitutes a definite safety hazard.

	 KEEP AWAY FROM LIVE CIRCUITS:
	<ul style="list-style-type: none">• Operating personnel must not remove covers.• Replacement of components and internal adjustments must be made by qualified maintenance personnel.• Disconnect power cable when replacing components.• Dangerous voltages may exist even with the power cable removed.• To avoid injuries, always disconnect power and discharge circuits by grounding before touching circuitry.

DO NOT SUBSTITUTE PARTS OR MODIFY EQUIPMENT:

Because of the danger of introducing additional hazards, do not install substitute parts or perform an unauthorized modification to the equipment. The proper components for service and repair may be obtained from Panduit Corporation, Tool Division. The product may also be returned to Panduit Corporation, Tool Division for service and repair to ensure that safety features are maintained (Subject to the provisions of the *PANDUIT* service agreement).

**OPERATIONAL SAFETY PRACTICES**

1. Safety glasses must be worn at all times by all persons within ten (10) feet of any part of the system.
2. **DO NOT** insert fingers in between the jaws of the tool or the rotary receiver area of the dispenser.
3. **DO NOT** operate the tool with cover open or safety mechanism disabled.
4. **DO NOT** operate the tool with the rear jaw held open. Cable ties may be ejected from the tool at high velocities.
5. **DO NOT** operate the tool near anyone's face.
6. **DO NOT** operate the tool without a wire bundle in the jaws.
7. **DO NOT** operate the tool with any object blocking the path of the cable tie around the jaws.

The information contained in this manual is based on our experience to date and is believed to be reliable. It is intended as a guide for use by persons having technical skill at their own discretion and risk. We do not guarantee favorable results or assume any liability in connection with its use. Dimensions contained herein are for reference purposes only. For specific dimensional requirements consult the factory. This publication is not to be taken as a license to operate under, or a recommendation to infringe any existing patents.

TECHNICAL SPECIFICATIONS

AIR SUPPLY

ITEM	DESCRIPTION
Recommended regulated air pressure <u>to dispenser</u> (pressures other than recommended may result in unsatisfactory operation):	Regulator settings: 65 PSIG (4,5 bar) with a max. 10 PSI (0,7 bar) drop. DO NOT EXCEED 85 PSIG (5,8 bar).
Air consumption at 25 cycles per minute:	7 cfm @ 65 PSIG (3,3 l/sec @ 4,5 bar)
Line pressure <u>to regulator</u> :	Minimum 70 PSIG (4,8 bar), Maximum 125 PSIG (8,5 bar)
Filter/regulator requirements:	40 micron maximum element rating, 5 PSI (0,3 bar) maximum pressure drop @ 70 PSIG (4,8 bar) inlet pressure and 12 cfm (5,7 l/sec) flow minimum.
Lubrication for air supply:	Air line lubricators are NOT to be used.
Recommended filter/regulator unit (supplied by user) 3/8" NPT ports:	Recommended source: <i>PANDUIT</i> Part Number PL283N1 (See Page 3).
Recommended main air supply hose from filter/regulator to dispenser (supplied by user):	Recommended source: <i>PANDUIT</i> Part Number PDH10-37 (See Page 3).
Recommended female quick disconnect for main air supply (supplied by user): The dispenser is furnished with a male quick connect plug that will fit the listed female interchangeable couplers or their equivalents.	Recommended source: 1. Truflate type 2 & 4, 1/4" couplers 2. Hansen series 1000 & 3000 couplers 3. Foster series 3 & FM3, 1/4" couplers 4. Snap-tite series 31 couplers 5. Daisen Couplings 22-SH (Japan) 6. Obac Corporation, Series 25 (Germany)

ELECTRICAL SPECIFICATIONS

ITEM	MODEL	DESCRIPTION
Line Voltage (PDM Dispenser)	All	100 / 115 / 230 V (50/60 Hz)
Power	All	300 W
Phase	All	Single Phase
Line Fuse(s)	All	F 4 A, 250 V (2) - <i>PANDUIT</i> # CA21138A01
Power to Tool	All	Logic -- 5 V $\overline{=}$, 50 mA Motor -- 36 V $\overline{=}$, 1A (mean)
International Use Kits (purchased separately) Each includes the specific power cord set for the country of use and the universal conversion air disconnect (KPDM1 and KPDM2 include system operation manuals in the primary language of those countries)	KPDM1	Germany, Austria, France, Belgium, Luxembourg, Spain, East Europe
	KPDM2	Italy
	KPDM3	UK, Singapore, Ireland
	KPDM4	Australia, Argentina
	KPDM5	Japan

This unit includes EMI/RFI filters, however it is possible that infrequent electrical phenomena may cause tool function to be temporarily interrupted. This interruption can be corrected by turning the tool "off" (removing the cable tie if necessary), and then back "on" again.

OTHER SPECIFICATIONS

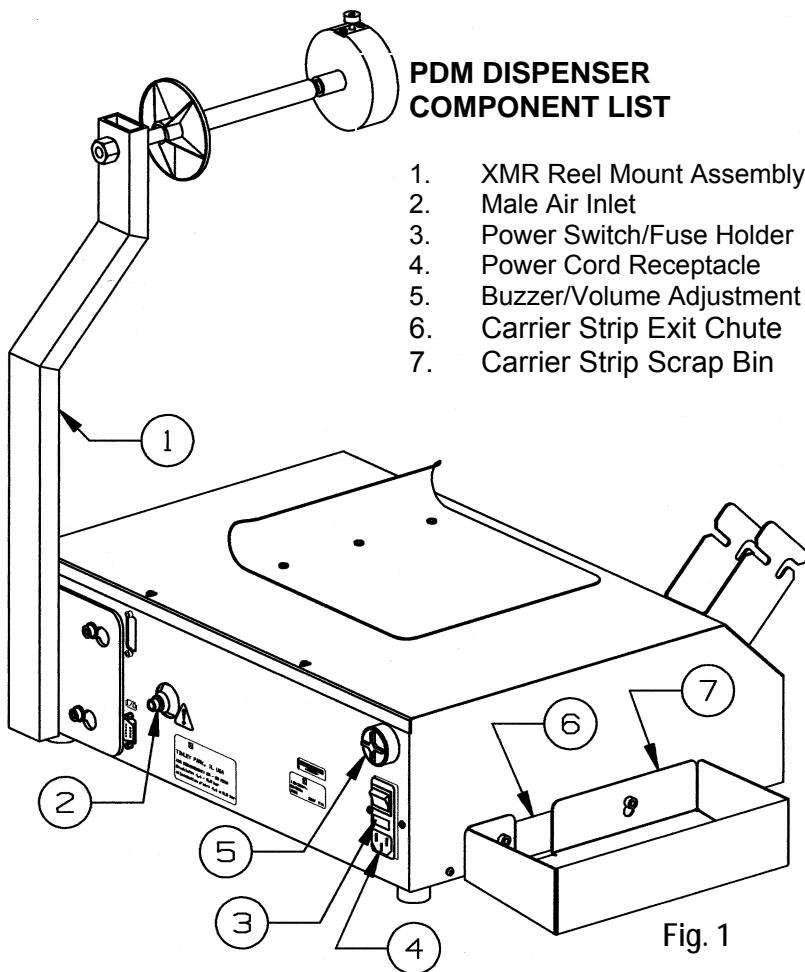
ITEM	DESCRIPTION
Peak Sound Level during cycle	76 dBA (average)*
PAT1M/PAT1.5M Tool Vibration	Less than 2.5 m/s ² **

* As measured in accordance with ISO 11202: 1995 (E).
 ** As measured in accordance with ISO 5349.

INSTALLATION

DISPENSER MOUNTING

After unpacking the components, mount the carrier strip scrap bin (See Figure 1) on the left side of the dispenser by positioning the larger holes in the bin over the cap screws on the dispenser, and sliding the bin down. Attach the tool holder bracket (See Figure 2 on Page 7) to the front of the dispenser by positioning the larger holes in the tool holder bracket over the cap screws on the dispenser, and sliding the bracket down into position. Refer to Page 26 for alternate mounting to walls, carts or bench tops. Always position the dispenser in the work area so there are no severe bends or twists in the PHM Feeder Hose.



SYSTEM CONNECTION

1. Connect the female quick disconnect end of the air hose and filter/regulator assembly to the male air inlet on the back of the dispenser (See Figure 1).
2. Connect the filter/regulator to the main (NON-LUBRICATED) air supply and set the filter regulator at 65 PSIG for optimum performance (Refer to the *Air Supply* section on Page 5).
3. Verify installation by reviewing the *Installation Checklist* section below.

INSTALLATION CHECKLIST

1. Have you made sure that the air supply is NON-LUBRICATED (from any source)?
2. Is the main air supply hose to the dispenser clean and sized properly? (3/8" inside diameter minimum, 10'-0" (3 m) length maximum from filter/regulator to dispenser)
3. Is the filter element rating correct? (40 micron maximum)
4. Is the filter/regulator equivalent to recommended? (See Page 5.)
5. Are the quick-connect fittings equivalent to recommended? (See Page 5.)
6. Is the filter/regulator located as close to the dispenser as possible? (10' - 0" (3 m) maximum)
7. Is the dispenser placed or mounted in a convenient location? (Refer to the *Dispenser Mounting* section on Page 6.)
8. Is the regulated air line pressure to dispenser sufficient? (Refer to the *Air Supply* section on Page 5.)

LOADING PROCEDURE

1. Attach the XMR Reel Mount Assembly (See Figure 1) to the back of the dispenser (with reel axle facing the front of the dispenser) by positioning the larger holes in the reel mount assembly over the cap screws on the dispenser, and sliding the reel mount assembly into position. Tighten the cap screws to fasten the reel mount in position.
2. Plug the supplied electric cord into the receptacle on the back of the dispenser (See Figure 1). Plug the other end into a grounded electrical outlet that matches the dispenser power requirements (Refer to the *Electrical Specifications* section on Page 5). Set the power switch on the back of the dispenser (See Figure 1) to the "on" position.

IMPORTANT: Only turn the power to the unit "on" or "off" using the power switch on the back of the dispenser. Using any other method to turn the unit "on" or "off" may damage the unit.

The dispenser rotary receiver (Figure 2) will rotate slightly to align itself and the message "PANDUIT -- Tool is ready" will appear on the electronic display (Figure 2) for two seconds. The dispenser is now ready for loading.

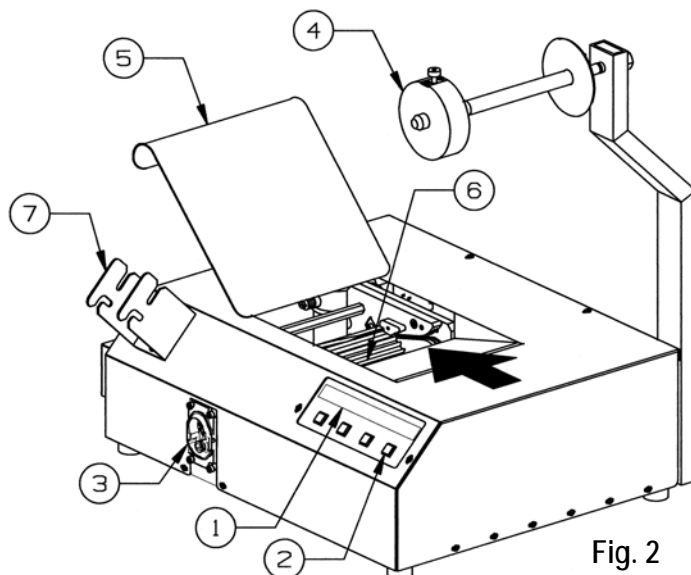


Fig. 2

PDM DISPENSER COMPONENT LIST

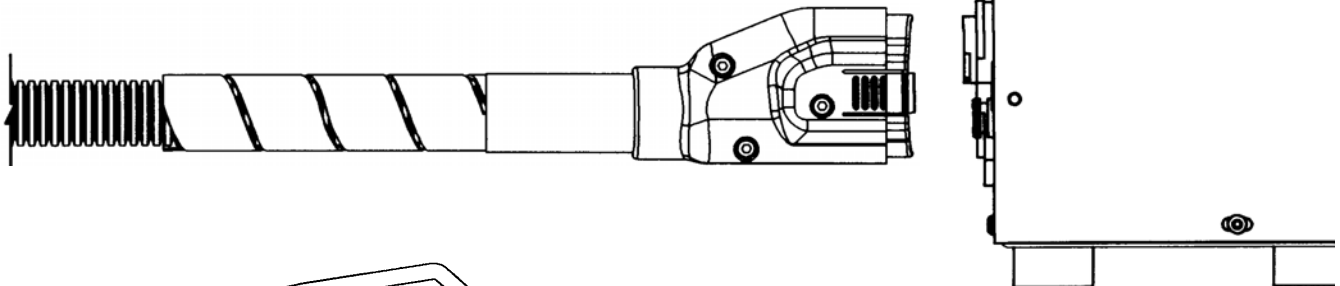
1. LCD Display
2. Display Menu Buttons
3. Feeder Hose Connection Block
4. Reel Collar
5. Tie Guide Door
6. Rotary Receiver
7. Tool Holder Bracket

3. Remove the cable tie reel from the protective plastic bag. Remove the corrugated cardboard wrap from around the cable ties. Remove the collar from the reel axle by pulling out on the release pin while sliding the collar off (See Figure 2). Carefully slide the cable tie reel onto the reel axle so that the reel turns clockwise as the cable ties are dispensed. Remove the cellophane tape from the end of the cable tie strip and discard. Replace the collar on the reel axle by pulling out on the release pin while sliding the collar on the axle until the pin locks the collar in place.
4. Open the tie guide door (See Figure 2), on the top of the dispenser, by pulling the door "up". Pull the end of the cable tie strip and guide the cable tie carrier strip against the back edge of the ramp as the cable ties enter the cover opening. Slide the carrier strip into the opening until it stops (See Figure 2). At this point, the first cable tie is positioned in the rotary receiver slot. Close the tie guide door. While maintaining a slight inward pressure on the cable ties, press the "Load" button once, to feed the first cable tie. If the carrier strip and cable tie are fed correctly, press and HOLD the "Load" button until 13 more cable ties are fed. As each cable tie is loaded, the number next to "Load" will decrease for each cable tie loaded. The dispenser cover must be closed and latched to load or cycle the system. The rotary receiver will not advance if the cover is open.

NOTE: If the cable ties are not feeding correctly, release the "Load" button immediately. Next, press the "Unload" button to reverse the rotary receiver's rotation and back the cable ties out of the dispenser. Hold the "Unload" button down until all of the cable ties have exited. NEVER pry the rotary receiver, or turn it, or touch it with your hand. Only use the "Load" or "Unload" buttons to rotate the rotary receiver. Press the "Menu" button to advance to the "Reset" display. Now, press the "Reset Load" button to reset the "Load" counter to 14 cable ties. Cut the excess carrier strip and any distorted or damaged cable ties from the cable tie strip. Slide the carrier strip into the cover opening until it stops. Press and HOLD the "Load" button until 14 cable ties have loaded. Any extra cable ties loaded will drop out of the dispenser.

5. Connect either end of the PHM Feeder Hose to the PDM Dispenser connection block (See Figure 3). Align the connectors and push the hose end onto the dispenser connection block until the latches engage.

Fig. 3



6. Connect the other end of the feeder hose to the PAT1M or PAT1.5M Tool in the same manner (See Figure 4). The system is now ready for operation.

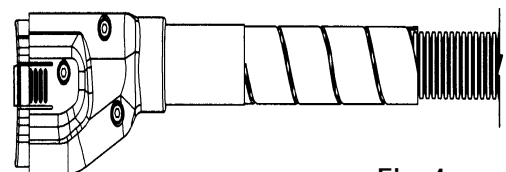
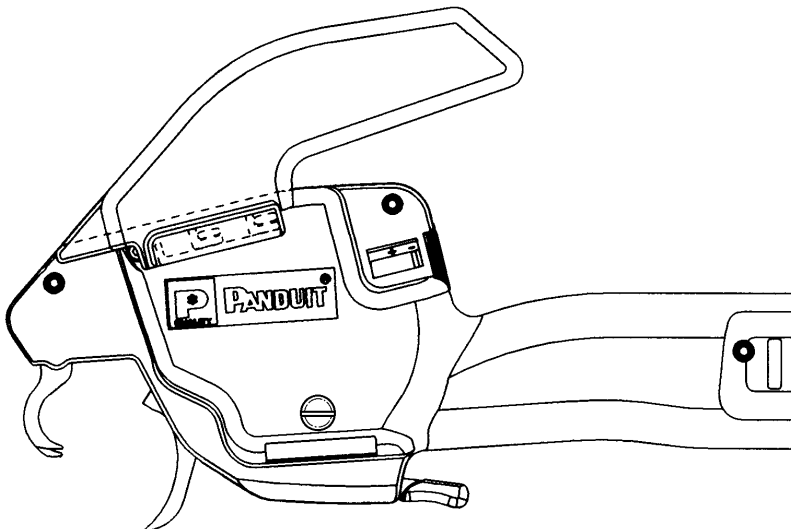


Fig. 4

7. Place the tool jaws around a bundle and cycle the tool by lifting up on the trigger. Refer to the *Cable Tie Installation* section on Page 13 for some cable tie installation techniques.

RELOADING PROCEDURE

1. The carrier strip scrap bin will hold one half reel of scrap ($\frac{1}{2}$ reel = full collection bin). To maintain an exit for carrier strip scrap, the scrap bin should be emptied after 2500 cable ties have been installed. The carrier strip scrap bin should be lifted off the dispenser, emptied and replaced.
2. Before loading a full reel, press the "Unload" button to verify that any remaining ties on the carrier strip are pulled out of the dispenser. Continue to press the "Unload" button until all of the remaining cable ties have dropped out of the rotary receiver.
3. Once the full cable tie reel is positioned correctly, and the carrier strip is positioned in the dispenser, press the "Menu" button to bring up the "Reset" display. Then, press the "Reset load" button to reset the "Load" counter to 14 and continue with the standard loading procedure. To reload, follow the *Loading Procedure* section on Pages 7-9, beginning with Step 3.

SYSTEM SETUP AND MENUS

The PDM Dispenser is menu driven from the LCD display. The menu has six (6) different levels that can be advanced or exited, by pressing the designated buttons. The instructions below are for the lead person or setup person only. For quick startup instructions and to begin cable tie installation, refer to the *Operation* section on Pages 13-14.

1. Plug the supplied electric cord into the receptacle on the back of the dispenser. Plug the other end into a grounded electrical outlet that matches the dispenser power requirements (Refer to the *Electrical Specifications* section on Page 5). Set the power switch on the back of the dispenser to the "on" position. The dispenser rotary receiver will rotate slightly to align itself, and

The following display will appear for 5 seconds:

Panduit	rX.X
Tool is ready	

followed by:

LEVEL 1 - Operator Menu ("Load, Unload, Menu" Display)

Loads: XX	XXXXXXXX	
Load	Unload	MENU

This is the Level 1 menu ("Load, Unload, MENU" Display). The "XX" represents the number of ties needed to be advanced into the rotary receiver, before the dispenser can be cycled.

When the "**Load**" button is pressed, the number will decrease as the rotary receiver advances each tie. Once the 14 ties are advanced, the number and "Load" function disappears. (To load the dispenser, refer to the *Loading Procedure* section on Pages 7-9.) The number (XXXXXXXX) on the right side of the display is the user resettable counter (See Level 3) that keeps track of the number of cable ties successfully applied.

The "**Unload**" button reverses the rotary receiver in order to unload or clear jams. The gearing of the dispenser will not allow turning the rotary receiver by hand. Only use the "Load" and "Unload" functions to rotate the rotary receiver. The rotary receiver will not move if pried.

The "**MENU**" button will advance to the next menu level to activate the other dispenser functions. The functions are in a preset order similar to a staircase. To reach a desired level, you must walk through each stairway before that level. Press the "Menu" button to go up (forward) one level, or press the "Exit" button to go down (back) one level.

The "Escape" button can be pressed to go directly to Level 1 or 1B Operator Menus (Refer to the *Cable Tie Installation* section on Pages 13-14). It is important to note that the tool will only cycle cable ties when the display is returned to the Level 1 or 1B Operator Menus ("Load, Unload, Menu" Display).

2. Press the **"MENU"** button to bring up the Level 2 menu:

LEVEL 2 - Load and Counter Reset Menu ("Reset" Display)

Resets load and/or counter		
Reset Ld	Reset Ct	Exit

The **"Reset Ld"** button will return to the last menu level (Level 1) while also resetting the Load counter back to "14". This allows the unit to be reloaded (To reload the dispenser, follow the Reloading Procedure on Page 9).

Pressing the **"Reset Ct"** button will zero the "resettable counter" on the Level 1 menu.

There is not a **"MENU"** button in this level (Level 2) since it is the last menu level for operator use. The following procedure is for lead person or setup person only.

The **"Exit"** button will return to the last menu level (Level 1). If ONLY the "Exit" button is pressed, the load counter and or the "resettable counter" will remain unchanged. See Step 1.

-
3. The display at Level 2 does not show a "Menu" selection at the third button. The Setup menu levels (Level 3 thru Level 6) are not required except to set, or to adjust the unit, and are reached by the following sequence:
 - a. Verify that the Level 2 menu is on the display.
 - b. Press the second button from the right, two times, followed by pressing the button on the far left, one (1) time.

LEVEL 3 - Total Counts Menu (Dispenser and Tool)

Shows total counts			
Counters	Escape	Menu	Exit

IMPORTANT!! Please note that once you press the "Escape" or "Exit" button to return to menu Level 1, 1B, or 2, you must repeat the sequence (Steps 3.a. and 3.b.) to re-enter the higher menu levels (Level 3 thru Level 6).

Press the **"Counters"** button to view the total count to date for the PDM Dispenser and the PAT1M or PAT1.5M Tool. Pressing this button will bring up the following display:

LEVEL 3A

PDM	#	XXXXXX	Rev X.X	Cycles:	XXXXXXX
PAT1M	#	XXXXXX		Cycles:	XXXXXXX

The number (XXXXXX) to the right of each component is the serial number of the particular component. The number (X.X) to the right of "Rev" represents the revision level of the software for the system. The number (XXXXXXX) to the right of "Cycles" represents the number of times the particular component has been cycled. These total counts are not resettable. Press Button 4 to return to the last menu level (Level 3).

Press the **"Escape"** button to return directly to Level 1 or 1B (Operator Menus). See Step 1.

Press the **"MENU"** button to advance to the next menu level (Level 4). See Step 4.

Press the **"Exit"** button to return to the last menu level (Level 2). See Step 2.

Remember!! Once you **"Escape"** out of the Setup menus, you must repeat the sequence (Steps 3.a. and 3.b.) to re-enter the higher menu levels (Level 3 thru Level 6).

LEVEL 4 - Chopper Cut Cycle Menu

Turn chopper on/off			
Chopper	Escape	Menu	Exit

4. Press the **"Chopper"** button to view or to change the current status of the chopper ("on" or "off"). Pressing this button will bring up the following display:

LEVEL 4A

Chopper is - On			
On	Off	Exit	

The upper statement refers to the current status of the chopper – "Chopper is – on" or "Chopper is – off". When the "Chopper is – on", the chopper will cut the carrier strip every 7 cable ties. When the "Chopper is – off", the chopper will not cut the carrier strip, and one continuous carrier strip will exit the dispenser. Press the "On" button to turn the chopper "on", or press the "off" button to turn the chopper "off". When the desired status is displayed, press the "Exit" button to select that choice and also return to the last menu level (Level 4).

Press the **"Escape"** button to return directly to Level 1 or 1B (Operator Menus). See Step 1.

Press the **"MENU"** button to advance to the next menu level (Level 5). See Step 5.

Press the **"Exit"** button to return to the last menu level (Level 3). See Step 3.

Remember!! Once you **"Escape"** out of the Setup menus, you must repeat the sequence (Steps 3.a. and 3.b.) to re-enter the higher menu levels (Level 3 thru Level 6).

LEVEL 5 - Line Pressure Menu

View line pressure			
Pressure	Escape	Menu	Exit

5. Press the **"Pressure"** button to view the current pressure, minimum pressure, and maximum pressure. Pressing this button will bring up the following display:

LEVEL 5A

XX PSI	MIN: XX PSI	MAX: XX PSI
BAR/PSI	Clear	Exit

The current line pressure at the dispenser is displayed on the top, far left of the display. The minimum and maximum pressure readings are based on the lowest and highest pressures since the dispenser was turned "on", or since the **"Clear"** button was last pressed. Press the "BAR/PSI" button to select the desired unit for measuring pressure (BAR for Europe or PSI for USA). If the "Clear" button is not pressed after the unit is turned "on", the minimum reading may be 0. The line pressure display is used to verify that the correct supply pressure is being provided. Refer to *Air Supply* section on Page 5 for the recommended operating pressure for optimum performance. Press the "Clear" button to clear the current minimum and maximum readings to verify minimum and maximum readings from that point on.

Press the **"Escape"** button to return directly to Level 1 or 1B (Operator Menus). See Step 1.

Press the **"MENU"** button to advance to the next menu level (Level 6). See Step 6.

Press the **"Exit"** button to return to the last menu level (Level 4). See Step 4.

Remember!! Once you "Escape" out of the Setup menus, you must repeat the sequence (Steps 3.a. and 3.b.) to re-enter the higher menu levels (Level 3 thru Level 6).

LEVEL 6 - Language Menu

Set language		
Language	Escape	Exit

6. Press the "**Language**" button to select the language at the next menu in which all menus will be displayed. Pressing this button will bring up the following display:

LEVEL 6A		
English		
↑	↓	Select

The menu can be displayed in one of five languages: English, Deutsch (German), Español (Spanish), Italiano (Italian), or Français (French). The current language chosen is shown at the upper left of the display. To select another language, press the "↑" button to scroll "up" thru the language choices, or press the "↓" button to scroll "down" thru the language choices. When the preferred language is displayed at the upper left, press the "Select" button to choose that language, and to return to the last menu level (Level 6). All menus will be displayed in the selected language. If the incorrect language was selected, press the "Language" button to return to Level 8A to select the correct language.

Press the "**Escape**" button to return directly to Level 1 or 1B (Operator Menus). See Step 1.

The "**MENU**" button is unavailable since Level 6 is the last Setup menu.

Press the "**Exit**" button to return to the last menu level (Level 5). See Step 5.

Remember!! Once you "Escape" out of the Setup menus, you must repeat the sequence (Steps 3.a. and 3.b.) to re-enter the higher menu levels (Level 3 thru Level 6).

OPERATION

Follow this operation procedure to correctly apply cable ties. To begin, follow the Start Up Checklist below to assure safety and optimum system operation.

START UP CHECKLIST

1. Is the PDM Dispenser connected to the air supply? (Refer to the *System Connection* section on Page 6.)
2. Is the air pressure set properly? 65 PSIG with a maximum 10 PSI drop is recommended. (Refer to the *Air Supply* section on Page 5.)
3. Is the PDM Dispenser loaded properly? (Refer to the *Loading Procedure* section on Pages 7-9.)
4. Is the PHM Feeder Hose securely connected to the PAT1M or PAT1.5M Tool, and PDM Dispenser? (Refer to the *Loading Procedure* section on Pages 7-9.)
5. Is the Level 1 or 1B Operator Menu displayed on the PDM Dispenser? The Level 1 or 1B Operator Menu must be displayed on the dispenser for the tool to cycle cable ties. Refer to the *Cable Tie Installation* section (next) for proper menu display.

CABLE TIE INSTALLATION

1. Review and follow all of the *Safety Practices* on Pages 3-4, being certain to wear adequate eye protection.
2. Verify that the Level 1 or Level 1B Operator Menu is displayed on the PDM Dispenser. The PAT1M and PAT1.5M Tools can only cycle cable ties if one of the two Operator Menus (below), is displayed.

The Level 1 Operator Menu looks like this:

Loads : XX			XXXXXXXX
Load	Unload	MENU	Exit

The Level 1B Operator Menu looks like this:

			XXXXXXXX
		MENU	

The Level 1B Operator Menu will only be displayed if the tool was actuated one or more times. Once the tool has been actuated, the loading commands disappear ("Loads: X", "Load", and "Unload").

3. Grasp the tool with either hand, and slip the open jaws around the bundle or item to be cable tied.

NOTE: Bundles should be routed at least 2" (51 mm) off the harness board for easy tool jaw access. However, DO NOT allow the wire bundles to be forced into the jaw track. This will hinder the travel of the cable tie around the jaws and could increase the possibility of a misfeed (cable tie tail will be blocked by wire bundle when attempting to feed into cable tie head).

4. When the jaws are positioned at the preferred location for a cable tie, close the rear jaw by lifting the trigger (See Figure 5 on Page 15). When the trigger is lifted to the highest point, the tool cycle will start. Hold the trigger momentarily for proper cycling of the tool. The cable tie will be applied, tensioned and cut off.
5. At the completion of the cycle, release the trigger to open the rear jaw (See Figure 5 on Page 15). Relocate the tool at the next desired cable tie location and repeat as required.

NOTE: If a malfunction occurs, or a cable tie is not applied properly, then a buzzer will sound and an error message will be displayed. Follow the "Help" instructions on display or refer to the *Error Messages* section on Pages 15-21 for more specific instructions.

HINT: When applying several cable ties on a long bundle, the tool can be moved along the bundle to each location, and cycled, without opening the jaws. This can be done by slightly relaxing pressure on the tool trigger (but not enough to open the jaws), and then lifting the trigger to the highest point to cycle the tool. With practice, this technique can be accomplished with minimal effort.

CABLE TIE INSTALLATION TECHNIQUES

Always use the following cable tie installation techniques to promote continuous trouble-free usage of the PAT1M/PAT1.5M System. These techniques will prevent incomplete cable tie installations and system interruption.

- Prevent severe bends or twists in the PHM Feeder Hose. This will prevent interference with the cable tie travel to the tool and, in turn, reduce incomplete cycles.
- Dress the wires to result in a compact bundle; .82" (21 mm) in diameter or less for the PAT1M Tool, and 1.31" (33 mm) in diameter or less for the PAT1.5M Tool. This will prevent loose cable ties or cable ties that do not stay on the bundle.
- Hold the tool perpendicular, in both directions, to the bundle or item to be cable tied. Left to right, and top to bottom. This will prevent loose cable ties and cable ties that are not cut off flush to the head.

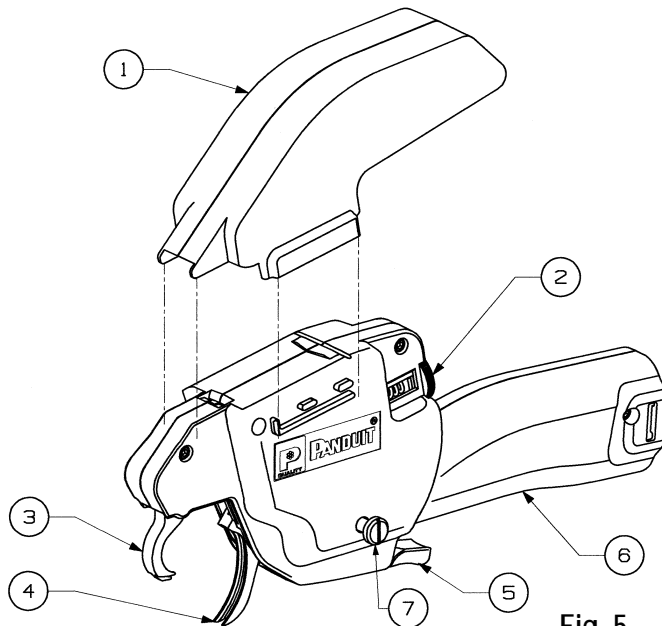
- Although the tool does not require any specific positioning on the bundle within the jaws, always allow the tool to seek its own position as the cable tie is being tensioned. **DO NOT** pull on the tool or restrict its movement toward the bundle, or loose cable ties or non-flush cable tie tail cutoffs will result.
- **DO NOT** place the bundle or item against the back of the jaw area. Misfeeds may result.
- Each harness or item to be cable tied should be supported off the harness board at least 2" (51 mm). *PANDUIT* Harness Board Accessories provide the ideal harness height for automatic cable tie application.
- **DO NOT** install cable ties too close to a previously installed cable tie or a harness support, or any other object on the bundle. Loose cable ties or long cutoffs may result. Always allow enough space between cable ties and other objects, so that the tool can move freely toward the bundle as the cable tie is pulled tight.
- Store the cable ties properly, according to the storage specifications, and use them before the expiration date to prevent dryness and brittleness. Dry or brittle cable ties may break during installation.

TIP COLLECTOR

The PAT1M and PAT1.5M Tools are provided with a tip collector to collect a maximum of 180 cable tie cutoff tips (See Figure 5 on Page 15). The tip collector must be emptied before it reaches its capacity.

NOTE: Failure to empty the tip collector may cause the tool to malfunction.

To empty the tip collector, push the tip collector forward on the tool and remove. Shake out the cutoff tips. Remount the tip collector on the tool by pushing it on until the latch snaps into place.



PAT1M/PAT1.5M TOOL COMPONENT LIST

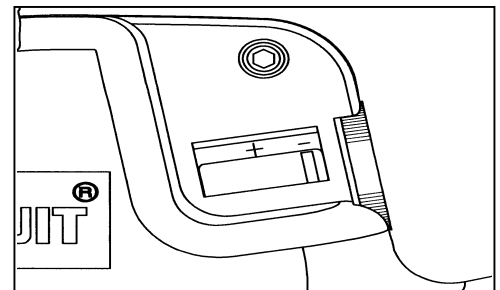
- 1. Tip Collector
- 2. Tension Adjustment Knob
- 3. Front Jaw
- 4. Rear Jaw Assembly
- 5. Tool Trigger
- 6. Tool Handle
- 7. Tool Holder Bolts (1 each side)

Fig. 5



CABLE TIE TENSION

The tension at which cable ties are installed can be adjusted on the PAT1M and PAT1.5M Tools. The cable tie tension setting can be viewed thru a window on the top left side of the tool (See Figure 6). The right edge of the bar (inside the window) indicates the current tension setting. Adjust the tension setting by turning the tension adjustment knob (to the rear of the tension setting window). If cable ties are too loose on the bundle, turn the tension adjustment knob counterclockwise to increase the tension. If cable ties are too tight on the bundle, turn the tension adjustment knob clockwise to decrease the tension. After desired setting is reached, check tension by installing a few cable ties. In very high humidity areas, the maximum tension setting should be reduced.



NOTE: DO NOT force the tension adjustment knob with pliers or other tools. Greater or lesser tensions will not result, and tool may be damaged.

ERROR MESSAGES

The operator is constantly informed of the PAT1M/PAT1.5M System's status by the PDM Dispenser's electronic display, such as: "Waiting on tie". If the system fails due to operator error or dispenser malfunction, the operator is alerted that an error has occurred by two (2) types of signals: a buzzer signal (audible) and the dispenser display (visual). The buzzer signal volume can be adjusted by turning the faceplate of the buzzer. The buzzer is located on the back of the PDM Dispenser next to the power switch.

For each error message that appears, there will be at least three (3) buttons to choose from (on the error message display):

"Help" button Press to receive general instructions to remedy the current problem;

"Buzzer" button Press to turn the buzzer signal "off";

"Continue" button

Press to return to the Level 1 or Level 1B Operator Menus so that operation can resume. This button should only be pressed when the problem is understood, and the remedy instructions have been followed. When the operator becomes familiar with the system, he will be able to remedy the problem without advancing to the help displays for instructions.

The following error messages may be displayed at some time during operation of the PAT1M/PAT1.5M System. By following the instructions on the display, the system will provide "Help" information to remedy the problem so that operation can resume. These messages and instructions will actually teach and assist the operator when a problem occurs. The nature of the problem, solution to the problem, and prevention of the problem are listed to reduce and possibly eliminate the error from occurring again. Specific instructions for the error messages and remedies to the problems are included below.

ERROR 1 - Out of ties or tie in dispenser

Out of ties or tie in dispenser		
Help	Buzzer	Continue

POSSIBLE CAUSE: This usually occurs if the dispenser has run out of cable ties, or if not enough cable ties are loaded into the dispenser, or if a cable tie is prevented from leaving the dispenser.

CORRECTIVE ACTION: Press the "**Buzzer**" button to turn the buzzer signal "off". If the reel is empty, press the "**Continue**" button, and then the "**MENU**" button, to bring up the "Reset" display. Press the "**Reset load**" button to bring up the "Load, Unload, Menu" display and perform the standard reloading procedure (Refer to the *Reloading Procedure* section on Page 9). If this message appears, and it is apparent that the reel is not empty, then the tool was cycled without enough cable ties loaded, or a cable tie was prevented from leaving the dispenser. A cable tie will remain in the dispenser due to little or no air pressure, or an obstruction. In all cases, disconnect the air hose and feeder hose from the dispenser. If a cable tie is in the connector block, and it can be removed; do so. If a cable tie is not seen, contact your maintenance department to prevent further complications. After the cable tie is removed, reconnect the air hose and the feeder hose to the dispenser. Press the "**Continue**" button, and then the "**MENU**" button, to bring up the "Reset" display. Press the "**Reset load**" button to bring up the "Load, Unload, Menu" display. Press the "**Load**" button to load at least one cable tie into the dispenser. Continue system operation.

PREVENTION: To prevent this problem from recurring, verify that the air pressure is between 65 and 85 PSIG (4,5 and 5,8 bar), with a maximum 10 PSI (0,7 bar) drop.

ERROR 2 - Cover is open, no tie loaded

Cover is open, no tie loaded			
Load	Unload	MENU	Buzzer

POSSIBLE CAUSE: This message will be displayed if the cover was open and the "Load" button was pressed or the tool was cycled.

CORRECTIVE ACTION: Press the "**Buzzer**" button to turn the buzzer signal "off". Close the cover. The rotary receiver will not advance unless the cover is closed. If the tool was cycled with the cover open, press the "**Load**" button to load one cable tie and resume operation. If the dispenser was being loaded, resume loading.

PREVENTION: Keep the cover closed.

ERROR 3 - Check for low air pressure

Check for low air pressure			
Load	Unload	MENU	Buzzer

POSSIBLE CAUSE: This message will be displayed if the incoming air pressure is too low, or not connected.

CORRECTIVE ACTION: Press the "**Buzzer**" button to turn the buzzer signal "off". Increase the air pressure to 65 PSIG (4,5 bar).

PREVENTION: To prevent this problem from recurring, verify that the air line is connected, and the air pressure is between 65 and 85 PSIG (4,5 and 5,8 bar), with a maximum 10 PSI (0,7 bar) drop.

ERROR 4 - Check for high air pressure

Check for high air pressure			
Load	Unload	MENU	Buzzer

POSSIBLE CAUSE: This message will be displayed if the incoming air pressure is too high.

CORRECTIVE ACTION: Press the "**Buzzer**" button to turn the buzzer signal "off". Decrease the air pressure to below 85 PSIG (5,8 bar).

PREVENTION: To prevent this problem from recurring, verify that the air pressure is between 65 and 85 PSIG (4,5 and 5,8 bar), with a maximum 10 PSI (0,7 bar) drop.

ERROR 5 - Dispenser jam - check tie loading

Dispenser jam - check tie loading			
Load	Unload	Buzzer	Continue

POSSIBLE CAUSE: This occurs if the dispenser rotary receiver is prevented from advancing (rotating) to the next position. This may be caused by a jam due to bowed or misaligned cable ties feeding into the rotary receiver, or a jam due to a backed-up cable tie carrier strip in the carrier strip exit chute.

CORRECTIVE ACTION: Press the "**Buzzer**" button to turn the buzzer signal "off". At this point, check the rotary receiver and connection block for misaligned or jammed cable ties, and check that the carrier strip scrap chute is clear. Press the "**Unload**" button to back the cable ties out until the jam and all remaining loose cable ties are cleared from the rotary receiver. Cut the excess carrier strip and any distorted or damaged cable ties from the cable tie strip. Close the dispenser cover and perform the normal loading procedure.

PREVENTION: To prevent this problem from recurring, load the dispenser with care to prevent misaligned cable ties in the rotary receiver, and empty the carrier strip scrap bin every 1/2 reel of cable ties.

ERROR 6 - Tie in tool

Tie in tool			
Help	Unload	Buzzer	Continue

POSSIBLE CAUSE: This occurs if the cable tie reaches the tool but is prevented from completing the cycle. This may be due to a large air pressure drop, too large of a bundle, improper feeder hose connections, an obstruction blocking the cable tie path, a severe bend or twist in the feeder hose, or the tool jaws are opened during the cycle.

CORRECTIVE ACTION: Remove the cable tie and any obstruction from the jaw area. Resume operation.

PREVENTION: To prevent this problem from recurring, verify that the feeder hose connections are secure and that there are no severe bends or twists in the feeder hose. Verify that the maximum bundle diameter does not exceed .82" (21 mm) for the PAT1M Tool, and 1.31" (33 mm) for the PAT1.5M Tool. Also, verify that the air pressure is between 65 and 85 PSIG (4,5 and 5,8 bar), with a maximum 10 PSI (0,7 bar) drop.

ERROR 7 - Tie in hose -- press air burst

Tie in hose - press air burst		
Help	Air burst	Buzzer

POSSIBLE CAUSE: This occurs if a cable tie is caught or remains in the feeder hose upon actuation. This may be caused by a severe bend or twist in the feeder hose, low air pressure, or an interrupted cycle. When this occurs, the tool cannot be cycled until the cable tie is cleared from the hose.

CORRECTIVE ACTION: Press the "**Buzzer**" button to turn the buzzer signal "off". To clear the cable tie from the feeder hose, straighten the hose to eliminate any bends or twists and point the tool away from yourself and others. Press the "**Air burst**" button to provide a burst of air to dislodge and advance the cable tie to the jaw area of the tool. The "**Air Burst**" button can be pressed again if the cable tie does not advance to the jaw area. When the cable tie is advanced to the tool jaw area, the "Tie in tool" message will appear and the buzzer will sound. Press the "**Buzzer**" button to turn the buzzer signal "off". Remove the cable tie from the jaw area and then press the "**Continue**" button. Press the "**Load**" button to load one cable tie into the dispenser and continue operation. (If "**Load**" does not appear, press the "**MENU**" button to bring up the "**Reset**" display. Press the "**Reset load**" button to bring up the "Load, Unload, Menu" display.) If the cable tie does not advance to the tool jaw area after depressing the "**Air Burst**" button several times, replace the feeder hose with another and notify your maintenance department.

PREVENTION: To prevent this problem from recurring, always prevent any severe bends or twists in the feeder hose, and verify that the air pressure is between 65 and 85 PSIG (4,5 and 5,8 bar), with a maximum 10 PSI (0,7 bar) drop.

ERROR 8 - Blocked hose - failed back pressure test

Blocked hose - failed back pressure test		
Help	Air burst	Buzzer

POSSIBLE CAUSE: The tool was actuated while there was still a cable tie or ties in the PHM Feeder Hose.

CORRECTIVE ACTION: Press the "**Buzzer**" button to turn the buzzer signal "off". To clear the cable ties from the feeder hose, straighten the hose to eliminate any bends or twists and point the tool away from yourself and others. Press the "**Air burst**" button to provide a burst of air to dislodge and advance the cable tie to the jaw area of the tool. The "**Air Burst**" button can be pressed again if the cable tie does not advance to the jaw area. When the cable tie is advanced to the tool jaw area, the "Tie in tool" message will appear and the buzzer will sound. Press the "**Buzzer**" button to turn the buzzer signal "off". Remove the cable tie from the jaw area and then press the "**Continue**" button. Press the "**Load**" button to load one cable tie into the dispenser and continue operation. If the cable tie does not advance to the tool jaw area after depressing the "**Air Burst**" button several times, replace the feeder hose with another and notify your maintenance department.

PREVENTION: If the "Tie in hose" error appears, ALWAYS make sure the cable tie is found (when pressing air burst) before resuming operation. Stay within recommended line pressures and remove any sharp bends in the feeder hose. DO NOT drop additional ties in hose to verify that the hose is clear. The additional tie will only make the problem worse.

ERROR 9 - Blocked or dirty exit sensor

Blocked or dirty exit sensor			
Help	Air burst	Buzzer	Continue

POSSIBLE CAUSE: This will occur if the exit (optical) sensor in the PDM Dispenser becomes obstructed due to a cable tie or excess debris (dirt, grime, etc.) on the lens. The cable tie will remain in the dispenser or the end of the PHM Feeder Hose that is attached to the dispenser. When this occurs, the tool cannot be actuated until the cable tie is cleared from the system or hose.

CORRECTIVE ACTION: Press the "**Buzzer**" button to turn the buzzer signal "off". Disconnect feeder hose from dispenser. Look for cable tie in dispenser connector block and remove cable tie, if present. Reconnect feeder hose, and resume operation. If the cable tie is not found, reconnect the feeder hose. Straighten the feeder hose to eliminate any bends or twists and point the tool away from yourself and others. Press the "**Air burst**" button to provide a burst of air to dislodge and advance the cable tie to the jaw area of the tool. The "**Air Burst**" button can be pressed again if the cable tie does not advance to the jaw area. When the cable tie is advanced to the tool jaw area, the "Tie in tool" message will appear and the buzzer will sound. Press the "**Buzzer**" button to turn the buzzer signal "off". Remove the cable tie from the jaw area and then press the "**Continue**" button. Press the "**Load**" button to load one cable tie into the dispenser and continue operation. (If "**Load**" does not appear, press the "**MENU**" button to bring up the "**Reset**" display. Press the "**Reset load**" button to bring up the "Load, Unload, Menu" display.) If the cable tie does not advance to the tool jaw area after depressing the "**Air Burst**" button several times, replace the feeder hose with another and notify your maintenance department.

PREVENTION: If this same error is repeated, the dispenser exit sensor lens may be cleaned with a cotton swab dampened with isopropyl alcohol. Disconnect the feeder hose from the dispenser and insert the dampened end of the cotton swab into the dispenser transfer tube about 1.5" (38 mm). Gently move the cotton swab in and out, against the top and bottom walls of the transfer tube, to clean the sensor.

ERROR 10 - Blocked or dirty tool sensor

Blocked or dirty tool sensor			
Help	Air burst	Buzzer	

POSSIBLE CAUSE: This will occur if the tool (optical) sensor in the tool becomes obstructed due to a cable tie or excess debris (dirt, grime, etc.) on the lens. The cable tie will remain in the tool or the end of the PHM Feeder Hose that is attached to the tool. When this occurs, the tool cannot be actuated until the cable tie is cleared from the tool or feeder hose.

CORRECTIVE ACTION: Press the "**Buzzer**" button to turn the buzzer signal "off". Disconnect feeder hose from tool. Look for cable tie in tool or tool end of hose and remove cable tie, if present. Reconnect feeder hose, and resume operation. If cable tie is not found, reconnect feeder hose. Straighten the feeder hose to eliminate any bends or twists and point the tool away from yourself and others. Press the "**Air burst**" button to provide a burst of air to dislodge and advance the cable tie to the jaw area of the tool. The "**Air Burst**" button can be pressed again if the cable tie does not advance to the jaw area. When the cable tie is advanced to the tool jaw area, the "Tie in tool" message will appear and the buzzer will sound. Press the "**Buzzer**" button to turn the buzzer signal "off". Remove the cable tie from the jaw area and then press the "**Continue**" button. Press the "**Load**" button to load one cable tie into the dispenser and continue operation. (If "**Load**" does not appear, press the "**Menu**" button to bring up the "**Reset**" display. Press the "**Reset load**" button to bring up the "Load, Unload, Menu" display.) If the cable tie does not advance to the tool jaw area after depressing the "**Air Burst**" button several times, replace the feeder hose with another and notify your maintenance department.

PREVENTION: If this same error is repeated, the tool sensor lens may require cleaning. Contact your maintenance department to have the tool sensor lens cleaned.

ERROR 11 - Tie stuck in exit sensor

Tie stuck in exit sensor		
Help	Air burst	Buzzer

POSSIBLE CAUSE: This will happen when the exit of the dispenser is blocked so that the cable tie cannot exit the dispenser. It may be blocked by a cable tie that was not removed from an earlier error, or from excess debris (dirt, grime, etc.) on the dispenser exit sensor lens. The cable tie has not exited the dispenser and must be removed before actuating the tool.

CORRECTIVE ACTION: Press the "**Buzzer**" button to turn the buzzer signal "off". Disconnect feeder hose from dispenser. Look for cable tie in dispenser connector block and remove cable tie, if present. Reconnect feeder hose, and resume operation. If cable tie is not found, reconnect feeder hose. Straighten the feeder hose to eliminate any bends or twists and point the tool away from yourself and others. Press the "**Air burst**" button to provide a burst of air to dislodge and advance the cable tie to the jaw area of the tool. The "**Air Burst**" button can be pressed again if the cable tie does not advance to the jaw area. When the cable tie is advanced to the tool jaw area, the "Tie in tool" message will appear and the buzzer will sound. Press the "**Buzzer**" button to turn the buzzer signal "off". Remove the cable tie from the jaw area and then press the "**Continue**" button. Press the "**Load**" button to load one cable tie into the dispenser and continue operation. (If "**Load**" does not appear, press the "**MENU**" button to bring up the "**Reset**" display. Press the "**Reset load**" button to bring up the "Load, Unload, Menu" display.) If the cable tie does not advance to the tool jaw area after depressing the "**Air Burst**" button several times, replace the feeder hose with another and notify your maintenance department.

PREVENTION: If this same error is repeated, the dispenser exit sensor lens may be cleaned with a cotton swab dampened with isopropyl alcohol. Disconnect the feeder hose from the dispenser and insert the dampened end of the cotton swab into the end of the strap tube about 1.5" (38 mm). Gently move the cotton swab in and out, against the top and bottom walls of the transfer tube, to clean the sensor.

ERROR 12 - Tie stuck in tool sensor

Tie stuck in tool sensor			
Help	Air burst	Buzzer	Continue

POSSIBLE CAUSE: This message appears when the cable tie advances to the tool sensor area of the tool and remains there. When this occurs, the tool will not actuate again until the cable tie is cleared from the tool.

CORRECTIVE ACTION: Press the "**Buzzer**" button to turn the buzzer signal "off". Disconnect feeder hose from tool. Look for cable tie in tool and remove cable tie, if present. Reconnect feeder hose, and resume operation. If cable tie is not found, reconnect feeder hose. Straighten the feeder hose to eliminate any bends or twists and point the tool away from yourself and others. Press the "**Air burst**" button to provide a burst of air to dislodge and advance the cable tie to the jaw area of the tool. The "**Air Burst**" button can be pressed again if the cable tie does not advance to the jaw area. When the cable tie is advanced to the tool jaw area, the "Tie in tool" message will appear and the buzzer will sound. Press the "**Buzzer**" button to turn the buzzer signal "off". Remove the cable tie from the jaw area and then press the "**Continue**" button.

Press the "**Load**" button to load one cable tie into the dispenser and continue operation. If the cable tie does not advance to the tool jaw area after depressing the "**Air Burst**" button several times, replace the feeder hose with another and notify your maintenance department.

PREVENTION: Always remove the cable tie from the jaw area of the tool if the cycle is not completed (cable tie did not wrap and tension around the bundle). Always have the air supply at the recommended pressure setting and avoid severe bends in the feeder hose.

ERROR 13 - Detent sensor blocked or dirty

Detent sensor blocked or dirty		
Help	Buzzer	Continue

POSSIBLE CAUSE: Most likely, the tip collector is too full. The detent sensor lens may be blocked by the detent cam, a foreign object, or the lens is dirty.

CORRECTIVE ACTION: Press the "**Buzzer**" button to turn the buzzer signal "off". Remove the cable tie from the jaw area of the tool and empty the tip collector. Press the "**Continue**" button and resume operation. If the error message appears again, notify your maintenance department.

PREVENTION: Always empty the tip collector before it is full (no more than 180 cycles). This will prevent debris from re-entering the tool because the tip collector is too full. Keeping the tip collector clear will allow the cable ties an area to exit the tool. The tool should also be cleaned periodically by your maintenance department.

ERROR 14 - Internal regulator incorrectly set, low

Internal regulator incorrectly set, low		
	MENU	Buzzer

POSSIBLE CAUSE: This error message appears if the PDM Dispenser internal regulator was adjusted incorrectly, or the dispenser piston is not fully shifting.

CORRECTIVE ACTION: Press the "**Buzzer**" button to turn the buzzer signal "off", and resume operation. If the message remains, the system will not operate. Write down the message and notify the maintenance department.

PREVENTION: Never adjust the PDM Dispenser internal regulator. Follow the maintenance schedule for regreasing the piston.

ERROR 15 - Internal regulator incorrectly set, high

Internal regulator incorrectly set, high		
	MENU	Buzzer

POSSIBLE CAUSE: This error message appears if the PDM Dispenser internal regulator was adjusted incorrectly.

CORRECTIVE ACTION: Press the "**Buzzer**" button to turn the buzzer signal "off", and resume operation. If the message remains, the system will not operate. Write down the message and notify the maintenance department.

PREVENTION: Never adjust the PDM Dispenser internal regulator.

FUNCTIONAL MESSAGES

Functional messages notify the operator about component malfunction and/or maintenance requirements. Like the error messages, the operator is alerted that an error has occurred by two types of signals: a buzzer signal (audible) and the dispenser display (visual). The dispenser display will indicate the possible problem that has occurred. Depending on the nature of the problem, the system may not become operational until the system is serviced.

Problem 1 - No exit sensor seen - service tool soon

No exit sensor seen - service tool soon
MENU Buzzer

POSSIBLE CAUSE: This message is displayed if there is a cable tie in the feeder hose at the time the tool is actuated (at the start of the cycle), or, if the dispenser exit sensor is not functioning properly.

CORRECTIVE ACTION: If this message appears, operation can be resumed immediately. If operation is resumed and the same message is displayed, the dispenser exit sensor may be dirty, or it may not be functioning properly.

PREVENTION: If this same error is repeated, the dispenser exit sensor lens may be cleaned with a cotton swab dampened with isopropyl alcohol. Disconnect the feeder hose from the dispenser and insert the dampened end of the cotton swab into the dispenser strap tube about 1.5" (38 mm) and gently move the cotton swab in and out, against the top and bottom walls of the strap tube. If the same error is repeated again, notify your maintenance department.

Problem 2 - Switch #X is stuck or broken

Switch #X is stuck or broken

POSSIBLE CAUSE: This message will appear if a switch (button #1, 2, 3, 4, or the trigger) is held down or stuck when the dispenser is turned "on". This message will also appear if one of these five switches has malfunctioned. The specific switch (button) that was held down or that has malfunctioned will be displayed at the beginning of the message.

CORRECTIVE ACTION: When this occurs, the message will disappear when the switch (button #1, 2, 3, 4, or the trigger) has been freed or released. If the "Switch #X is stuck or broken" message does not disappear, then the specific switch (button #1, 2, 3, 4, or the trigger) is bad. Contact your maintenance department to have the switch replaced.

PREVENTION: To prevent this problem from recurring, do not press or hold down any switches (button #1, 2, 3, 4, or the trigger) when turning the dispenser power "on".

Problem 3 - Restore past tool count

Restore past tool count?
Mem Off Yes No

POSSIBLE CAUSE: This message may appear if the tool counter is no longer functioning.

CORRECTIVE ACTION: Press the "Yes" button and resume operation.

PREVENTION: If the same error is repeated, press the "Mem off" button and resume operation. Notify your maintenance department.

STATUS 3 - Reset EEPROM

Reset EEPROM

STATUS 4 - Reset dispenser RAM

Reset dispenser RAM

STATUS 5 - Reset tool RAM




Reset tool RAM

MAINTENANCE**DAILY PREVENTIVE MAINTENANCE**

The following maintenance of the PAT1M/PAT1.5M System must be performed daily (as needed) to ensure optimum performance and trouble-free operation of the system.

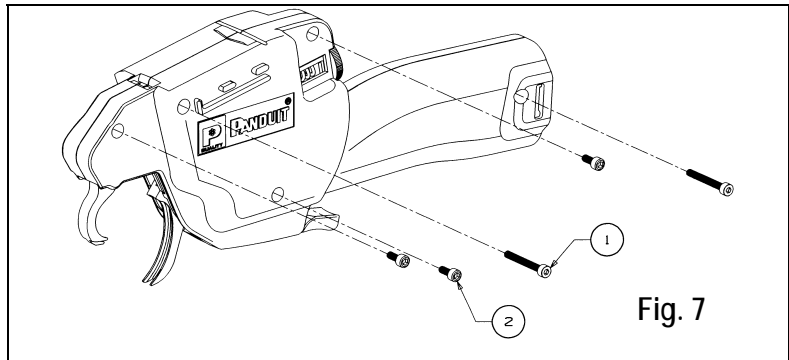
INTERVAL	MAINTENANCE PROCEDURE
No more than 180 cycles	Empty tool tip collector <u>before</u> full. (Refer to the <i>Tip Collector</i> section on Page 14.)
No more than 2500 cycles (= ½ cable tie reel)	Empty dispenser carrier strip scrap bin. (Refer to the <i>Reloading Procedure</i> section on Page 9.)

EXTENDED MAINTENANCE

	CAUTION: SAFETY GLASSES WITH SIDE SHIELDS MUST BE WORN AT ALL TIMES DURING THE MAINTENANCE OR ADJUSTMENT OF THE PAT1M / PAT1.5M TOOLS.
	CAUTION: ALWAYS DISCONNECT AIR SUPPLY FROM TOOL <u>BEFORE</u> DISASSEMBLY.
	CAUTION: ELECTROSTATIC SENSITIVE DEVICE. DO NOT OPEN OR HANDLE EXCEPT AT A STATIC FREE WORK STATION.

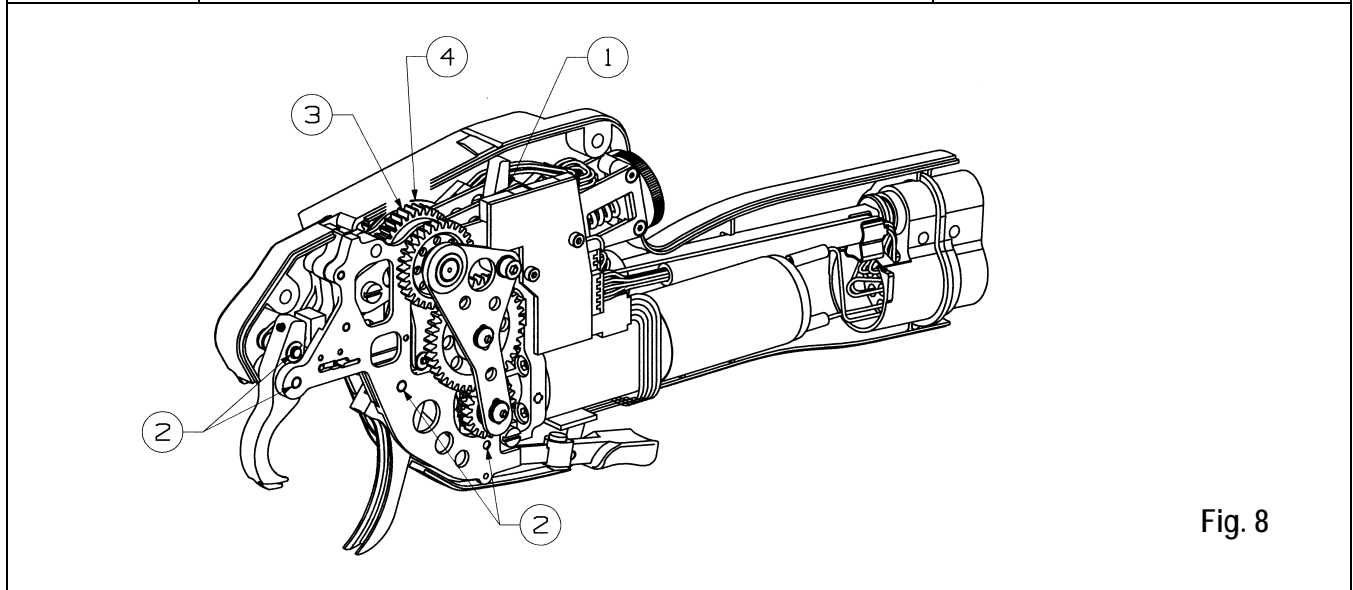
The following maintenance of the PAT1M/PAT1.5M System must be completed within the recommended intervals to ensure trouble-free operation and longevity of the system. Certain extended maintenance procedures must be performed by your maintenance department. Please notify your maintenance department when these specific maintenance intervals are reached.

1. Disconnect the PHM Feeder Hose from the PAT1M or PAT1.5M Tool. Remove the tip collector from the tool.
2. Place the tool on a table top with the jaws to the left. Using a 2.5 mm hex wrench, remove the 4 socket head cap screws from the left hand housing. Use a screwdriver to remove the tool holder bolt (3). Make note of the correct locations for each of the screws using Figure 7.
3. Perform the following maintenance procedures shown below at the prescribed interval:



ITEM	QTY	SIZE
1	2	M3 x 25
2	2	M3 x 8
3	1	Tool Holder Bolt

INTERVAL	MAINTENANCE PROCEDURE (See Figure 8 below)	LUBRICANT
Every 100 000 cycles	Clean tool housings and gears of debris (not shown). (Maintenance department must perform this procedure.)	N/A
	1. Lubricate detent cam follower. (Maintenance department must perform this procedure.)	General Purpose Light Machine Oil
	2. Clean and lubricate all pivots and shafts. (Maintenance department must perform this procedure.)	
	3. Oil shaft (1 drop) on each side of Gripper Drive Gear. (Maintenance department must perform this procedure.)	
	4. Clean and regrease the Cam on the Front Jaw Gear. (Maintenance department must perform this procedure.)	Schaeffer's Moly Ultra 800 EP PANDUIT Part # WS23132B01



4. Replace the left hand housing in position and fasten the left hand housing to the tool using the 4 socket head cap screws and 1 tool holder bolt (removed in Step 2). See Figure 7 (above) for the appropriate screw locations. Use a 2.5 mm hex wrench to torque the cap screws to 60 oz - in (0,42 Nm) and use a screwdriver to torque the tool holder bolt to 80 oz - in (0,57 Nm).
5. Replace tip collector and attach PHM Feeder Hose as required to resume operation.

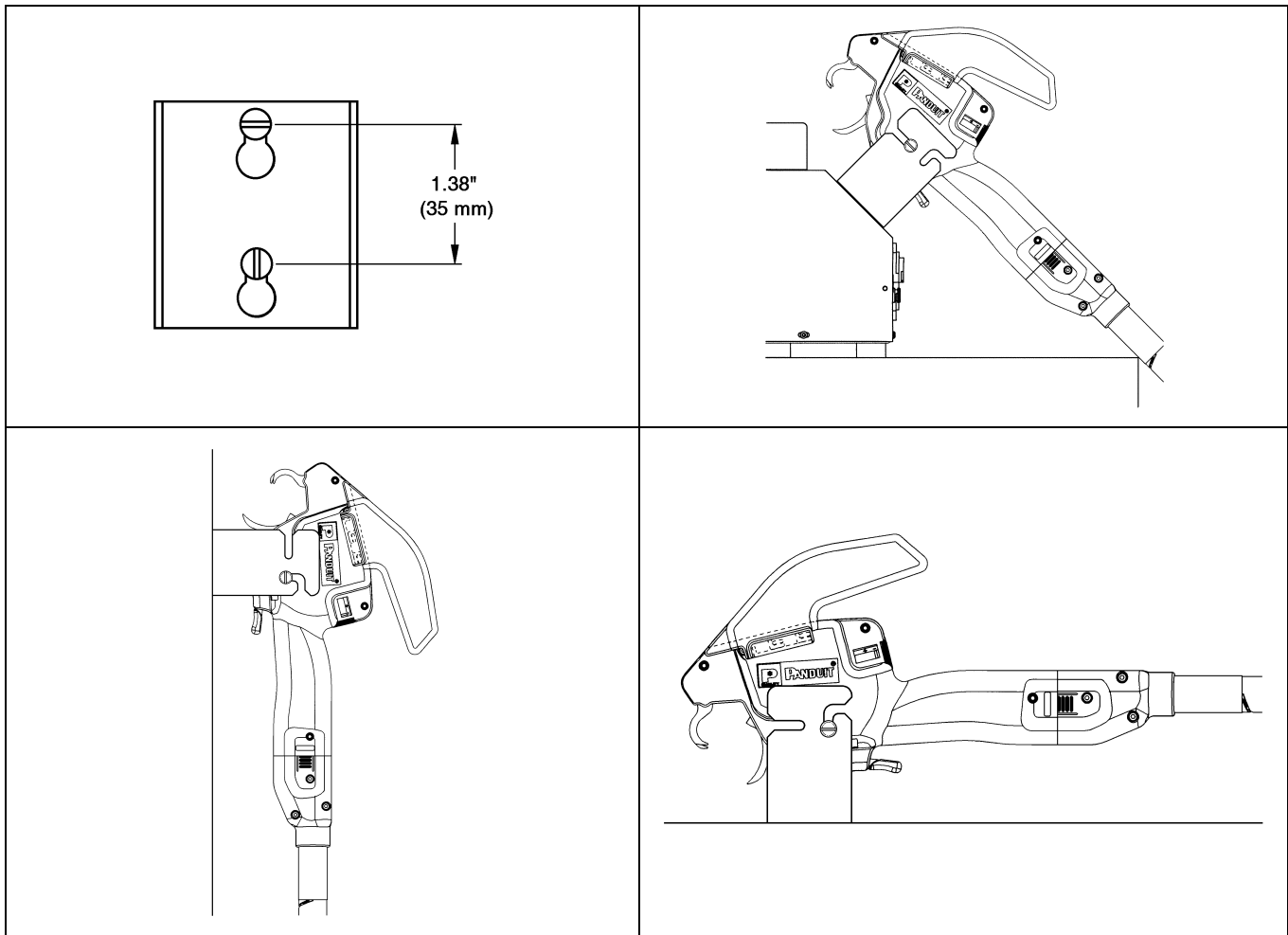
The following maintenance procedures may be required every 250,000 cycles or more. Contact your maintenance department as required to perform the following procedures at the prescribed intervals.

INTERVAL	UNIT	MAINTENANCE PROCEDURE
Every 250 000 cycles (=50 cable tie reels)	PAT1M PAT1.5M	Replace tool transfer tube, if worn. (Maintenance department must perform this procedure.)
Every 500 000 cycles (=100 cable tie reels)	PAT1M PAT1.5M	Clean tool sensor lens. (Maintenance department must perform this procedure.)
	PDM	Clean dispenser exit sensor lens. (Refer to <i>Cleaning the Dispenser Exit Sensor Lens</i> section below.)
		Clean and regrease piston and O-rings in connection block. Regrease worm gears. (Maintenance department must perform this procedure.)

CLEANING THE DISPENSER EXIT SENSOR LENS

Disconnect the PHM Feeder Hose from the PDM Dispenser. Dampen one end of a cotton swab with isopropyl alcohol and insert the dampened end of the cotton swab into the dispenser transfer tube about 1.5" (38 mm) and gently move the cotton swab in and out, against the top and bottom walls of the transfer tube until clean. Reconnect the feeder hose to the dispenser and resume operation.

TOOL HOLDER BRACKET MOUNTING



TROUBLESHOOTING

ERROR MESSAGE TROUBLESHOOTING

MESSAGE	POSSIBLE CAUSE	CORRECTIVE ACTION
Out of ties or tie in dispenser	<p>A. Reel empty; dispenser has run out of cable ties.</p> <p>B. Reel not empty; tool cycled without enough cable ties loaded, or cable tie prevented from leaving dispenser.</p>	<p>A. 1. Press "Buzzer" button to turn buzzer "off". 2. Press "Continue" button and then the "Menu" button to bring up the "Reset" display. 3. Press "Reset load" button to bring up the "Load, Unload, Menu" display and perform the standard reloading procedure.</p> <p>B. 1. Disconnect air hose and feeder hose from dispenser. 2. Remove cable tie from connector block, if present. If not, notify your maintenance department. 3. After cable tie is removed, reconnect air hose and feeder hose to dispenser. 4. Press "Continue" button and then the "Menu" button to bring up the "Reset" display. 5. Press "Reset load" button to bring up the "Load, Unload, Menu" display. 6. Press "Load" button to load one (1) cable tie and resume operation.</p>
Cover is open, no tie loaded	<p>A. Cover was open when "Load" button was pressed.</p> <p>B. Cover was open when tool was cycled.</p>	<p>A. 1. Press "Buzzer" button to turn buzzer "off". 2. Close the cover. 3. Resume loading procedure.</p> <p>B. 1. Press "Buzzer" button to turn buzzer "off". 2. Close the cover. 3. Press "Load" button to load one (1) cable tie and resume operation.</p>
Check for low air pressure	<p>A. Incoming air pressure is too low or not connected.</p> <p>B. Air is not connected to dispenser.</p>	<p>A. 1. Press "Buzzer" button to turn buzzer "off". 2. Set air pressure between 65 and 85 PSIG (4,5 and 5,8 bar), with a maximum 10 PSI (0,7 bar) drop.</p> <p>B. Connect air to dispenser.</p>
Check for high air pressure	Incoming air pressure is too high.	<p>1. Press "Buzzer" button to turn buzzer "off". 2. Set air pressure between 65 and 85 PSIG (4,5 and 5,8 bar), with a maximum 10 PSI (0,7 bar) drop.</p>
Dispenser jam - check tie loading	Dispenser rotary receiver did not advance (rotate) to the next position due to bowed or misaligned cable ties feeding into the rotary receiver, or due to a backed-up cable tie carrier strip in the carrier strip exit chute.	<p>1. Press "Buzzer" button to turn buzzer "off". 2. Check the rotary receiver and connection block for misaligned or jammed cable ties, and check that the carrier strip exit chute is clear. 3. Press "Unload" button to back the cable ties out until the jam and all remaining loose cable ties are cleared from the rotary receiver. 4. Cut the excess carrier strip and any distorted or damaged cable ties from the cable tie strip. 5. Close the dispenser cover and perform the standard loading procedure.</p>
Tie in tool	Cable tie reaches the tool but is prevented from completing the cycle due to a large air pressure drop, too large of a bundle, improper feeder hose connections, an obstruction blocking the cable tie path, a severe bend or twist in the feeder hose, or the tool jaws are opened during the cycle.	<p>1. Press "Buzzer" button to turn buzzer "off". 2. Remove cable tie and any obstruction from the jaw area. 3. Press the "Continue" button to resume operation. 4. Correct any conditions that prevent the cable tie cycle from being completed.</p>

MESSAGE	POSSIBLE CAUSE	CORRECTIVE ACTION
Tie in hose - press air burst	Cable tie is caught or remains in feeder hose upon actuation due to a severe bend or twist in the feeder hose, low air pressure, or an interrupted cycle.	<ol style="list-style-type: none"> 1. Press "Buzzer" button to turn buzzer "off". 2. Straighten feeder hose to eliminate any bends or twists, and point tool away from yourself and others. 3. Press "Air burst" button to dislodge and advance cable tie to jaw area of tool. Press several times, if necessary. When cable tie is advanced to jaw area, "Tie in tool" message will appear and buzzer will sound. 4. Press "Buzzer" button to turn buzzer "off". 5. Remove cable tie from jaw area and press the "Continue" button. 6. Press "Load" button to load one (1) cable tie and resume operation. 7. If the cable tie does not advance to the tool jaw area after depressing the "Air Burst" button several times, replace the feeder hose with another and notify your maintenance department.
Blocked hose - failed back pressure test	Tool was actuated while a cable tie (or ties) was still in the feeder hose.	Follow corrective action for "Tie in hose - press air burst" error above.
Blocked or dirty exit sensor	Exit (optical) sensor in the dispenser is obstructed due to a cable tie or excess debris (dirt, grime).	<ol style="list-style-type: none"> 1. Press "Buzzer" button to turn buzzer "off". 2. Disconnect feeder hose from dispenser. Look for cable tie in dispenser connector block and remove cable tie, if present.* Reconnect feeder hose, and resume operation. If cable tie is not found, reconnect feeder hose. Follow the same Corrective Action for "Tie in hose - press air burst" error to remove the cable tie from the system. 3. If the same error is repeated, clean the dispenser exit sensor lens (Refer to the <i>Cleaning the Dispenser Exit Sensor Lens</i> section on Page 26).
Blocked or dirty tool sensor	Tool (optical) sensor is obstructed due to a cable tie or excess debris (dirt, grime).	<ol style="list-style-type: none"> 1. Press "Buzzer" button to turn buzzer "off". 2. Disconnect feeder hose from tool. Look for cable tie in tool or tool end of hose and remove cable tie, if present. Reconnect feeder hose, and resume operation. If cable tie is not found, reconnect feeder hose. Follow the same Corrective Action for "Tie in hose - press air burst" error to remove the cable tie from the system. 3. If the same error is repeated, the tool sensor lens may require cleaning. Contact your maintenance department to have the tool sensor lens cleaned.
Tie stuck in exit sensor	The dispenser exit sensor is blocked so that a cable tie cannot exit the dispenser. It may be blocked by another cable tie that was not removed from an earlier cycle.	<ol style="list-style-type: none"> 1. Press "Buzzer" button to turn buzzer "off". 2. Disconnect air hose and feeder hose from dispenser. Look for cable tie in dispenser connector block and remove cable tie, if present.* Reconnect air hose and feeder hose, and resume operation. If cable tie is not found, reconnect air hose and feeder hose. Follow the same Corrective Action for "Tie in hose -press air burst" error to remove the cable tie from the system. 3. If the same error is repeated, clean the dispenser exit sensor lens (Refer to the <i>Cleaning the Dispenser Exit Sensor Lens</i> section on Page 26).
Tie stuck in tool sensor	Cable tie has stopped in the tool sensor area of tool.	<ol style="list-style-type: none"> 1. Press "Buzzer" button to turn buzzer "off". 2. Follow corrective action for "Blocked or dirty tool sensor" error above.
Detent sensor blocked or dirty	Tip collector full. Detent sensor blocked by detent cam, foreign object, or detent sensor lens is dirty.	<ol style="list-style-type: none"> 1. Press "Buzzer" button to turn buzzer "off". 2. Remove cable tie from jaw area of tool. 3. Press the "Continue" button and resume operation. 4. If message reappears, notify maintenance department.
Internal regulator incorrectly set, low	Internal regulator was adjusted incor-rectly, or the piston is not fully shifting.	<ol style="list-style-type: none"> 1. Press "Buzzer" button to turn buzzer "off" and resume operation. 2. If message remains, system will not operate. Write down message and notify maintenance department.
Internal regulator incorrectly set, high	Internal regulator was adjusted incorrectly.	

*If the cable tie does not come out freely, turn the dispenser "off" and then "on" again, to reset the rotary receiver's position.

FUNCTIONAL MESSAGE TROUBLESHOOTING

MESSAGE	POSSIBLE CAUSE	CORRECTIVE ACTION
No exit sensor seen - service tool soon	Cable tie in feeder hose when tool was actuated or dispenser exit sensor is not functioning properly.	<ol style="list-style-type: none"> Resume operation. If the same error is repeated, the exit sensor lens may be dirty, or it may not be functioning properly. Clean the exit sensor lens (Refer to the <i>Cleaning the Dispenser Exit Sensor Lens</i> section on Page 26). If the same error is repeated, notify your maintenance department.
Switch #X is stuck or broken	A switch (button #1, 2, 3, 4, or the trigger) was held down or was stuck when the dispenser was turned "on". This message will remain if one of these five switches has malfunctioned.	<ol style="list-style-type: none"> The message will disappear when the switch (button #1, 2, 3, 4, or the trigger) has been freed or released. If the message does not disappear, then the specific switch (button #1, 2, 3, 4, or the trigger) is bad. Contact your maintenance department to have the switch replaced.
Restore past tool count?	Tool counter is not functioning correctly.	<ol style="list-style-type: none"> Press the "Yes" button and resume operation. If the same error is repeated, notify your maintenance department.
Jaw sensor error	Cable tie stopped in tool gears.	<ol style="list-style-type: none"> Press "Buzzer" button to turn buzzer "off". Remove the cable tie from the jaw area. Press the "Continue" button and resume operation.
System error #X	See Page 23.	See Page 23.

CABLE TIE INSTALLATION TROUBLESHOOTING

SYMPTOM	POSSIBLE CAUSE	CORRECTIVE ACTION
Cable tie too loose on bundle.	<ol style="list-style-type: none"> Tool tension setting is too low. Operator holding tool at angle to bundle. Bundle exceeds .82" (21 mm) / 1.31" (33 mm) in diameter. Tool is held away from bundle by previously installed tie, harness support, or other object on bundle. Tool is pulled on as the tie is being tensioned. 	<ol style="list-style-type: none"> Increase tool tension setting. Hold tool perpendicular to bundle in both directions. Dress the wires to result in a more compact bundle for the specific tool being used. Do not install cable ties too close to other cable ties, harness supports or other objects on bundle. Allow tool to seek its own position as the tie is being tensioned.
Cable tie too tight on bundle.	Tool tension setting is too high.	Decrease tool tension setting.
Cable tie not cut off flush to head.	<ol style="list-style-type: none"> Tool tension setting too high for humidity conditions. Operator holding tool at angle to bundle. Tool is pulled on as the tie is being tensioned. Tool is held away from bundle by previously installed tie, harness support or other object on bundle. 	<ol style="list-style-type: none"> Decrease tool tension setting. Hold tool perpendicular to bundle in both directions. Allow tool to seek its own position as the tie is being tensioned. Do not install cable ties too close to other cable ties, harness supports or other objects on bundle.
Cable tie does not stay on bundle.	<ol style="list-style-type: none"> Bundle exceeds .82" (21 mm) / 1.31" (33 mm) in diameter. Cable ties are too dry and brittle. Tool tension setting is too high. Incoming air pressure is too high. 	<ol style="list-style-type: none"> Dress the wires to result in a more compact bundle for the specific tool being used. Store cable ties properly and use before expiration date. Decrease tool tension setting. Set air pressure between 65 and 85 PSIG (4,5 and 5,8 bar), with a maximum 10 PSI (0,7 bar) drop.
Misfeed; cable tie cycle was not completed	<ol style="list-style-type: none"> Cable tie path was blocked; bundle against jaw tie track. Air pressure is not set correctly. 	<ol style="list-style-type: none"> DO NOT place bundle forcefully against jaw tie track. Verify that air pressure is at 65 PSIG (4,5 bar) (minimum). Air pressure can be increased by 5 PSI (0,35 bar) increments until cable ties feed properly. Do not exceed 85 PSIG (5,8 bar) (maximum).

"QUICK REFERENCE" MENUS

OPERATOR MENUS

OPENING MENU

Panduit	rX.X
Tool is ready	

Appears for 5 seconds

LEVEL 1 - Operator Menu ("Load, Unload, Menu" Display)

Loads:14	XXXXXXX	
Load	Unload	MENU

BUTTON 1 - Loads one cable tie
BUTTON 2 - Unloads one cable tie
BUTTON 3 - Brings up LEVEL 2
BUTTON 4 - Inactive

LEVEL 1B – Loading commands disappear

XXXXXXX
MENU

Appears after tool is actuated one or more times

LEVEL 2 - Load and Counter Reset Menu ("Reset" Display)

Resets load and/or counter		
Reset Ld	Reset Ct	Exit

BUTTON 1 - Resets Load counter
BUTTON 2 - Resets install. tie counter
BUTTON 3 - Inactive
BUTTON 4 - Returns to LEVEL 1

SETUP MENUS

LEVEL 2 - SETUP MENU ACCESS

Resets load and/or counter		
Reset Ld	Reset Ct	Exit

1. Press BUTTON 3, two times
2. Press BUTTON 1, one time
3. Brings up LEVEL 3

LEVEL 3 - Total Counts Menu

Shows total counts			
Counters	Escape	MENU	Exit

BUTTON 1 - Brings up LEVEL 3A
BUTTON 2 - Returns to LEVEL 1 or 1B
BUTTON 3 - Brings up LEVEL 4
BUTTON 4 - Returns to LEVEL 2

LEVEL 3A - Dispenser and Tool Counts

PDM	# XXXXXX	Rev X.X	Cycles: XXXXXX
PAT1M	# XXXXXX		Cycles: XXXXXX

BUTTON 1 - Inactive
BUTTON 2 - Inactive
BUTTON 3 - Inactive
BUTTON 4 - Returns to LEVEL 3

LEVEL 4 - Chopper Cut Cycle Menu

Turn chopper on/off			
Chopper	Escape	MENU	Exit

BUTTON 1 - Brings up LEVEL 4A
BUTTON 2 - Returns to LEVEL 1 or 1B
BUTTON 3 - Brings up LEVEL 5
BUTTON 4 - Returns to LEVEL 3

LEVEL 4A - Current Chopper Cutting Cycle

Chopper is - On	
On	Off
	Exit

BUTTON 1 - Turns chopper "on"
BUTTON 2 - Turns chopper "off"
BUTTON 3 - Inactive
BUTTON 4 - Returns to LEVEL 4

LEVEL 5 - Line Pressure Menu

View line pressure	
Pressure	Escape
	Menu
	Exit

BUTTON 1 - Brings up LEVEL 5A
BUTTON 2 - Returns to LEVEL 1 or 1B
BUTTON 3 - Brings up LEVEL 6
BUTTON 4 - Returns to LEVEL 4

LEVEL 5A - Min./Max. Pressure Readings

XX PSI	MIN: XX PSI	MAX: XX PSI
BAR/PSI	Clear	Exit

BUTTON 1 - Select unit of measure
BUTTON 2 - Clears present readings
BUTTON 3 - Inactive
BUTTON 4 - Returns to LEVEL 5

LEVEL 6 - Language Menu

Set language	
Language	Escape
	Exit

BUTTON 1 - Brings up LEVEL 6A
BUTTON 2 - Returns to LEVEL 1 or 1B
BUTTON 3 - Inactive
BUTTON 4 - Returns to LEVEL 5

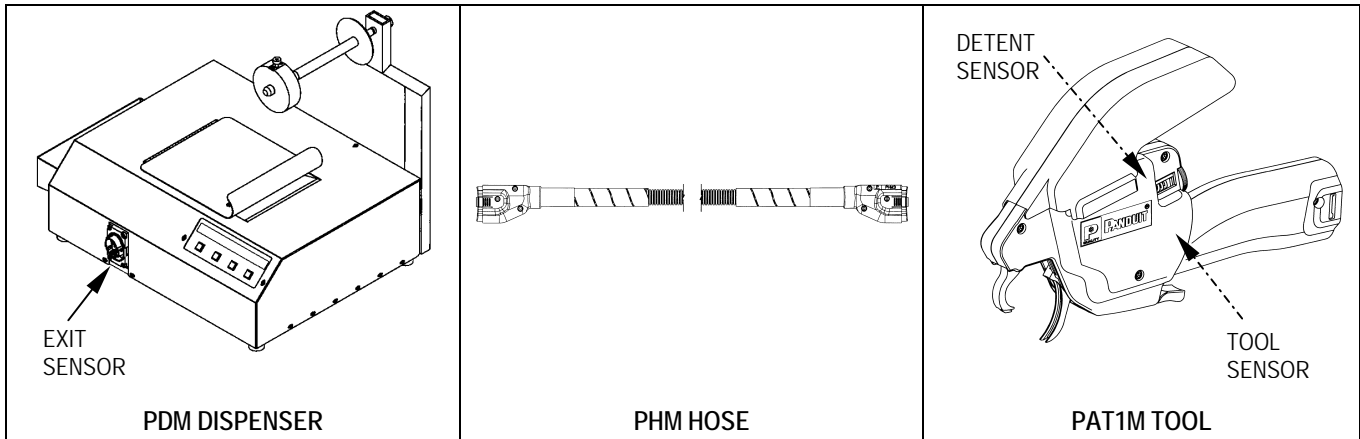
LEVEL 6A - Current Language Selected

English	
↑	↓
	Select

BUTTON 1 - Scrolls "UP"
BUTTON 2 - Scrolls "DOWN"
BUTTON 3 - Inactive
BUTTON 4 - Select/Return to LEVEL 6

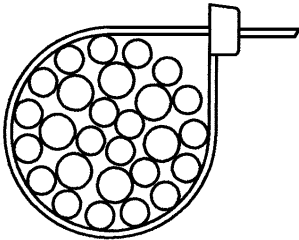
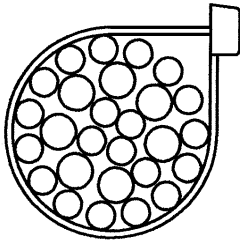
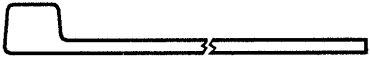
LANGUAGE CHOICES: English, Deutsch, Française, Italiana, Español,
Danske, Svenska, Ěeský, Nederlandse, Suomen, Norsk

"ERROR MESSAGE" ADDENDUM



Error Message	Corrective Action
1. Tie in Tool	a. Remove cable tie and continue
	b. If this happens often, change hose ends
	c. If problem persists after changing hose end, contact Maintenance Department
2. Out of ties, or Tie in Dispenser	a. Press "Buzzer" button, then "Continue" button
	b. If Out of Ties, get a new reel and load
	c. If not out of ties, press "Load" button once and continue
	d. If problem persists, contact Maintenance
3. Tie in Hose - Press "Air Burst"	a. Press "Buzzer" button, then "Air Burst" button, remove cable tie from jaws of tool. Press "Menu" button, Press "Reset Load" button, Press "Load" button once, and continue.
	b. If problem persists, contact Maintenance Department
4. Blocked or Dirty Tool Sensor, or Tie Stuck in Tool Sensor	a. Press "Buzzer" button, then "Air Burst" button, remove cable tie from jaws of tool. Press "Menu" button, Press "Reset Load" button, Press "Load" button once, and continue.
	b. If cable tie is difficult to remove, contact Maintenance Department. (Note: Tool damage may occur by trying to pry out cable tie to remove.)
5. Blocked or Dirty Exit Sensor, or Tie Stuck in Exit Sensor	a. Press "Buzzer" button, then "Air Burst" button, remove cable tie from jaws of tool. Press "Menu" button, Press "Reset Load" button, Press "Load" button once, and continue.
	b. If cable tie doesn't come out, remove Hose from Dispenser. Remove cable tie sticking out of Dispenser by pulling lightly on it. Press "Menu" button, Press "Reset Load" button, Press "Load" button once, and continue.
	c. If cable tie is stuck (don't pull on it with pliers); or if no cable tie is present, contact Maintenance Department.

Error Message	Corrective Action
<p>6. Dispenser Jam - Check Tie Loading</p>	<p>a. Press “Buzzer” button, open Dispenser door, Press “Unload” button while pulling back lightly on strip of cable ties until all cable ties are removed. Cut off bad cable ties and reload.</p> <p>b. If having trouble clearing jam, contact Maintenance Department. (Note: Don’t pry on white plastic roller; will cause damage.</p>
<p>7. Jaw Sensor Error</p>	<p>Contact Maintenance Department</p>
<p>8. Detent Sensor Blocked or Dirty</p>	
<p>9. Blocked Hose - Failed Back Pressure Test</p>	

CABLE TIE CONDITION FACTORS		
		
<p>INCORRECT CABLE TIE CUT-OFF (Long cut-off / tail)</p> <ul style="list-style-type: none"> • Cable ties are too moist (due to high humidity) - Turn down tension until correct cut-off occurs. 	<p>CORRECT CABLE TIE CUT-OFF</p>	<p>CABLE TIE DETACHES FROM BUNDLE</p> <ul style="list-style-type: none"> • Cable ties are too brittle (due to dry conditions) - Take new reel of ties out of original bag. - Place new ties on PDM. - Place used reel in bag with damp paper towel or sponge to recondition.

"TIE IN TOOL" ADDENDUM**Turning new "Tie in Tool" feature "ON" or "OFF"****Level 1 - Operator Menu ("Load, Unload, Menu" Display)**

Loads: 14	XXXXXXXX
Load Unload MENU	

From either of these screens,
Press the MENU button

Level 1B - Loading commands disappear

XXXXXXXX
MENU

Level 2 - SETUP MENU ACCESS

Resets load and/or counter	XXXXXXXX
Reset Ld Reset Ct	Exit

1. Press BUTTON 3, two times
 2. Press BUTTON 1, one time
 3. Brings up Level 3
- (Note: Count buttons from left to right)

Level 3 - Total Counts Menu

Shows total counts	XXXXXXXX
Counters Escape MENU	Exit

Press the COUNTERS button

LEVEL 3A - Dispenser and Tool Counts

PDM # XXXXXX	Rev X.X	Cycles: XXXXXXXX
PAT1M # XXXXXX		Cycles: XXXXXXXX

1. Press BUTTON 3, two times
2. Press BUTTON 2, two times
3. Press BUTTON 3, one time
4. Then press BUTTON 4 to exit
5. Then press ESCAPE button from Level 3 menu (above)

If "Tie in Tool" feature is turned "ON" and you want to turn it "OFF", just repeat this process.

ERROR 6 - Tie in Tool

Tie in Tool	MENU	Buzzer
-------------	------	--------

PDM Software, Revision 0.8 or higher

POSSIBLE CAUSE: This occurs if the cable tie reaches the tool, but is prevented from completing the cycle. This may be due to a large air pressure drop, too large of a bundle; improper feeder hose connections, an obstruction blocking the cable tie path; a severe bend or twist in the feeder hose, or the tool jaws are opened during the cycle.

CORRECTIVE ACTION: Remove the cable tie and any obstruction from the jaw area. Resume operation.

PREVENTION: To prevent this problem from recurring, verify that the feeder hose connections are secure and that there are no severe bends or twists in the feeder hose. Verify that the maximum bundle diameter does not exceed .82" (21mm) for the PAT1M Tool; and 1.31" (33mm) for the PAT1.5M Tool. Also, verify that the air pressure is between 65 and 85 PSIG (4,5 and 5,8 bar), with a maximum 10 PSI (0,7 bar) drop.

NOTE: PDM with software revision earlier than Revision 0.8 (visible on display for 5 seconds during power "ON"), require the following operator corrective action: (same possible cause and prevention apply).

Tie in Tool Help

Buzzer

Continue

PDM Software, Revision 0.7 or lower

CORRECTIVE ACTION: Press the BUZZER button to turn the buzzer signal "OFF". Remove the cable tie and any obstruction from the jaw area and verify the head is clear. Press the CONTINUE button to resume operation.