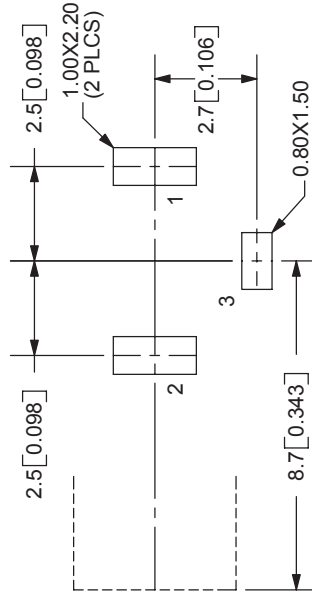
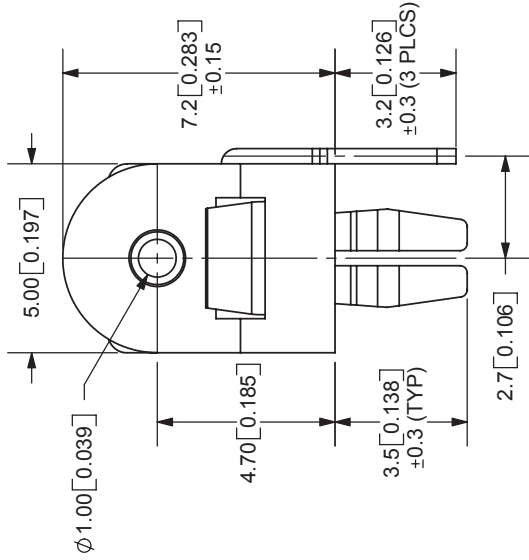
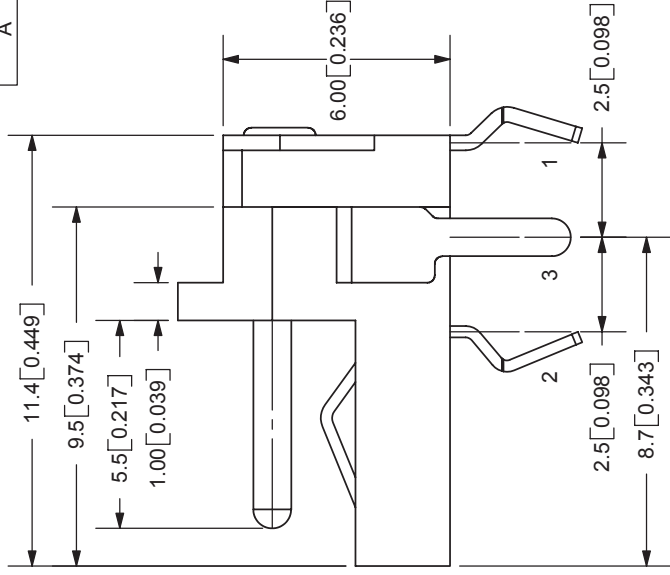
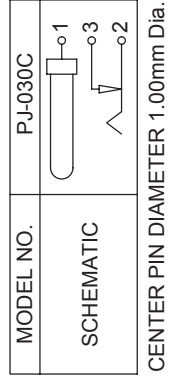


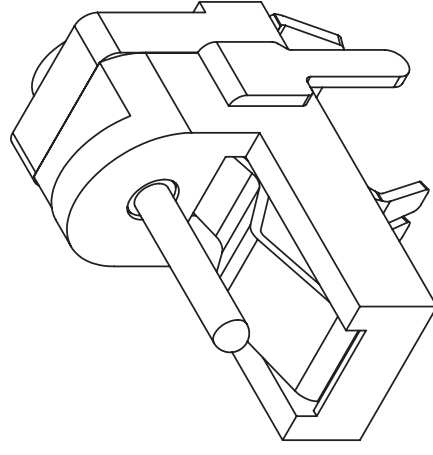
|      |             |           |
|------|-------------|-----------|
| REV. | DESCRIPTION | DATE      |
| A    | NEW DRAWING | 7/30/2007 |



**SPECIFICATIONS:**  
 RATING: 16V DC @ 2A  
 CONTACT RESISTANCE: 50m OHMS MAX  
 INSULATION RESISTANCE: 100M OHMS MIN: 500V DC  
 VOLTAGE WITHSTAND: 500V AC R.M.S. FOR 1 MINUTE  
 LIFE: 5,000 CYCLES  
 OPERATING TEMP: -25° ~ +85°C



| CENTER PIN | MATERIAL     | PLATING |
|------------|--------------|---------|
| TERMINAL 1 | Copper       | Nickel  |
| TERMINAL 2 | Brass        | Tin     |
| TERMINAL 3 | Copper Alloy | Tin     |
| BODY       | Brass        | Tin     |
|            | PBT          |         |



TOLERANCE:  
 X.X±0.2mm  
 X.XX±0.1mm  
 X.XXX±0.05mm



20050 SW 112th Ave.  
 Tualatin, OR 97062  
 Phone: 503-612-2300  
 800-275-4899  
 Fax: 503-612-2383  
 Website: www.cui.com

|           |               |              |             |
|-----------|---------------|--------------|-------------|
| TITLE:    | DC POWER JACK | REV:         | A           |
| PART NO:  | PJ-030C       | UNITS:       | MM [INCHES] |
| DRAWN BY: | ZRJ           | APPROVED BY: |             |
|           |               | SCALE:       | 5:1         |